



European Siding System Windows Installation Guide

v20220508US

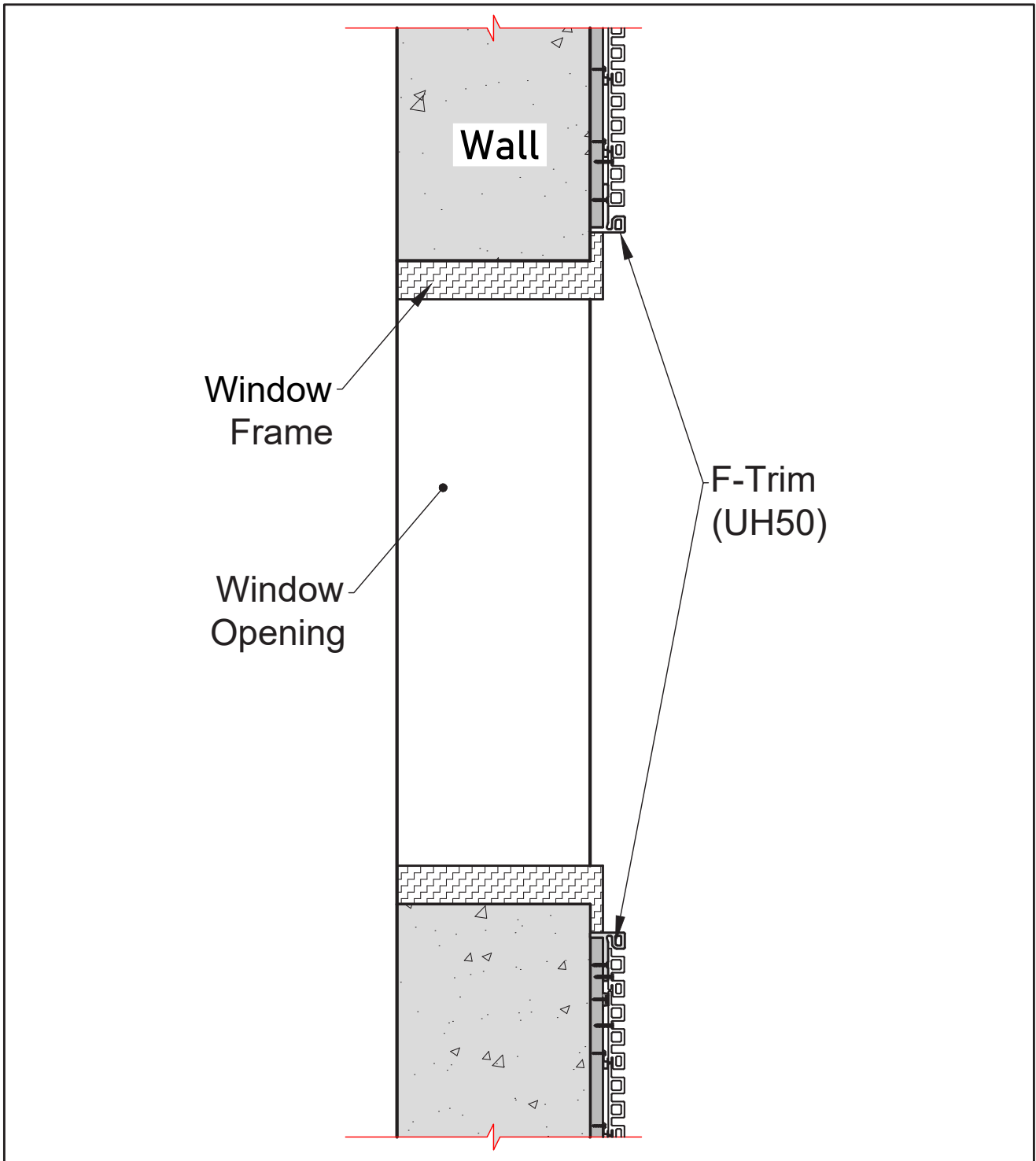


CONTENTS

Introduction	4
Installing the Furring Strips	5 - 7
Installing the trims around the window frame	8 - 10
Installing the boards	11 - 26

Window Reveals Installation

Use the F-Trim UH50, picture framing the the window, as shown below,



- 1 Fix the furring strips onto the wall according to the span data specified on [page Furring Strips Installation](#), of this installation guide.

It is necessary to install two furring strips width of at least 3 15/16" (100 mm) next to the sides of the window frame for the horizontal installation or against the window head and the windowsill for the vertical installation. And the length should be longer than the window frame in a min of 3 1/8" (80 mm), as shown in [Diagram 1-1](#) (Horizontal Installation) and [Diagram 1-2](#) (Vertical Installation).

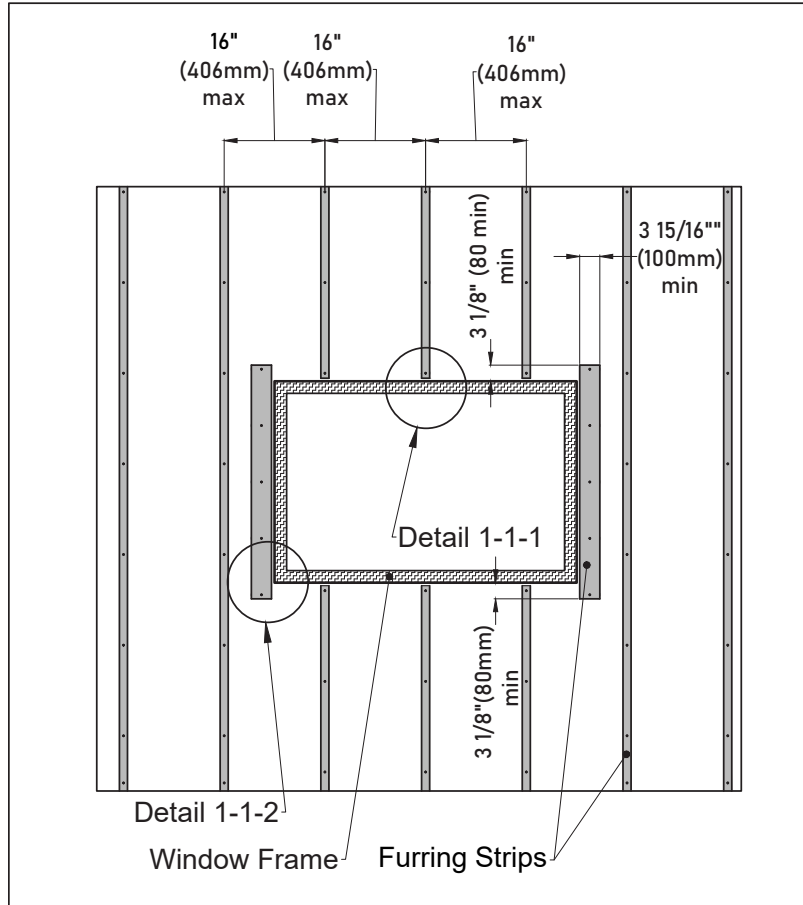
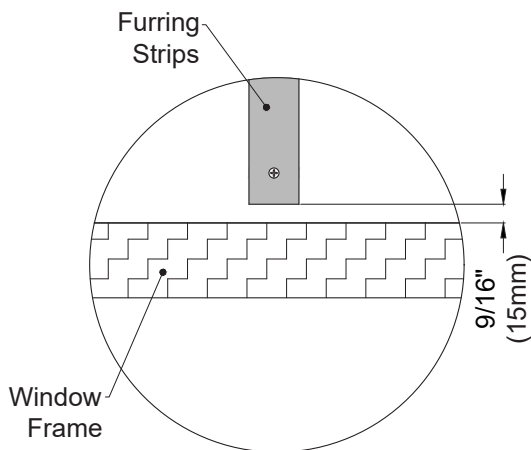
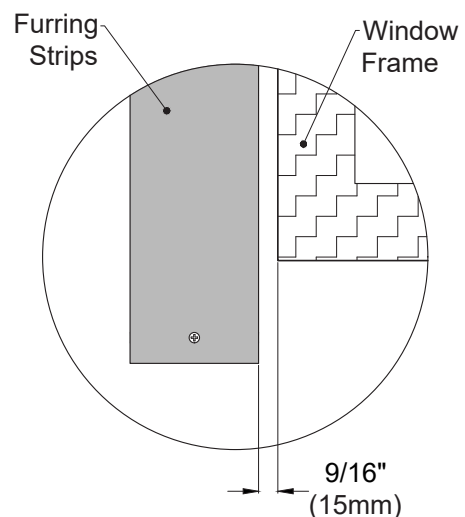


Diagram 1-1

For Siding Horizontal Installation



Detail 1-1-1



Detail 1-1-2

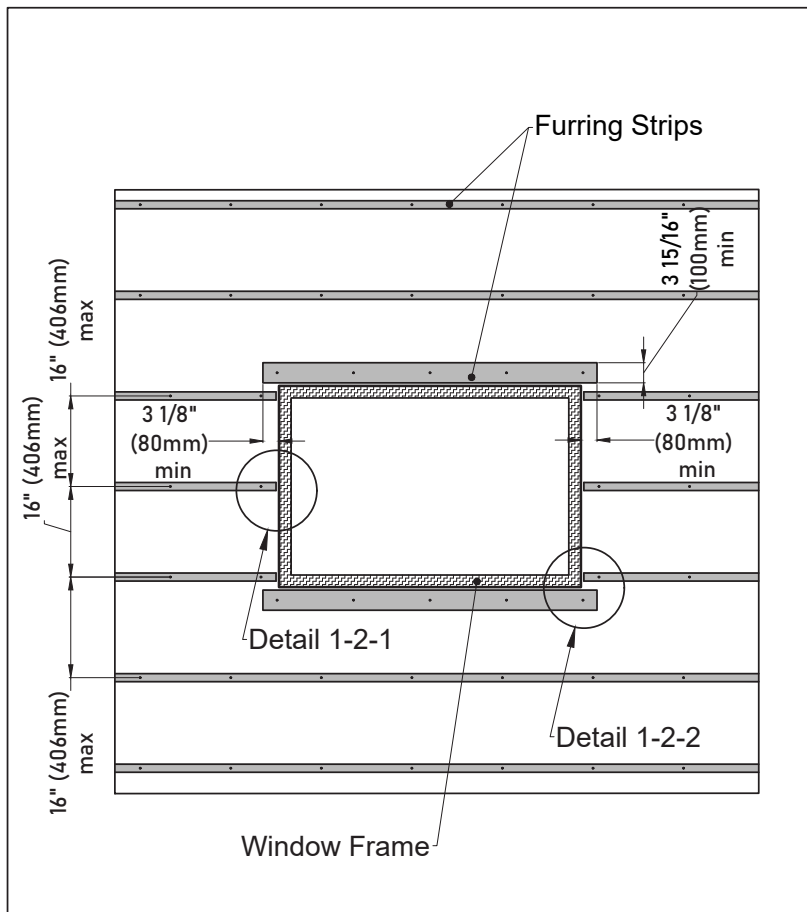
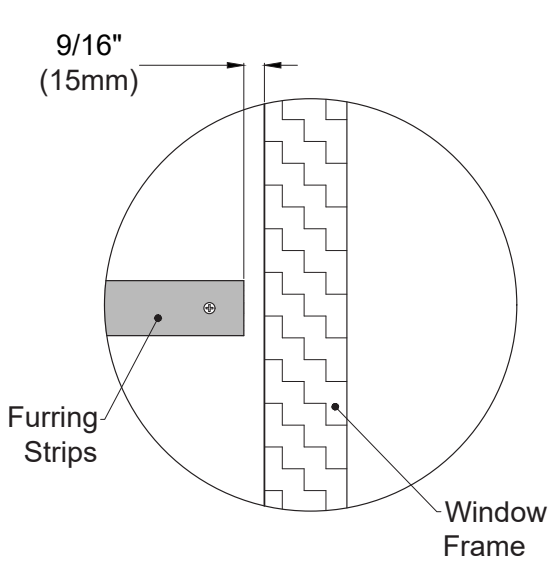
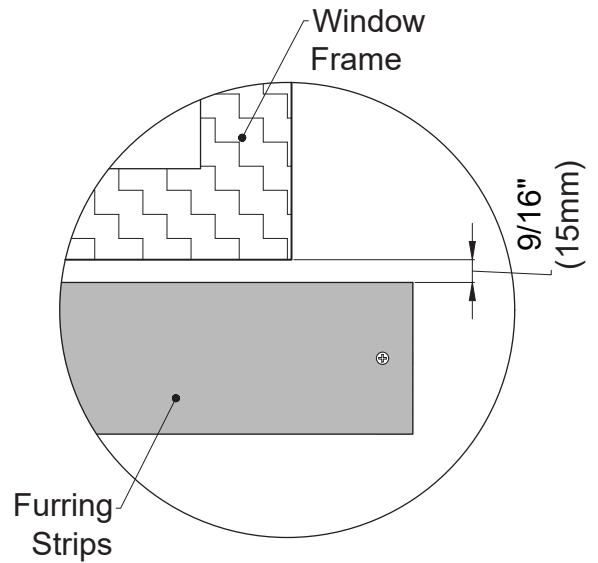


Diagram 1-2

For Siding Vertical Installation



Detail 1-2-1



Detail 1-2-2

- 2 Measure the width and the height of the window frame, as shown in **Diagram 2-1** (Horizontal Installation) and **Diagram 2-2** (Vertical Installation).

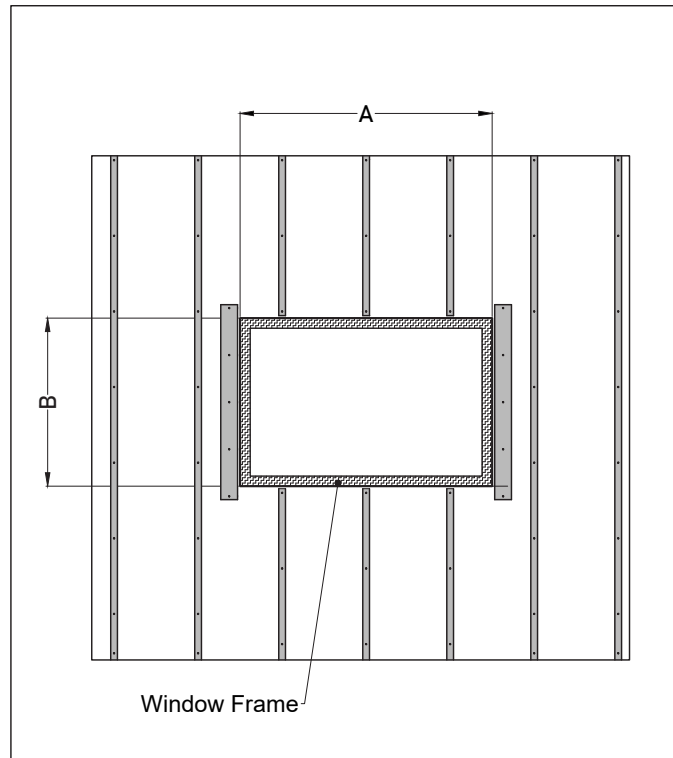


Diagram 2-1
For Siding Horizontal Installation

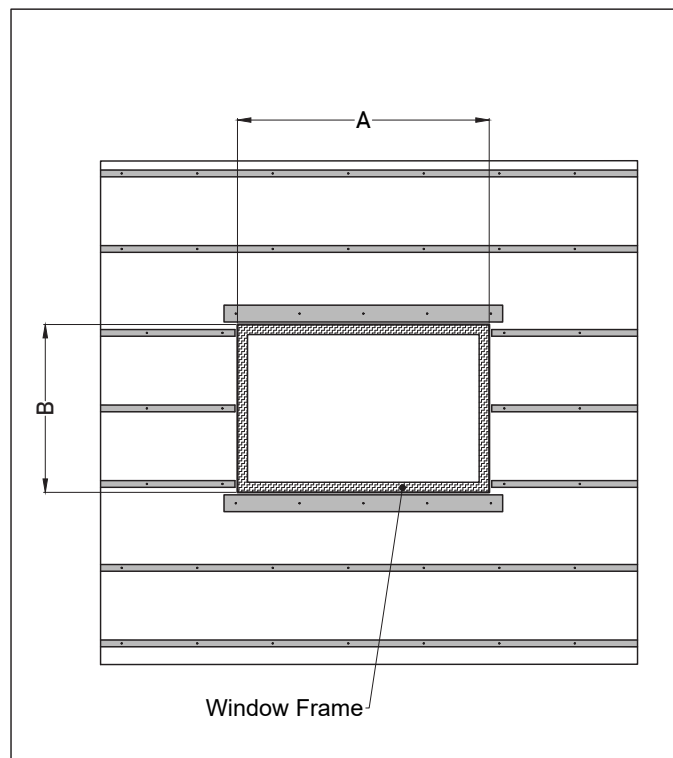


Diagram 2-2
For Siding Vertical Installation

3 Mitre cut the F-Trim (UH50) according to the measurement, as shown in **Diagram 3**.

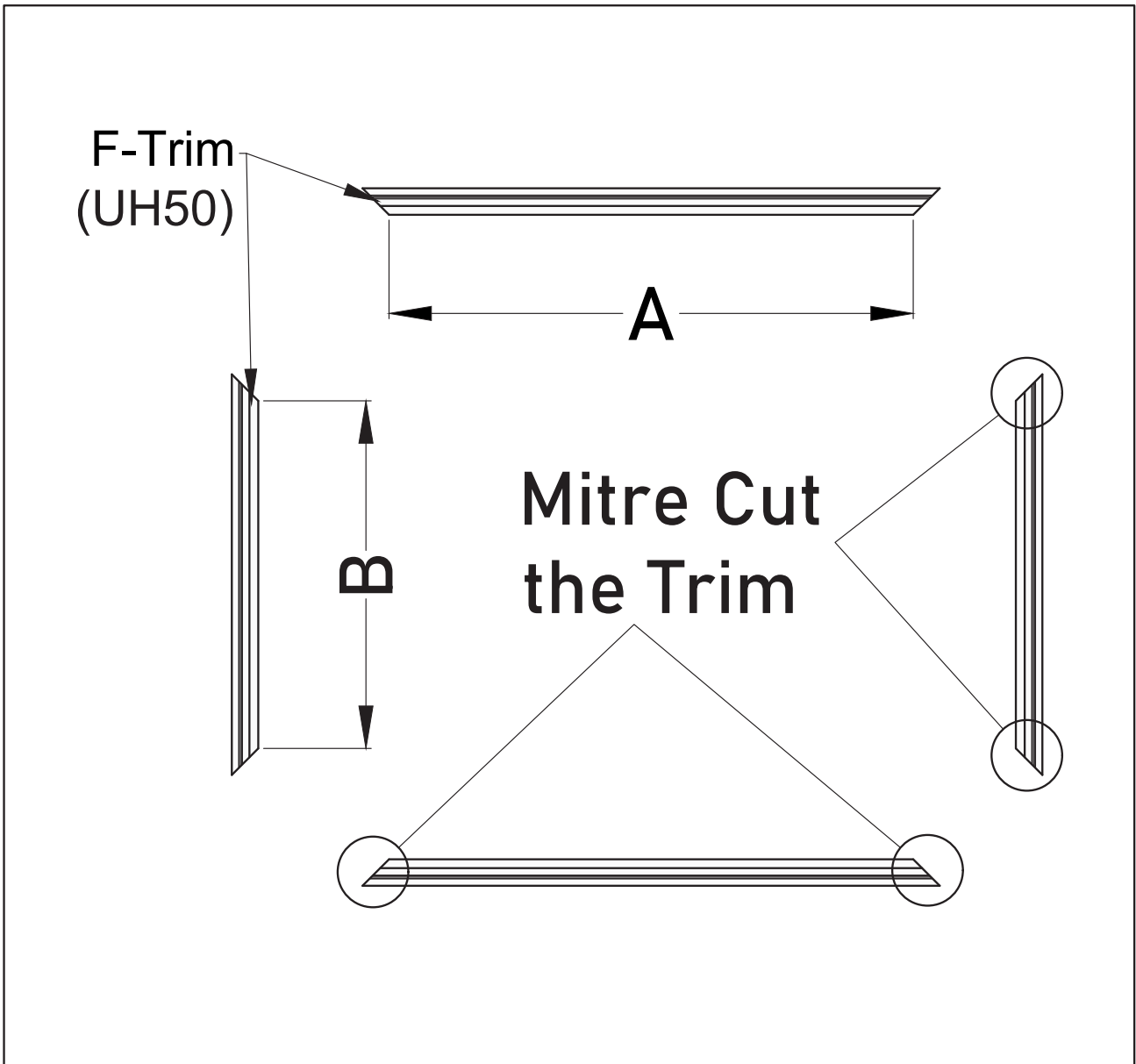


Diagram 3

- 4 Secure the mitre cut End-trims onto the furring strips with screws in the max distance of 19 11/16" (500 mm) on center, picture framing the window.

Siding Horizontal Installation, as shown in **Diagram 4-1**, **Detail 4-1-1**, and **Detail 4-1-2**.
Siding Vertical Installation, as shown in **Diagram 4-2**, **Detail 4-2-1**, and **Detail 4-2-2**.

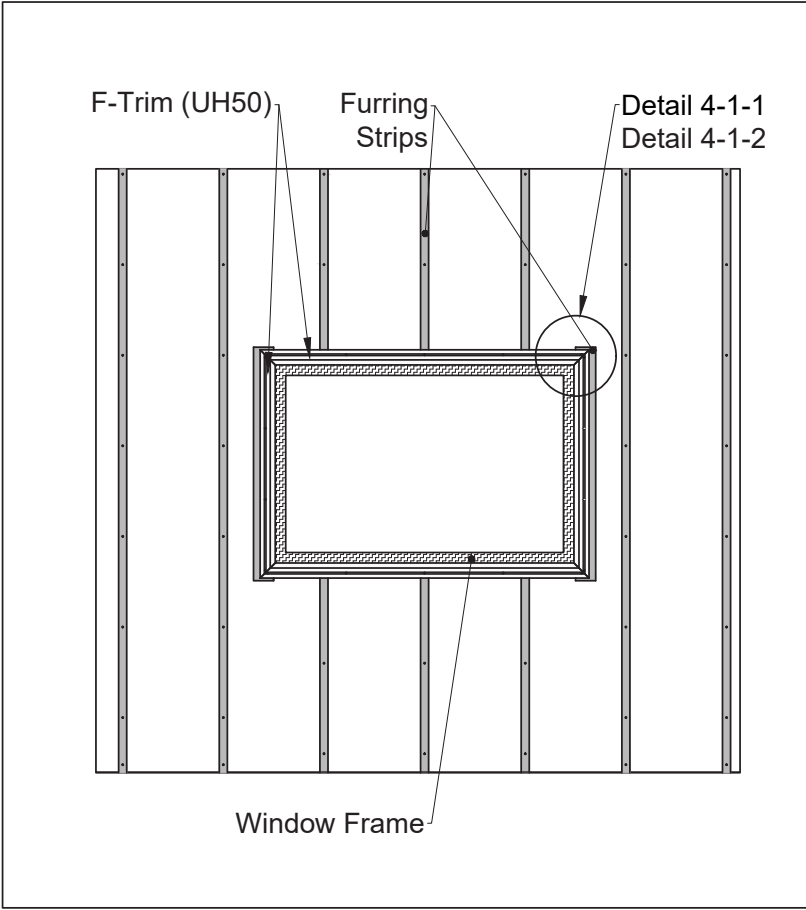
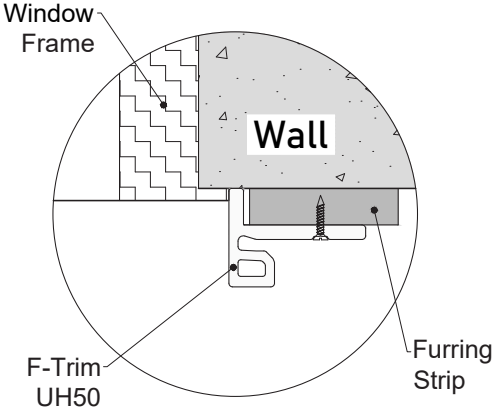


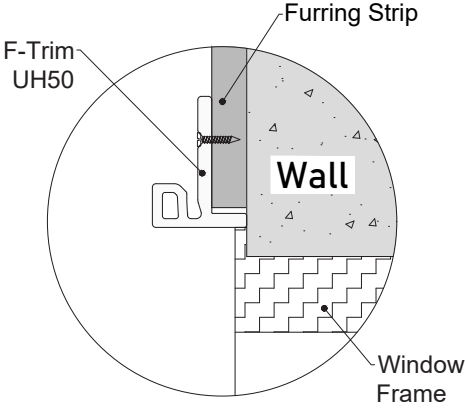
Diagram 4-1

For Siding Horizontal Installation



View from the Top

Detail 4-1-1



View from the Side

Detail 4-1-2

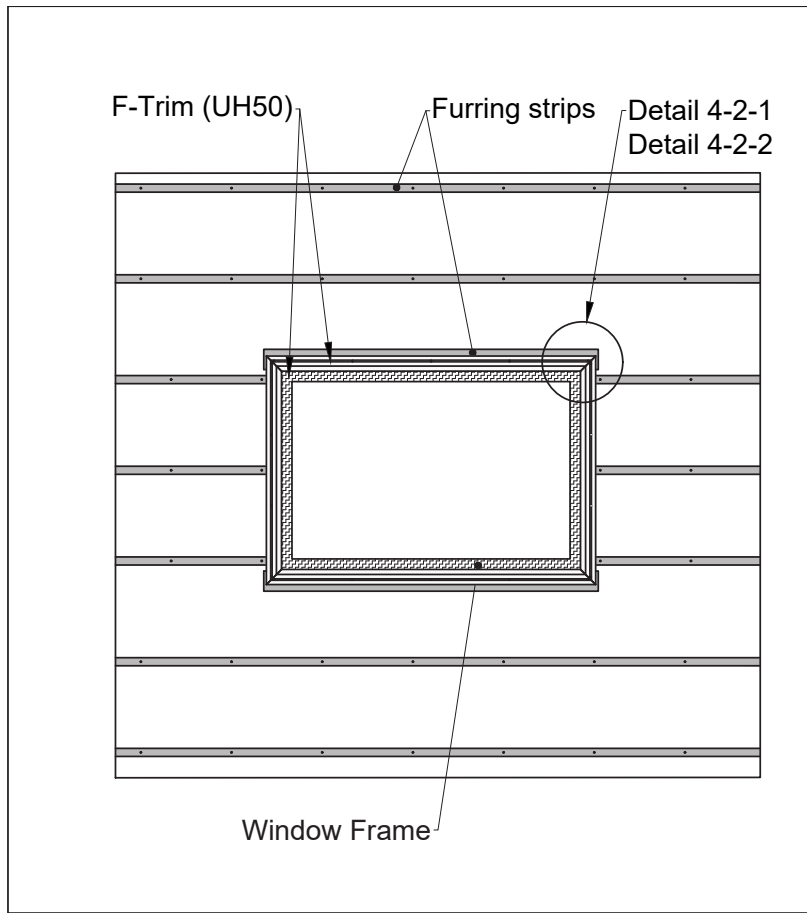
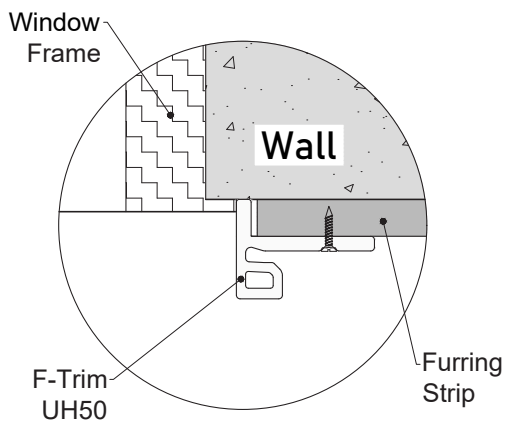


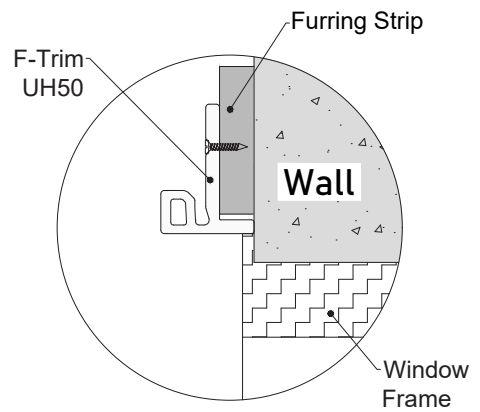
Diagram 4-2

For Siding Vertical Installation



View from the Top

Detail 4-2-1



View from the Side

Detail 4-2-2

- 5 Install the boards against the Clips (AW08), and lock the boards according to the instruction on page "**Locking the Siding Board**" of this installation guide.

Siding Horizontal Installation, as shown in **Diagram 5-1**, **Detail 5-1-1**, and **Detail 5-1-2**.
Siding Vertical Installation, as shown in **Diagram 5-2**, **Detail 5-2-1**, and **Detail 5-2-2**.

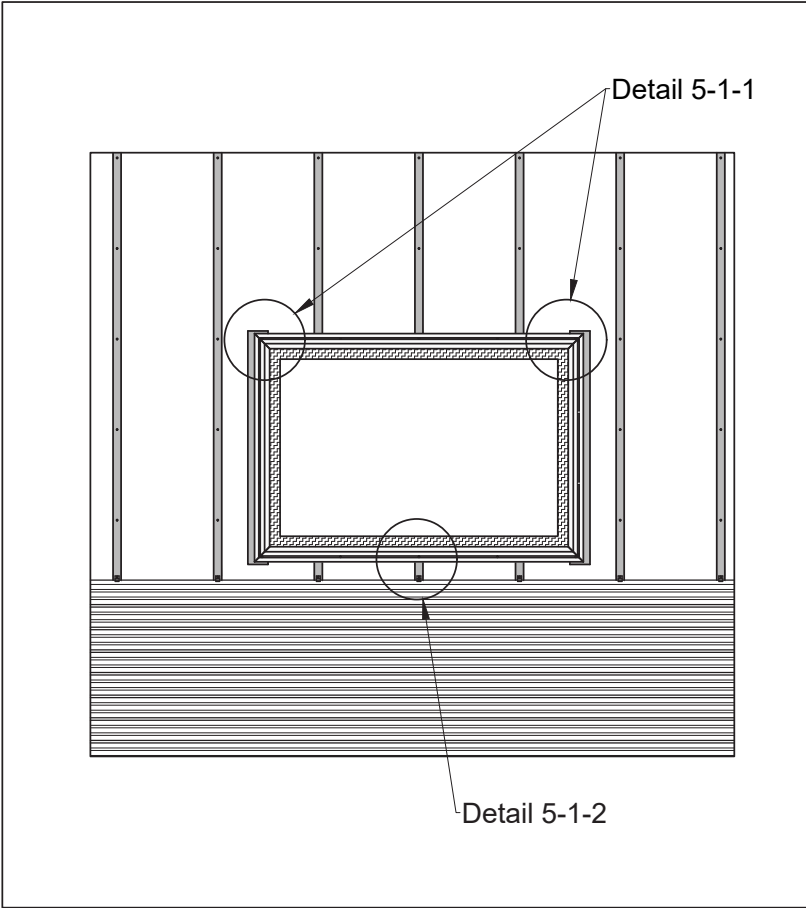
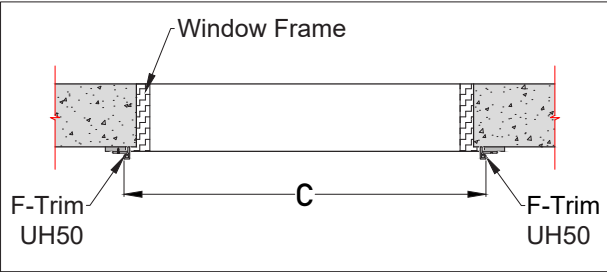
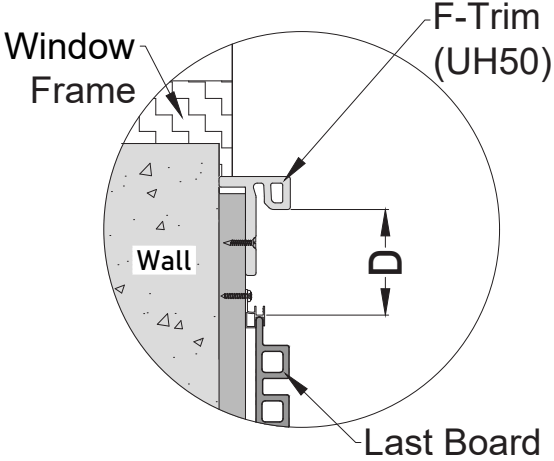


Diagram 5-1



Detail 5-1-1



Detail 5-1-2

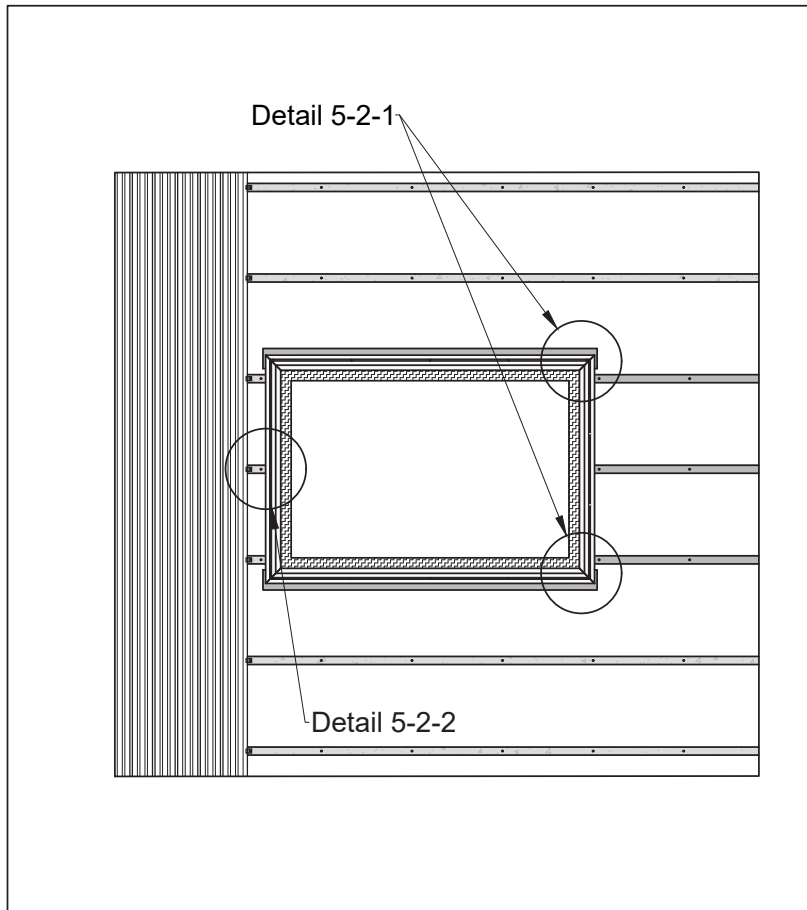
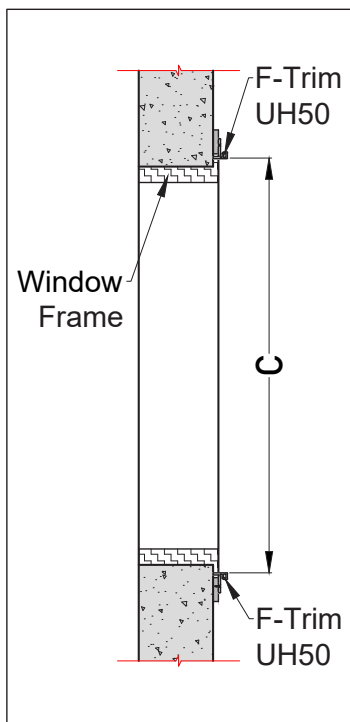
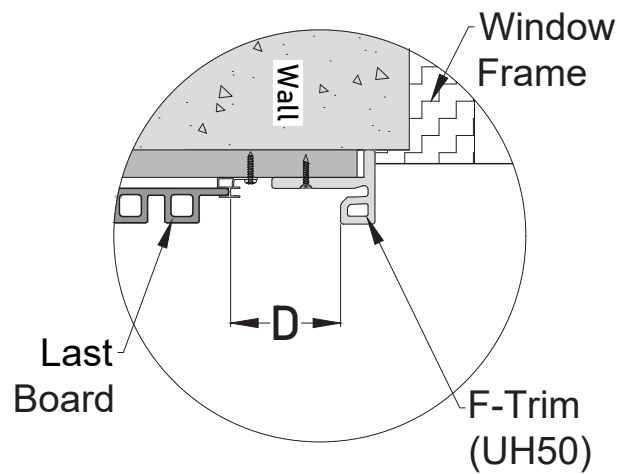


Diagram 5-2



Detail 5-2-1



Detail 5-2-2

- 6 Refer to the measurement to determine how to cut the notch on the board to get the appropriate gap between the trim.

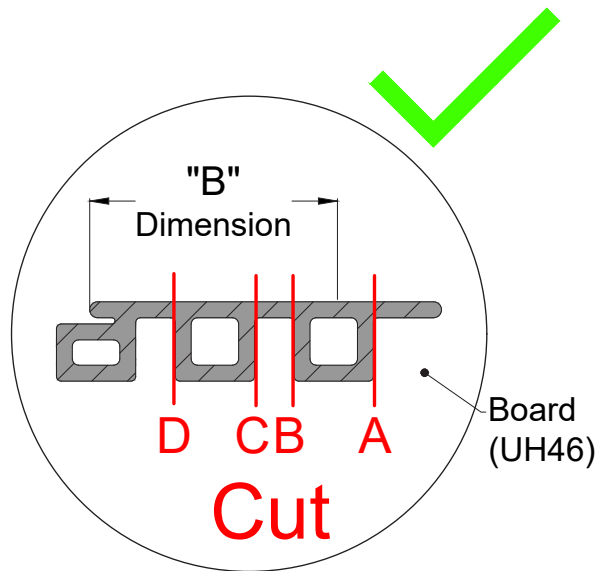
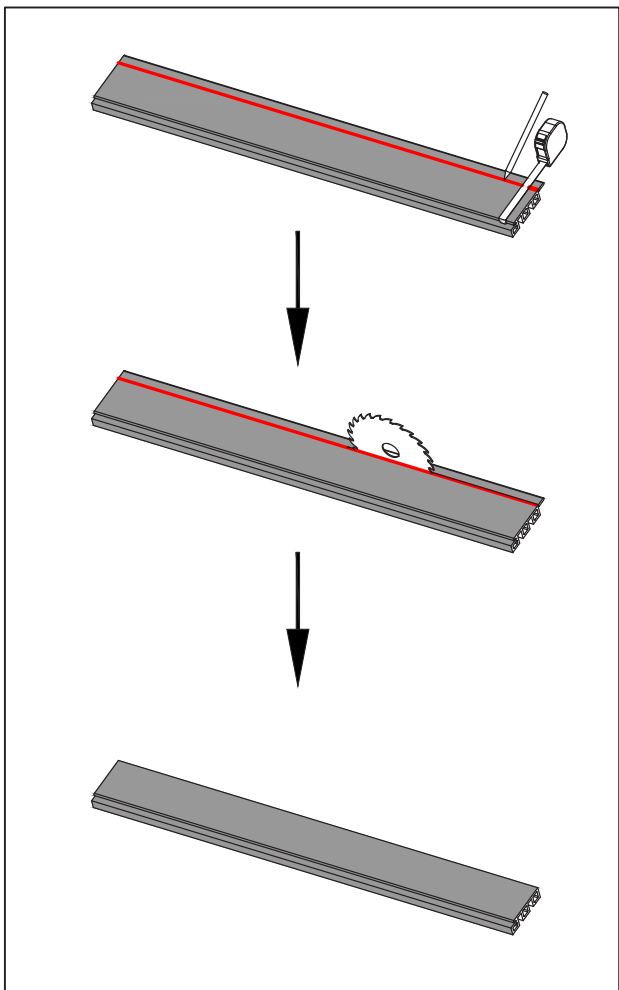
Siding Horizontal Installation, as shown in *Diagram 6-1*.

Siding Vertical Installation, as shown in *Diagram 6-2*.

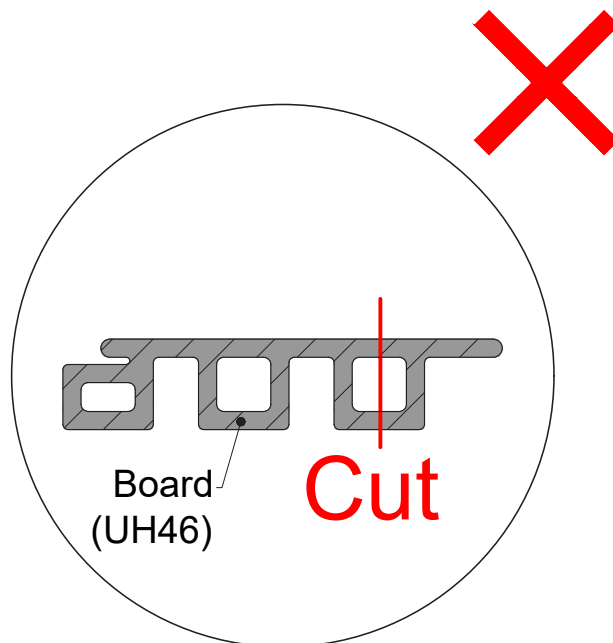
Please Note:

It is recommended to cut the board, as shown in *Detail 6-1*.

Don't cut the board on the raised portion, as shown in *Detail 6-2*.

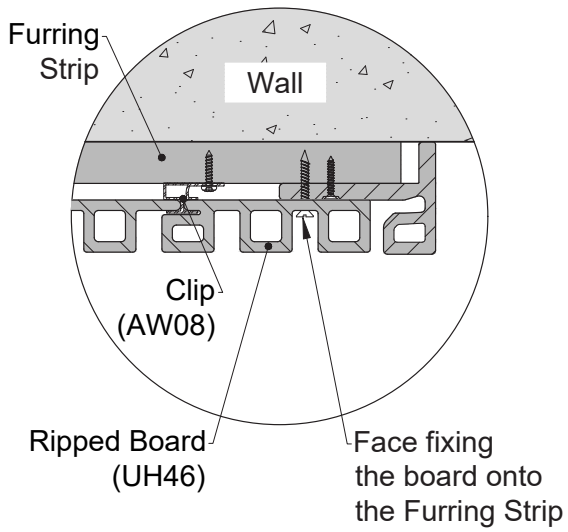


Detail 6-1

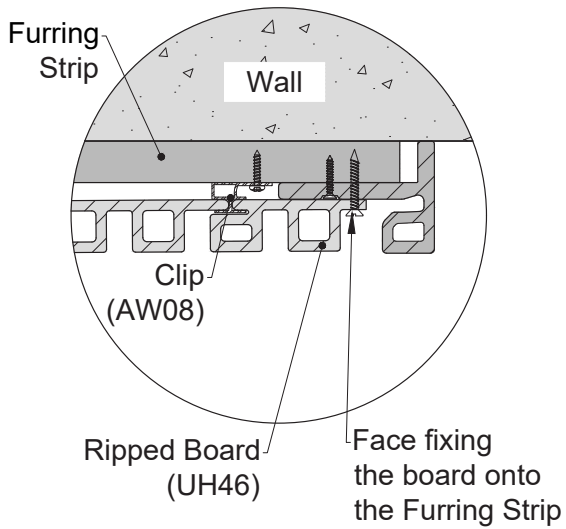


Detail 6-2

Detail 6-3 and **Detail 6-4** present the installation details when the rip point is at A or B.

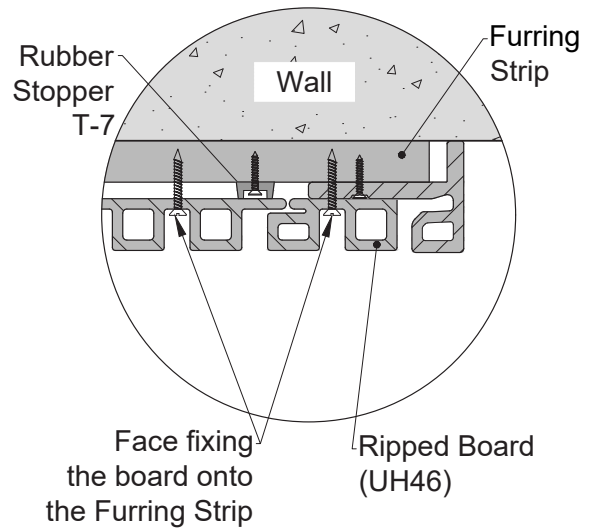


Detail 6-3

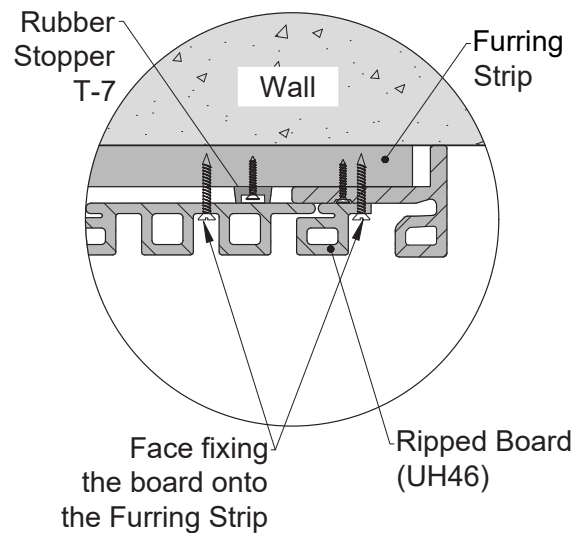


Detail 6-4

When the rip point occurs at C or D, use a rubber stopper T-7 instead the Clip AW08 and face fix the boards, as shown in **Detail 6-5** and **Detail 6-6**.



Detail 6-5



Detail 6-6

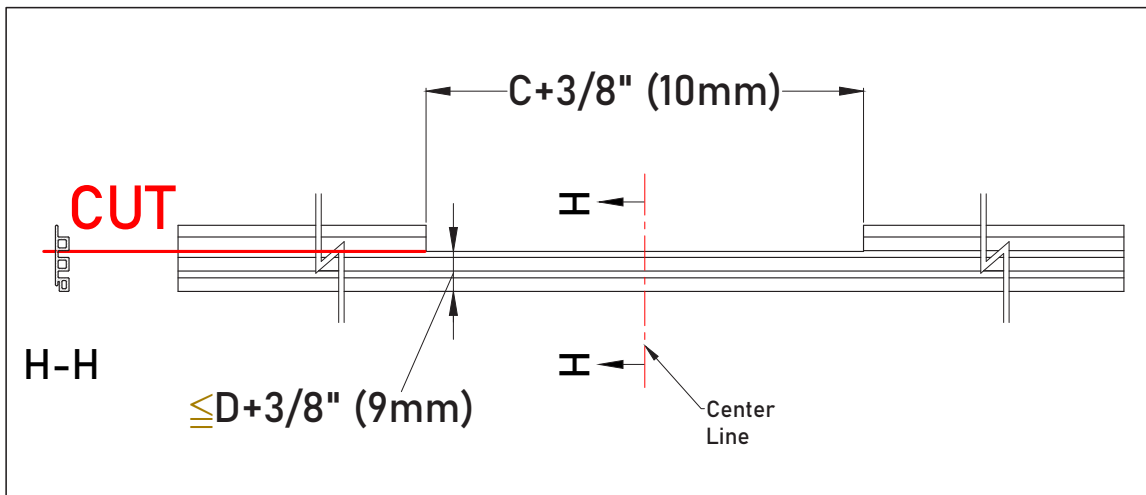


Diagram 6-1

For Siding Horizontal Installation

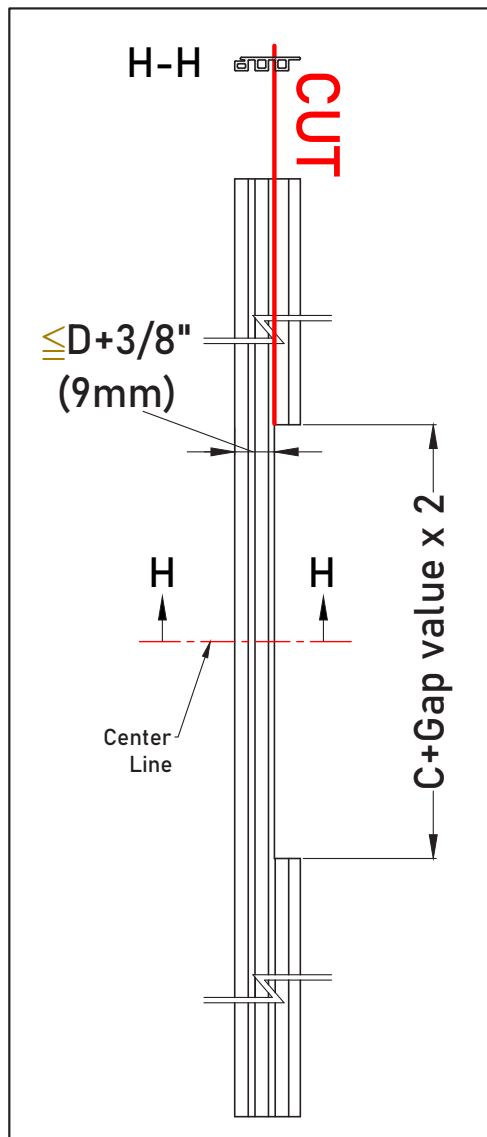


Diagram 6-2

For Siding Vertical Installation

- 7 Put the ripped board in place against the Clips (AW08);

Siding Horizontal Installation,

Face fix the section of the board underside the windowsill with screws onto the furring strips. Except for the middle screw, predrill the screw holes to allow the board for expansion and contraction. Then lock the board onto the furring strip with the middle screw, also do not lock any other Clip (AW08) for the same board, as shown in **Diagram 7-1**, and **Detail 7-1-1**.

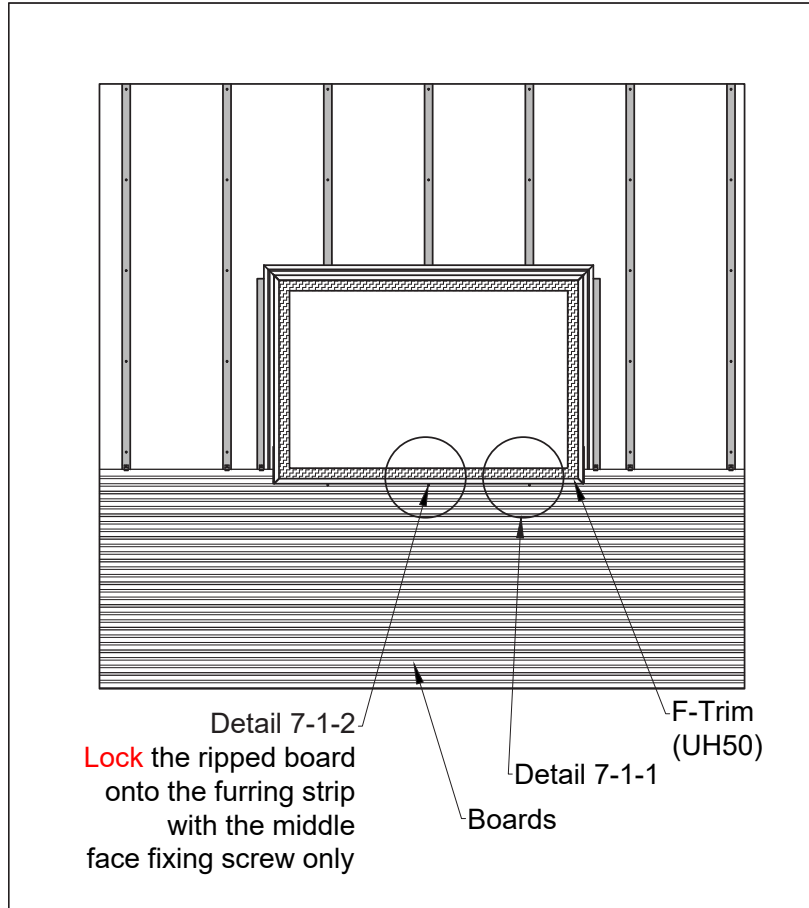
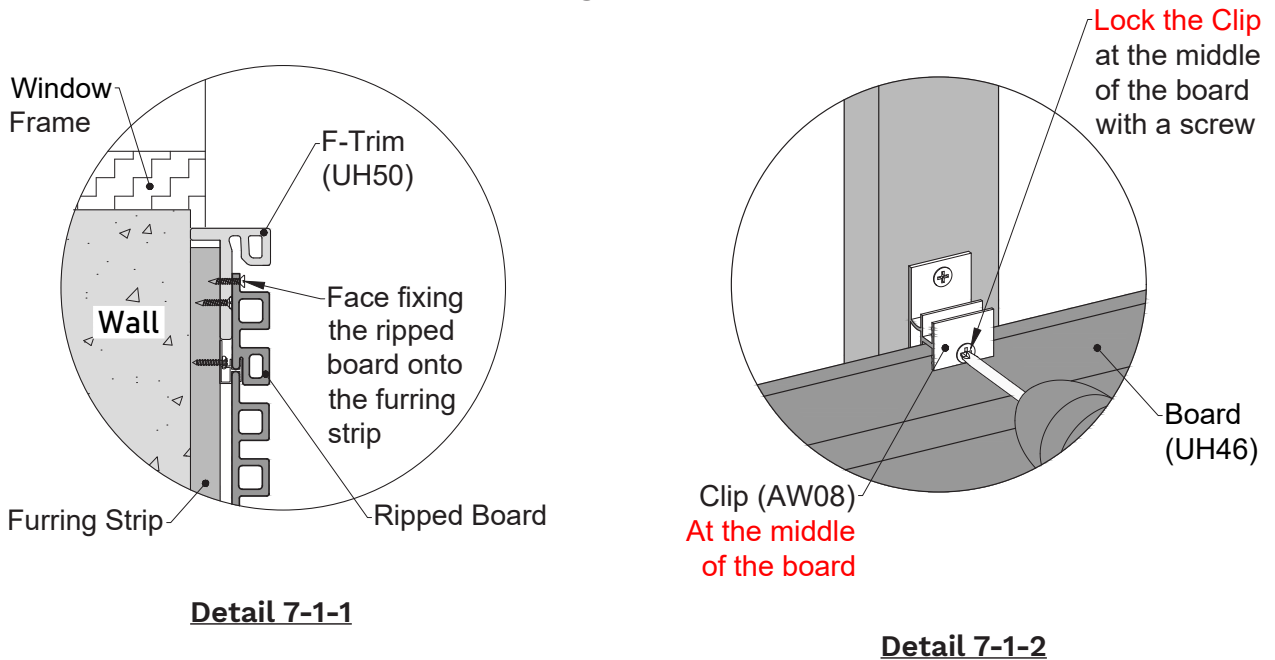


Diagram 7-1



Siding Vertical Installation,

Lock the Clip (AW08) at the top of the board only, do not lock any other Clips (AW08) for the same board, as shown in **Diagram 7-2**, and **Detail 7-2-1**.

Note:

Please review page 13, "Locking the Siding Board" of this installation guide for further information.

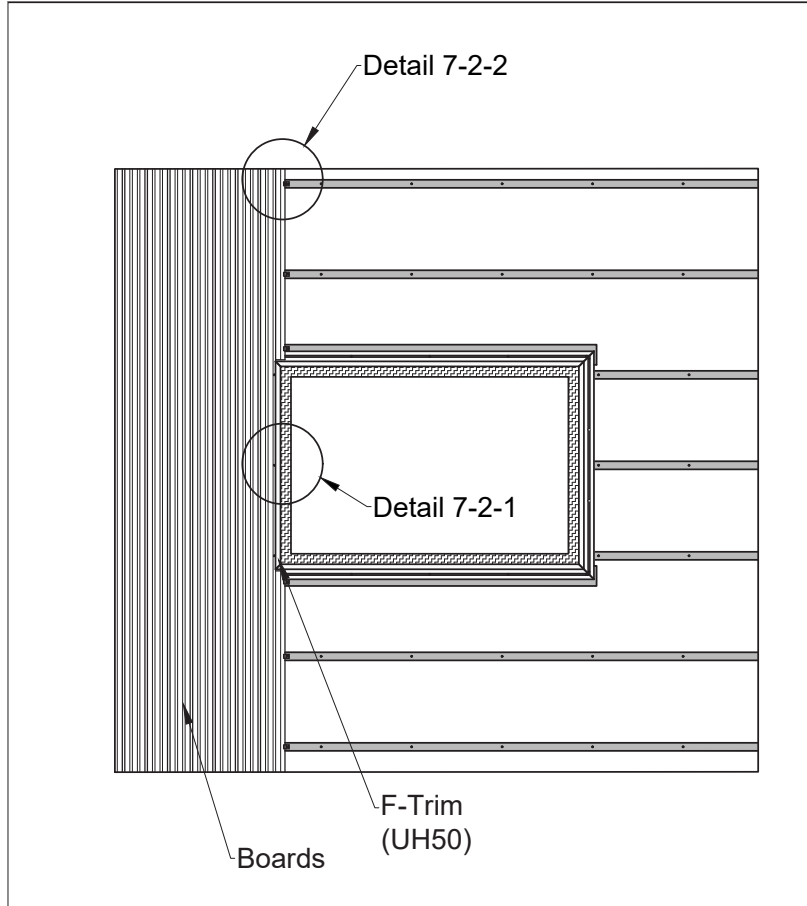
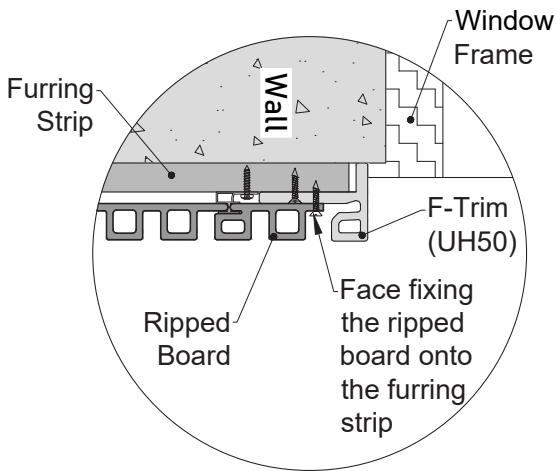
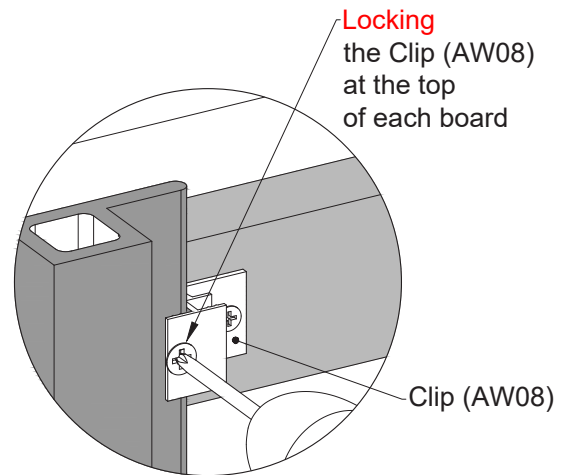


Diagram 7-2



Detail 7-2-1



ONLY ONE LOCKING SCREW TO BE USED PER BOARD

Detail 7-2-2

- 8 Install the boards against the sides of the window or the window head and the windowsill.

Siding Horizontal Installation,

We recommend having a 3/16" (5 mm) clearance between the F-Trim (UH50) and the boards, as shown in **Diagram 8-1**, and **Detail 8-1-1**. Next, lock the Clip (AW08), which is next to the window frame, to allow the board for expansion and contraction outward the window frame in one direction, as shown in **Detail 8-1-2**.

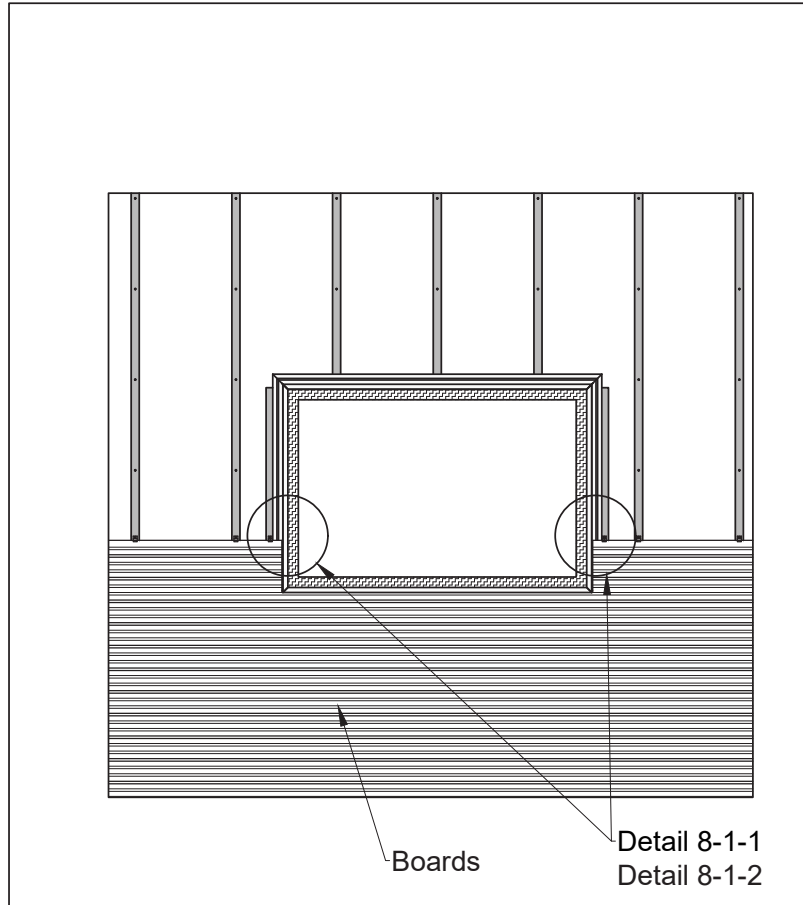
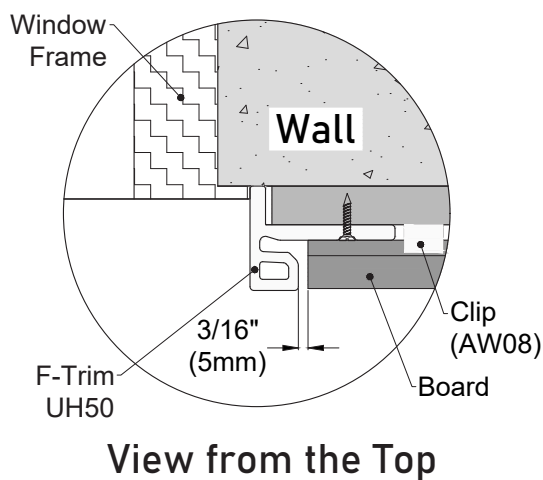
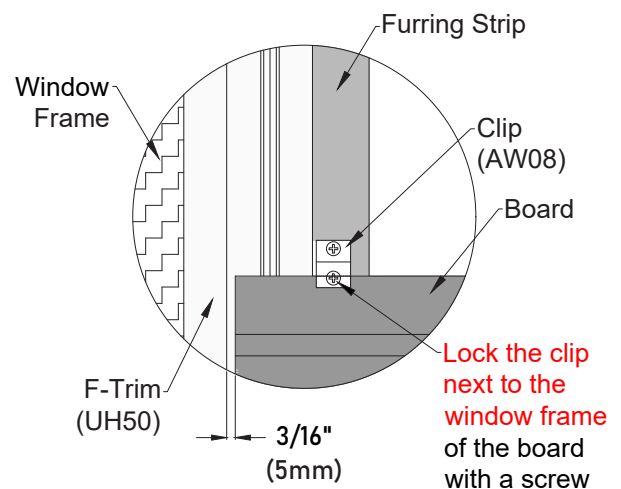


Diagram 8-1



View from the Top

Detail 8-1-1



Detail 8-1-2

Siding Vertical Installation,

It is vital to have a gap between the board and the F-Trim (UH50) to avoid warping or buckling, as shown in **Diagram 8-2**, and **Detail 8-2-1**. Next, lock the Clip (AW08) at the top of each board only, do not lock any other Clip (AW08) for the same board, as shown in **Detail 8-2-2**.

Please Note:

Please review [page 13](#), "[Locking the Siding Board](#)" of this installation guide for further information.

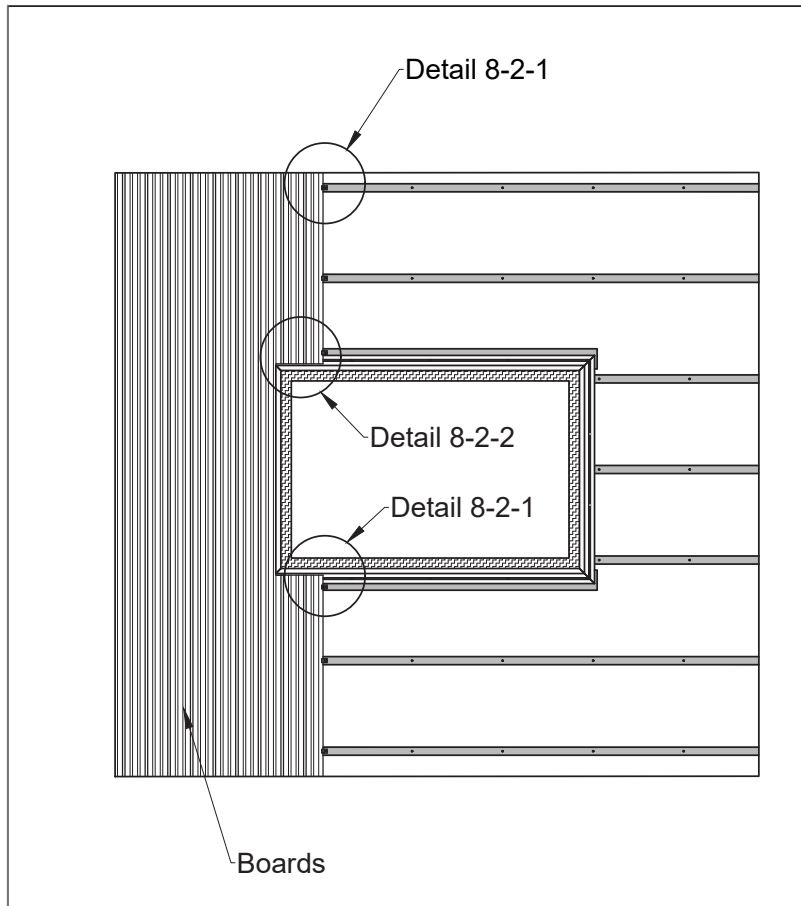
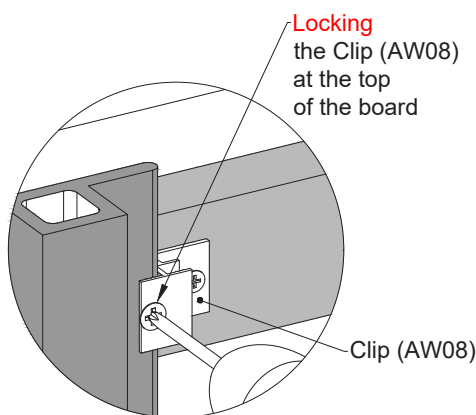
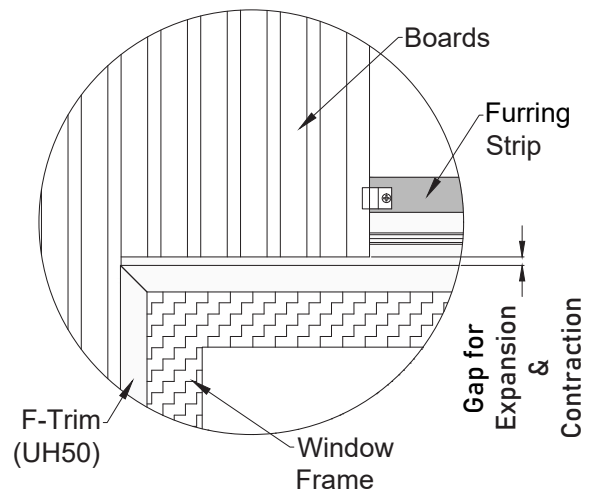


Diagram 8-2



ONLY ONE LOCKING SCREW TO BE USED PER BOARD

Detail 8-2-1



Detail 8-2-2

- 9 When you are at the window head or the window side, measure the distance between the two F-Trims (UH50) and the distance between the F-Trim (UH50) and the Clip (AW08) to have the measurement for the notch cutting.

Siding Horizontal Installation, as shown in *Diagram 9-1*, *Detail 9-1-1*, and *Detail 9-1-2*.
Siding Vertical Installation, as shown in *Diagram 9-2*, *Detail 9-2-1*, and *Detail 9-2-2*.

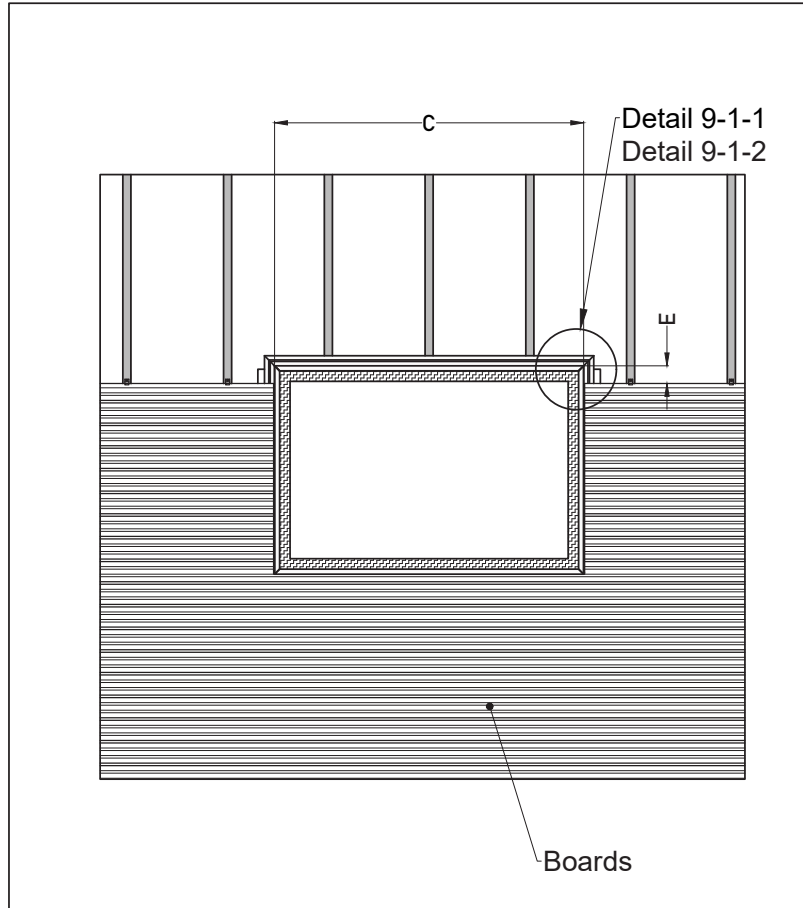
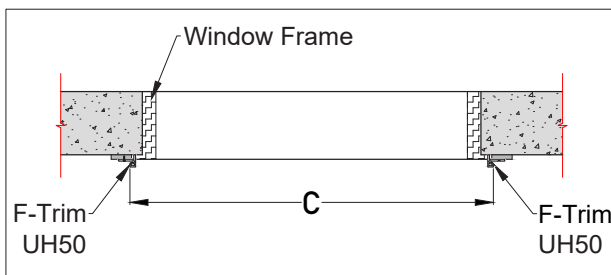
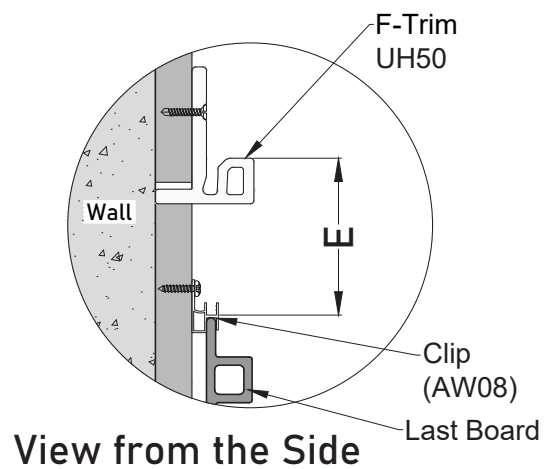


Diagram 9-1



Detail 9-1-1



Detail 9-1-1

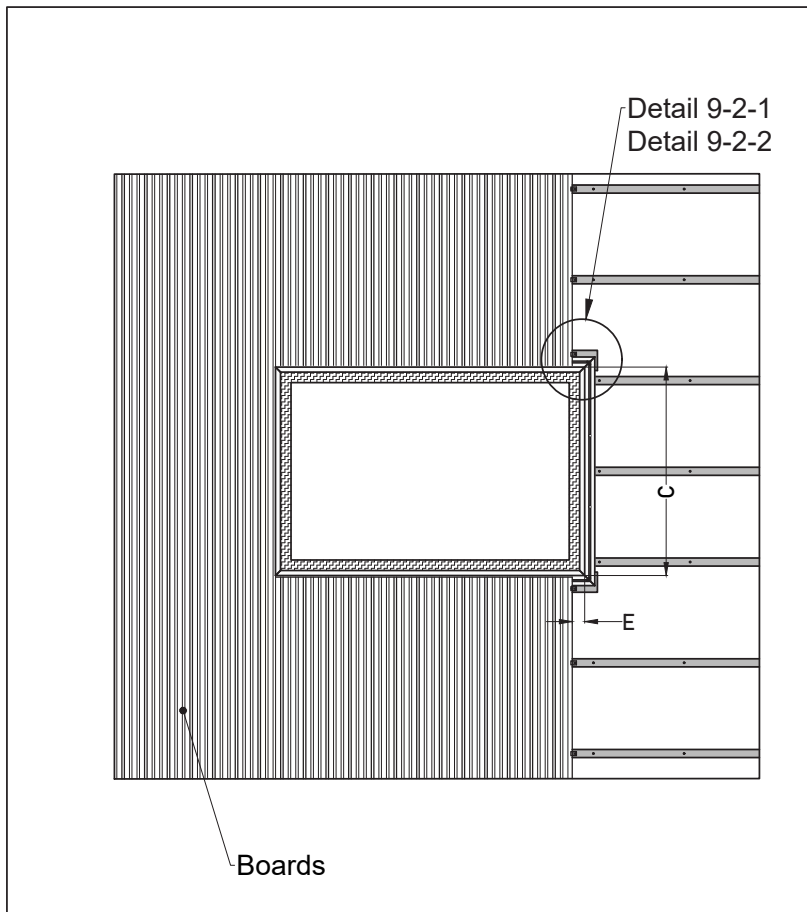
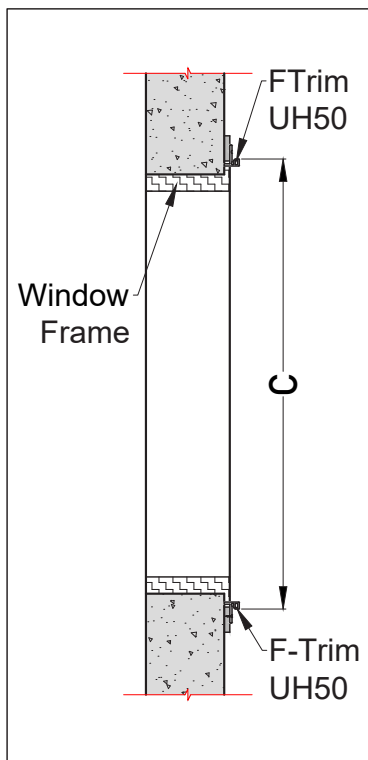
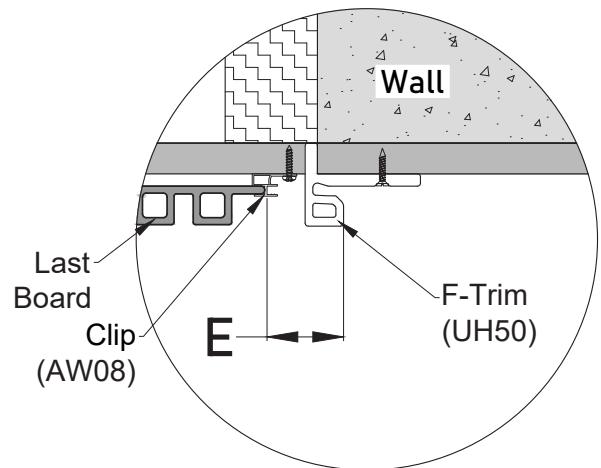


Diagram 9-2



Detail 9-2-1



View from the Top

Detail 9-2-2

10 Cut a notch on the board according to the measurement;

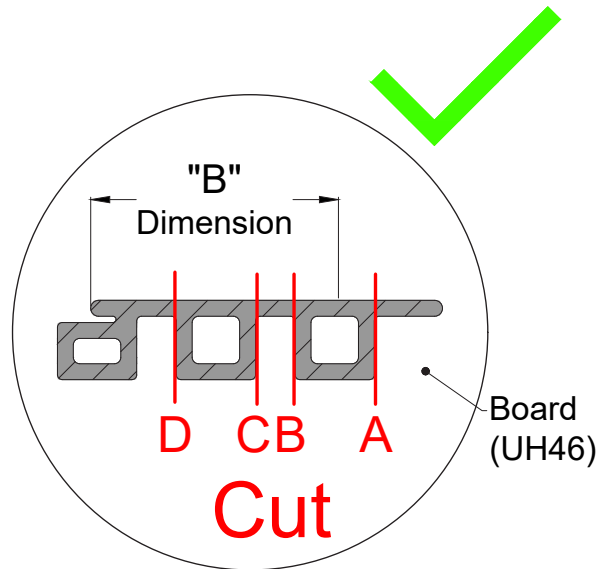
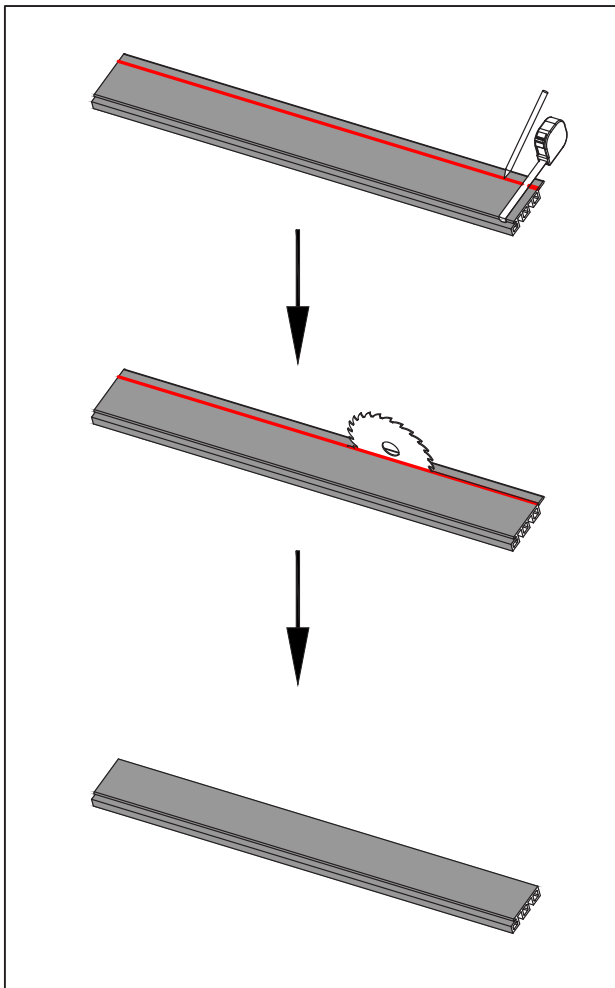
Siding Horizontal Installation, as shown in *Diagram 10-1*.

Siding Vertical Installation, as shown in *Diagram 10-2*.

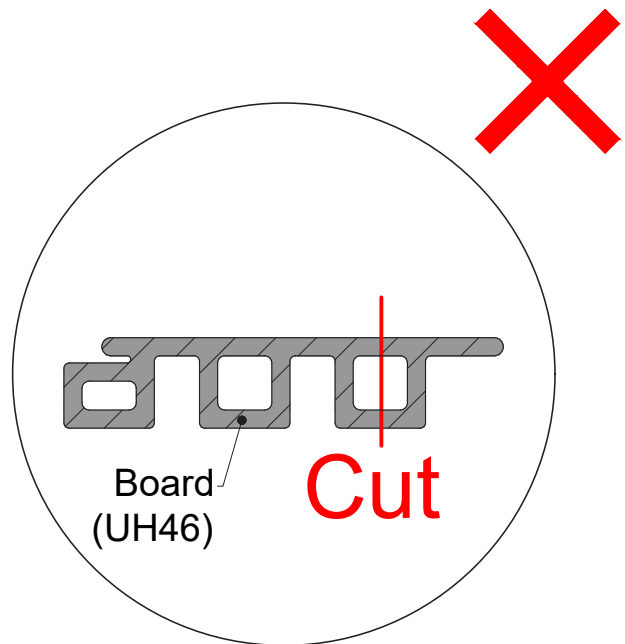
Please Note:

it is recommended to cut the board, as shown in *Detail 10-1*.

Don't cut the board on the raised portion, as shown in *Detail 10-2*.

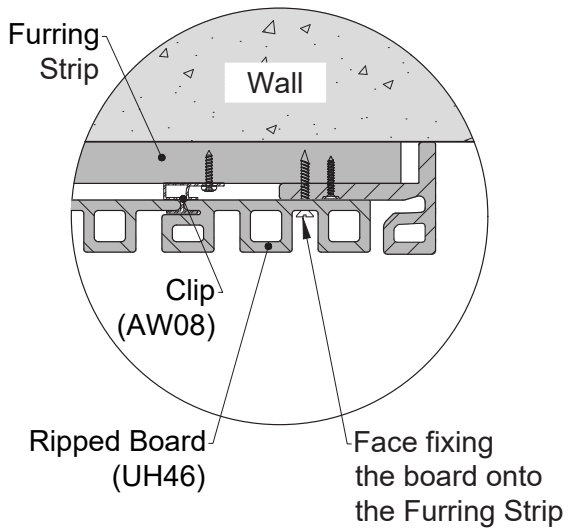


Detail 10-1

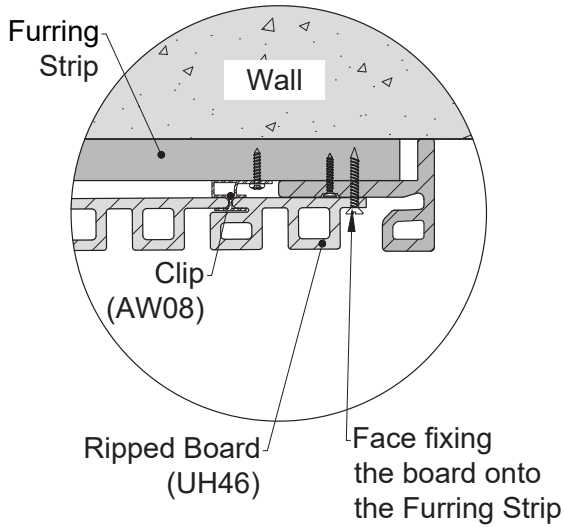


Detail 10-2

Detail 10-3 and **Detail 10-4** present the installation details when the rip point is at A or B.

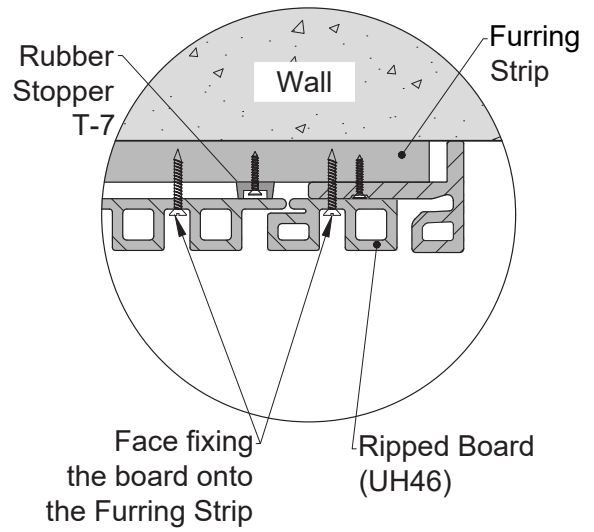


Detail 10-3

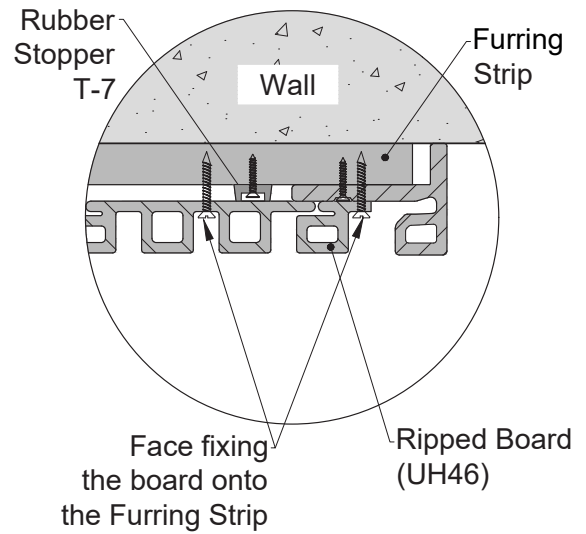


Detail 10-4

When the rip point occurs at C or D, use a rubber stopper T-7 instead the Clip AW08 and face fix the boards, as shown in **Detail 10-5** and **Detail 10-6**.



Detail 10-5



Detail 10-6

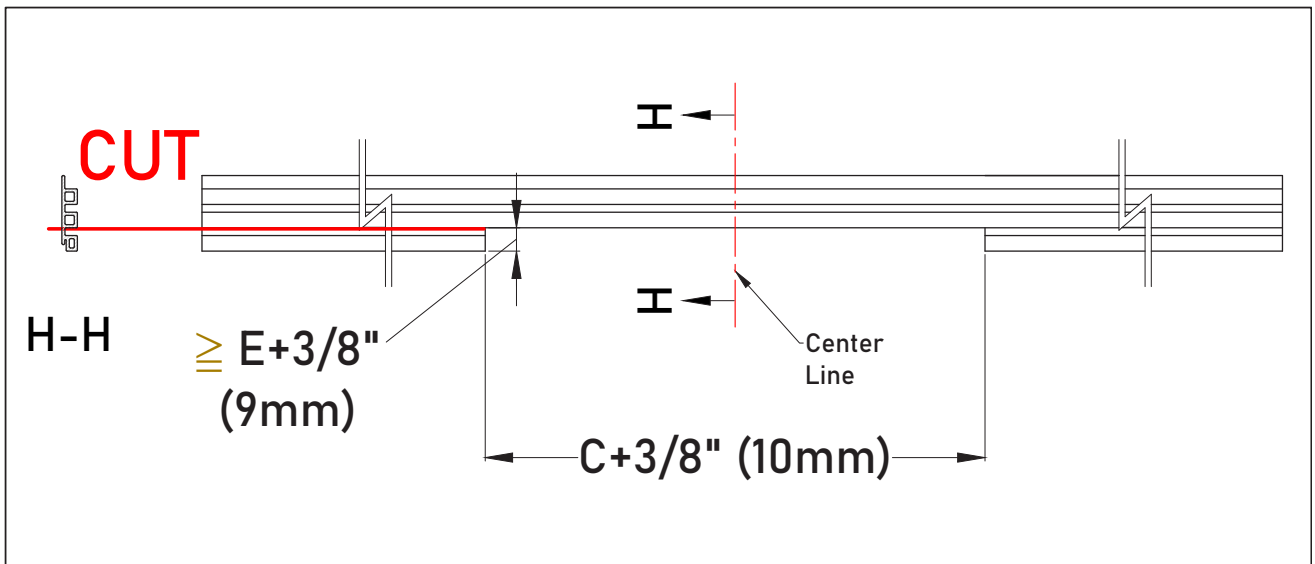


Diagram 10-1

For Siding Horizontal Installation

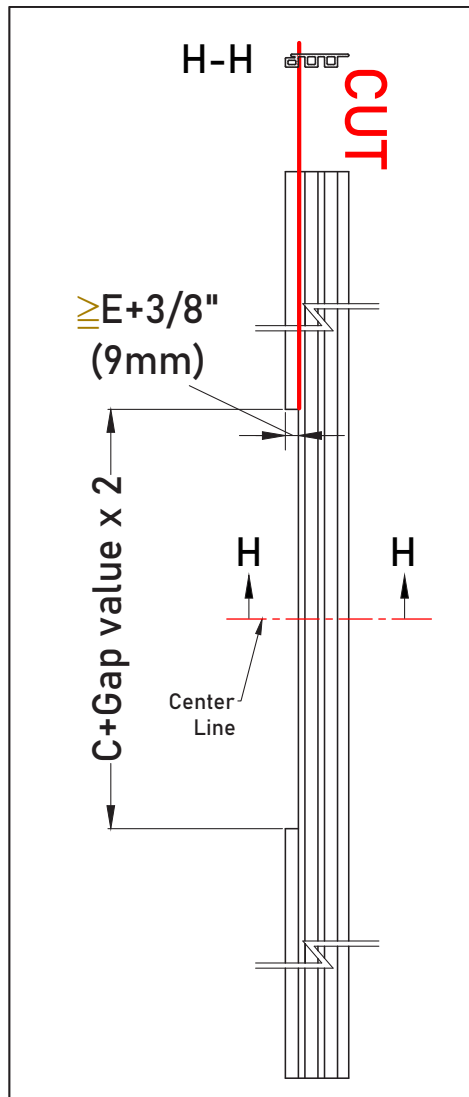


Diagram 10-2

For Siding Vertical Installation

- 11 Put the ripped board in place against the Clip (AW08);

Siding Horizontal Installation,

Lock the Clip (AW08) at the middle of the board Onto the batten with a screw, do not lock any other Clip (AW08) of the same board, as shown in **Diagram 11-1**, and **Detail 11-1-1**.

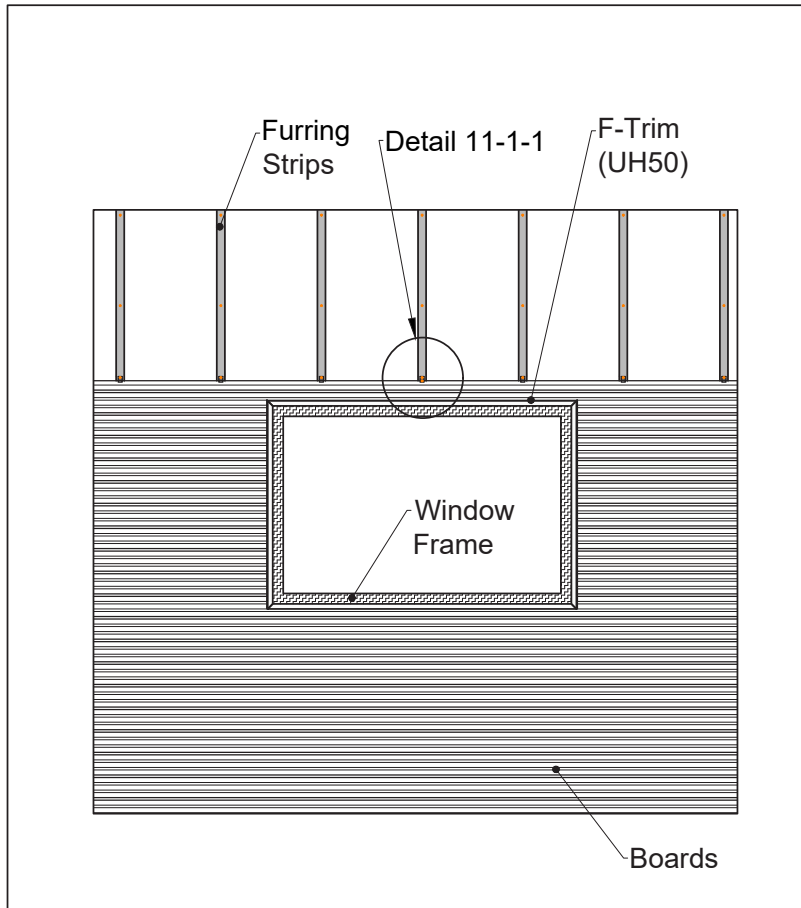
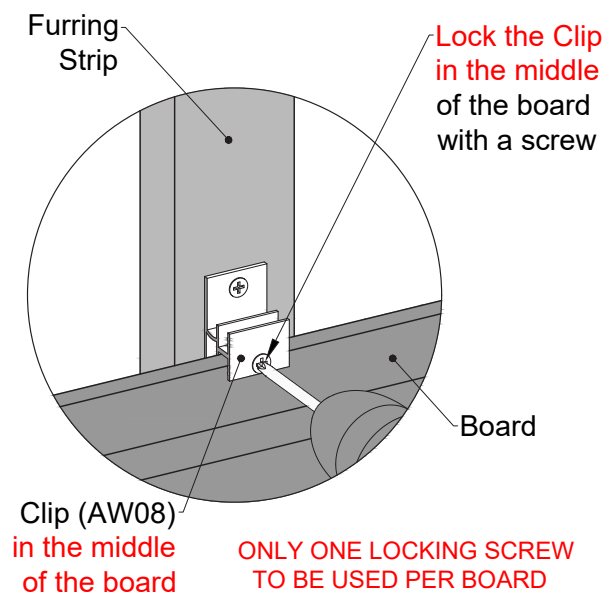


Diagram 11-1



Detail 11-1-1

Siding Vertical Installation,

Lock the Clip (AW08) at the top of the board only, do not lock any other Clip (AW08) of the same board, as shown in **Diagram 11-2**, and **Detail 11-2-1**.

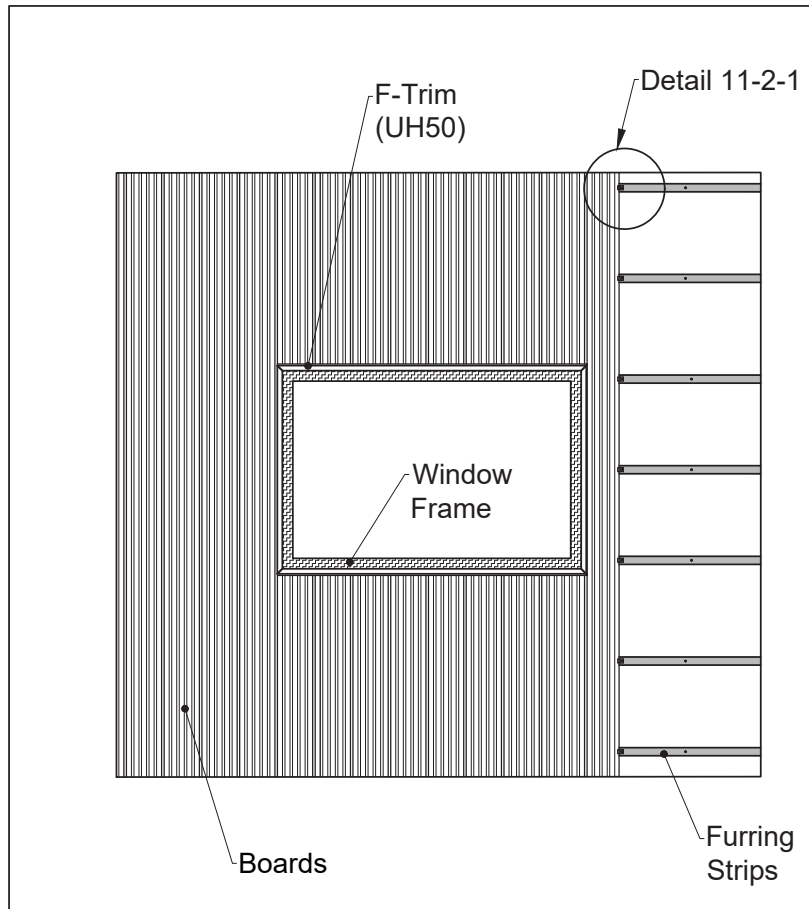
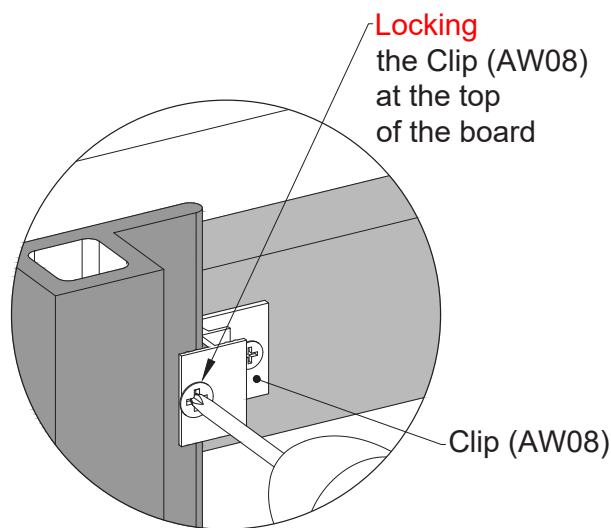


Diagram 11-2



**ONLY ONE LOCKING SCREW
TO BE USED PER BOARD**

Detail 11-2-1

- 12 Continuous the remaining board installation according to the European Siding board installation steps.

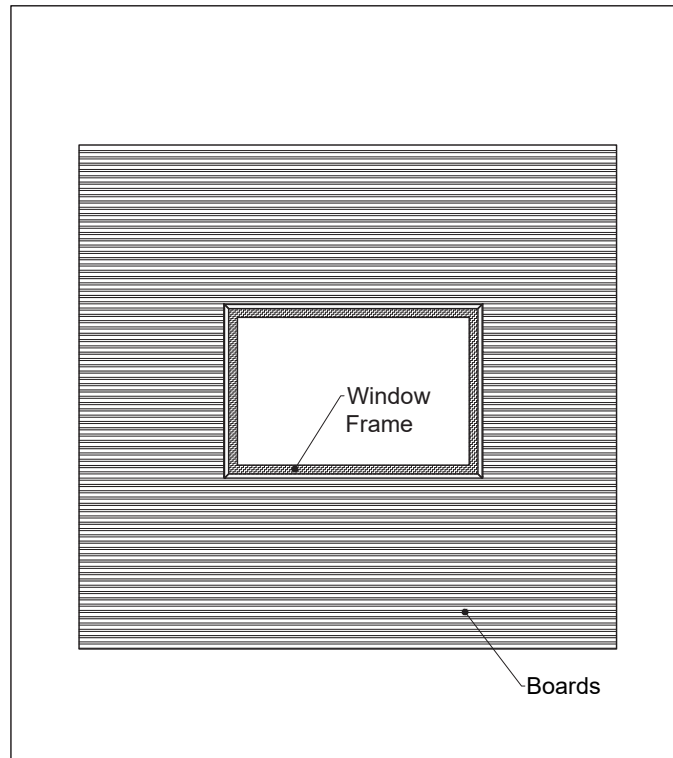


Diagram 12-1
Siding Horizontal Installation

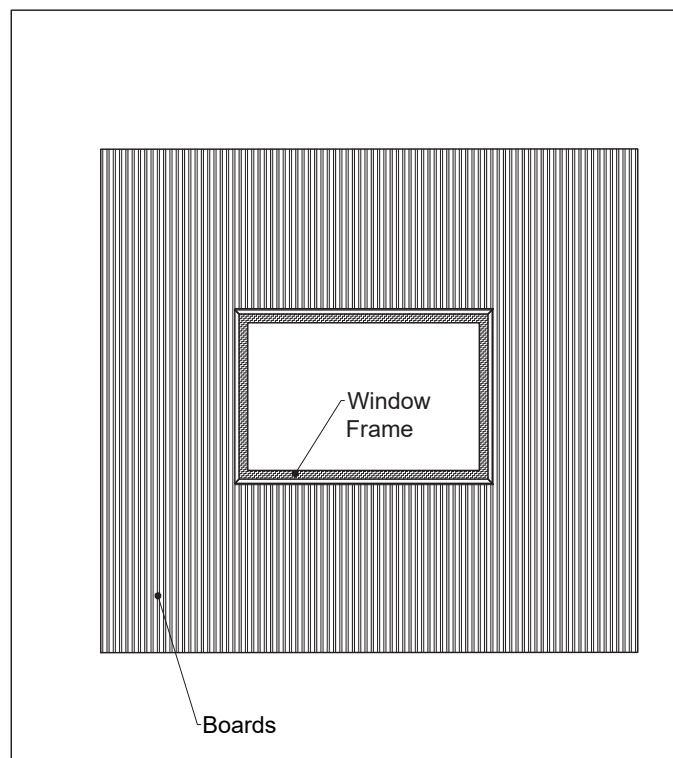


Diagram 12-2
Siding vertical Installation



European Siding System Windows Installation Guide

v20220508US

©2022 Newtechwood Corporation
NewTechWood® is a registered trademark of Newtechwood Corporation.
To obtain a copy of the most current version of this installation guide,
visit us online at www.newtechwood.com

