



Composite Vertical Fencing In Ground & Surface Mount

Installation Guide

Flat Fencing UH24 • European Fencing UH66 • Hybrid Fencing UH105

04.10.26 US



NewTechWood

CONTENTS

Important Notes	4
Exploded View and Parts	6
- Flat Fencing UH24	6
- European Fencing UH66	8
- Hybrid Fencing UH105	10
- Surface Mount Components	12
Framing: In Ground	13
Framing: Surface Mount	14
Installation: In Ground Posts	15
Installation: Surface Mount Posts	20
Installation: Fence Boards	24
- Installing the Bottom Trim Bracket	24
- Installing the Bottom Aluminum Trim	25
- Installing the Spring Wedges	26
- Fence Boards Orientation	28
- Flat Fencing UH24 Installation	29
- European Fencing UH66 Installation	32
- Hybrid Fencing UH105 Installation	35
- Installing the Top Trim, Cut Post Trims, and Fence Post Caps ...	38
- Completed Fencing Installation	40

IMPORTANT NOTES

Read All Sections Before You Start

For the latest information, please visit our website @ www.newtechwood.com

Prior to installing any composite product, it is recommended that you check your local building codes for any special requirements or restrictions. The diagrams and instructions outlined in this guide are for illustration purposes only and are not meant to replace, and do not imply replacement of a licensed professional. Any construction or use of NewTechWood products must be in accordance with all local zoning and/or building codes. The consumer assumes all risks and liability associated with the construction and use of this product.

Safety

When dealing with, or handling any type of construction project, it is necessary to wear the appropriate safety equipment to avoid injury. NewTechWood recommends the following, non-exhaustive list of safety equipment when handling, cutting, and installing NewTechWood products: work gloves, respiratory protection, long sleeves, long pants, safety shoes, and safety eye-glasses.

Tools

Always select the appropriate tools for the installation project.

Environment

A clean, smooth, flat, and strong surface is needed for the proper installation of NewTechWood products. Always check your local building codes before installing any type of product. If installation does not happen immediately, NewTechWood products must be stored on a flat surface at all times.

Planning

Plan a layout for your fencing project before starting to ensure you get the best possible looking fencing for your project. It is recommended to draw a site plan of the proposed project to minimize errors and obtain your perfect fencing.

Construction

NewTechWood UltraEasy fencing is NOT intended for use as columns, support posts, beams, joist stringers, support against a force, or other primary load-bearing members. NewTechWood must be supported by a code-compliant substructure. While NewTechWood products are great for retrofitting, NewTechWood products CANNOT be installed on existing boards.

Static

Static can be more prevalent in areas that are at a higher altitude because the humidity is low. In these areas, be careful of using conductive objects, such as metal railing and chairs, as static shocks might occur more often. A potential way to lower the amount of static shocks occurring is to apply Staticide on your deck or use anti-static mats in front of doorways.

Ventilation

UltraEasy fencing needs to have at least one clip installed at the bottom of each aluminum post sleeve, and requires a top and bottom trim to work properly.

If a clip is not installed at the bottom of the post sleeve, air flow will not be sufficient and could result in high wind speeds which could damage the fencing.

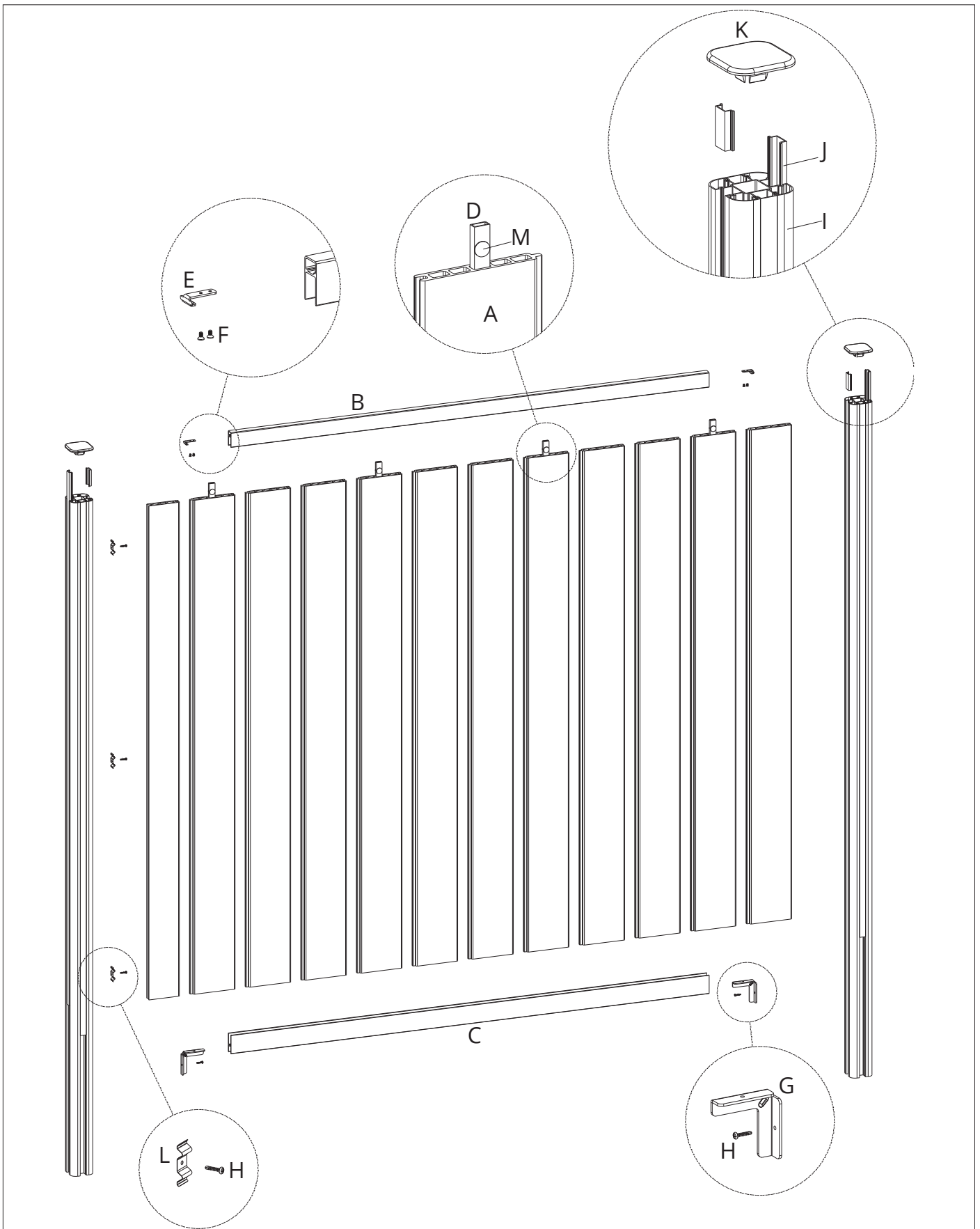
Heat and Fire

Excessive heat on the surface of NewTechWood products from external sources, such as the following non-exhaustive list of fire or focused reflection of sunlight from some optical sources can potentially damage NewTechWood products. This extreme elevation of surface temperatures, which exceed that of normal exposure, can possibly cause NewTechWood products to melt, sag, warp, and discolor; increase expansion/contraction; and accelerate weather.

Assembly

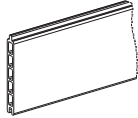
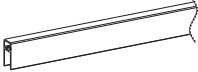

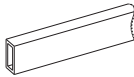
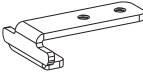
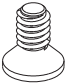

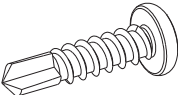
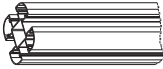
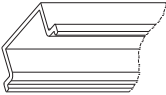

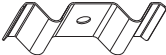

Before installation, check that the parts delivered in the packaged box are complete using the parts lists in the "Parts List" sections. If any parts are missing, contact the dealer from whom you purchased this product to obtain the missing parts.

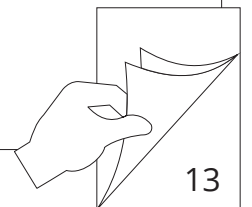
EXPLODED VIEW FLAT FENCING – UH24



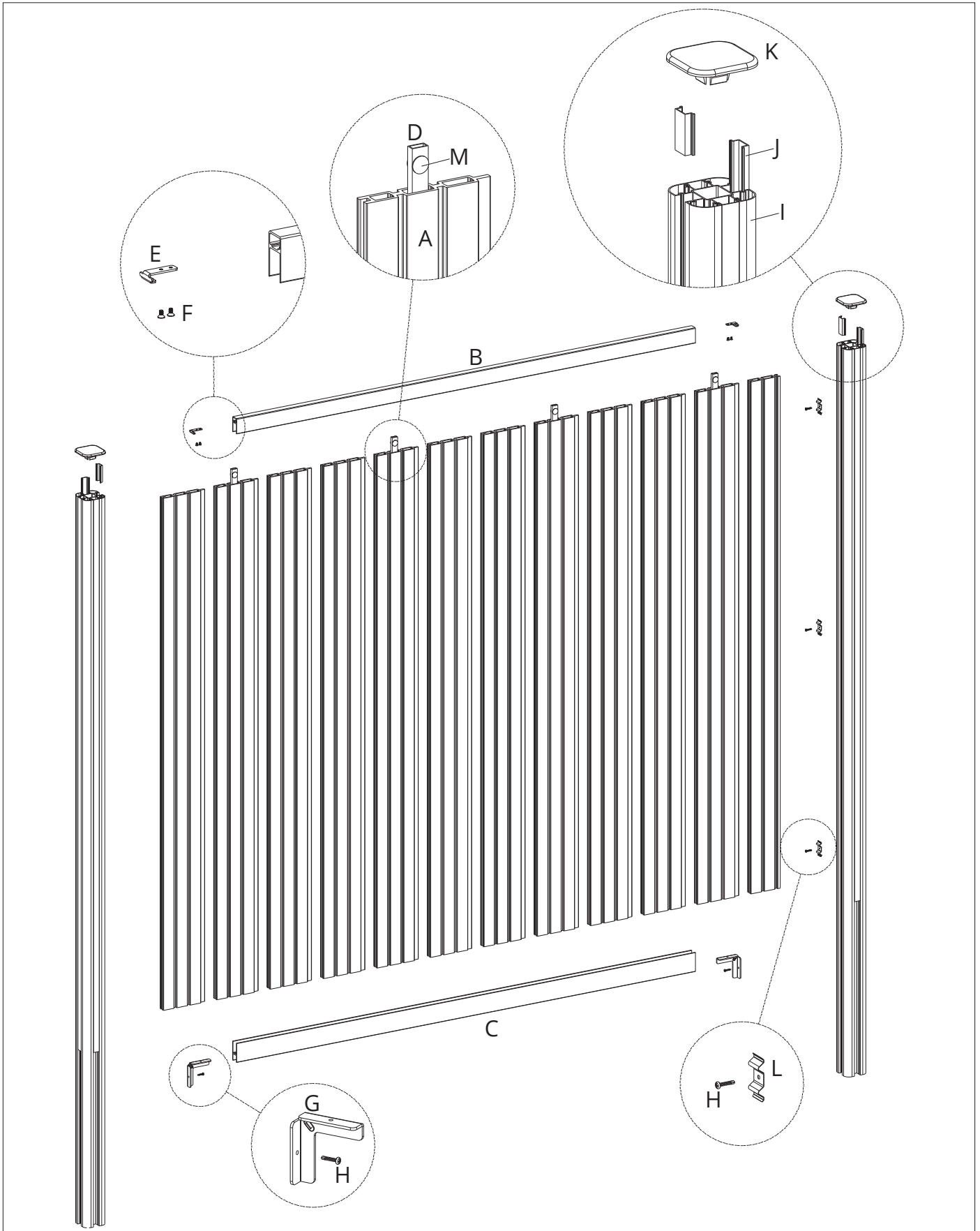
PARTS LIST

FLAT FENCING – UH24

Code	Image	Qty	Description
A		×12	Fence Board
B		×1	Aluminum Top Trim
C		×1	Aluminum Bottom Trim
D		×4	Galvanized Steel Tube
E		×2	Top Trim Bracket
F		×4	Screw
G		×2	Bottom Trim Bracket
H		×5	Screw
I		×2	Post: FN0213R-2400
J		×8	Post Trim
K		×2	Post Cap
L		×3	Spring Wedge
M		×16	Rubber Pad

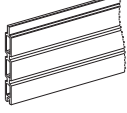


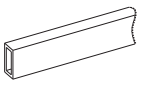
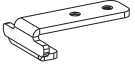
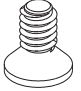

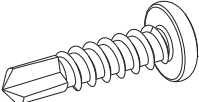

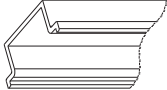

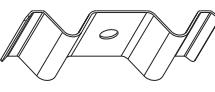



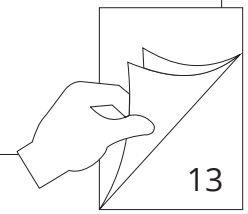
EXPLODED VIEW EUROPEAN FENCING – UH66



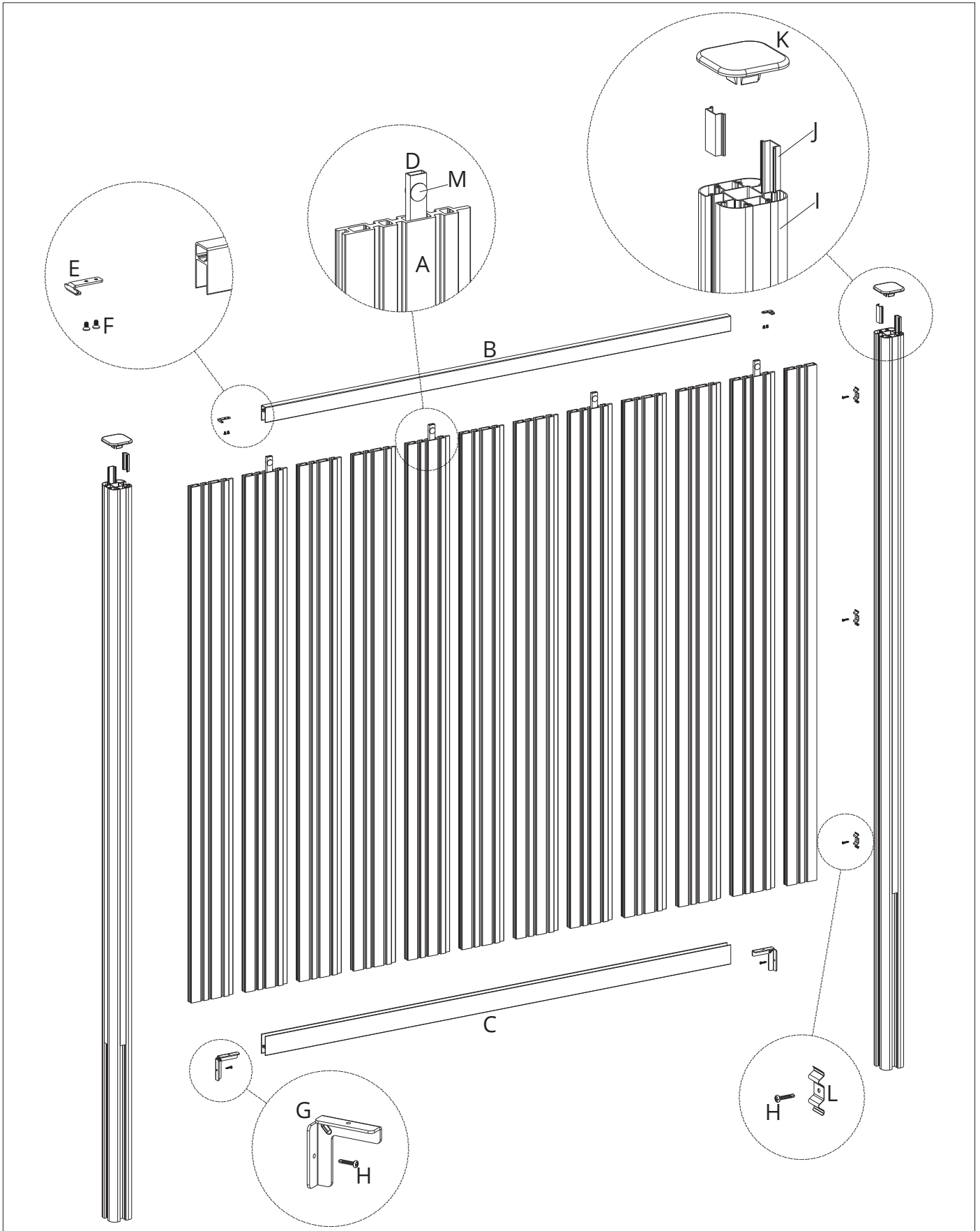
PARTS LIST

EUROPEAN FENCING – UH66

Code	Image	Qty	Description
A		×12	Fence Board
B		×1	Aluminum Top Trim
C		×1	Aluminum Bottom Trim
D		×4	Galvanized Steel Tube
E		×2	Clip for Top Trim
F		×4	Screw
G		×2	Bottom Trim Bracket
H		×5	Screw
I		×2	Post: FN0123R-2400
J		×8	Post Trim
K		×2	Post Cap
L		×3	Spring Wedge
M		×16	Rubber Pad


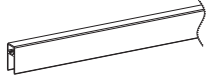

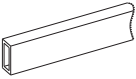
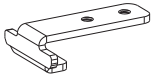
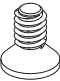

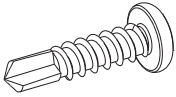
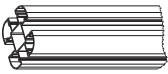
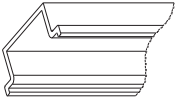





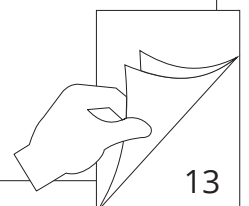
EXPLODED VIEW HYBRID FENCING - UH105



PARTS LIST

HYBRID FENCING – UH105

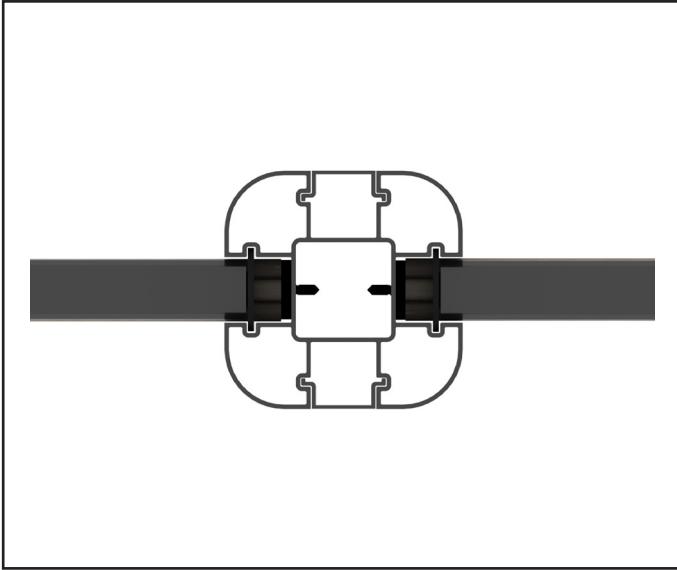
Code	Image	Qty	Description
A		×12	Fence Board
B		×1	Aluminum Top Trim
C		×1	Aluminum Bottom Trim
D		×4	Galvanized Steel Tube
E		×2	Top Trim Bracket
F		×4	Screw
G		×2	Bottom Trim Bracket
H		×5	Screw
I		×2	Post: FN0213R-2400
J		×8	Post Trim
K		×2	Post Cap
L		×3	Spring Wedge
M		×16	Rubber Pad



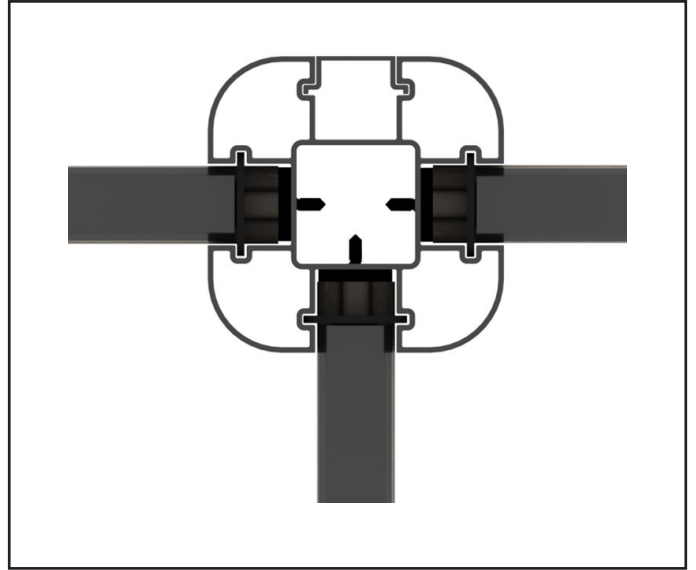
FRAMING: IN GROUND

Framing Layout Options for UltraEasy Fencing

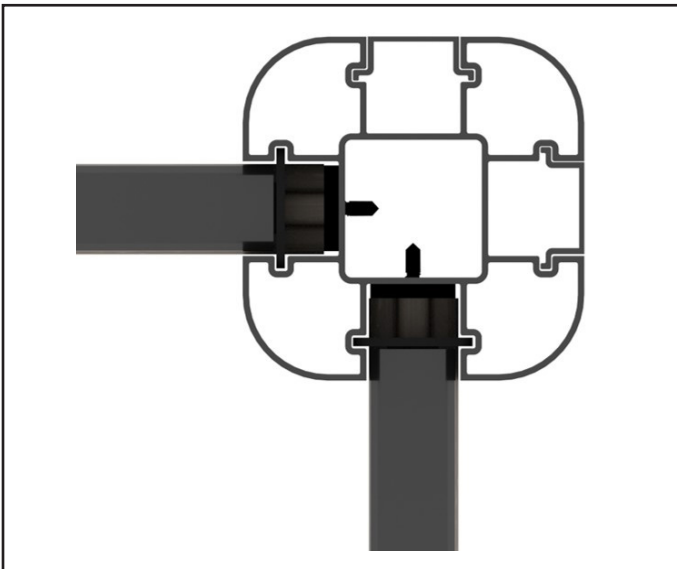
1 Straight Line



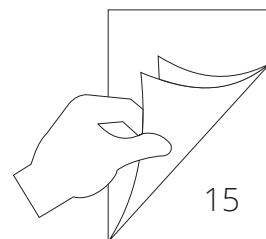
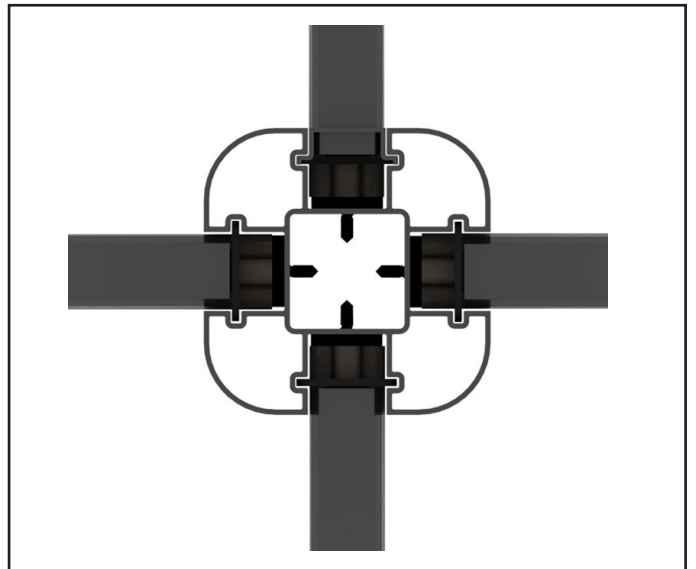
3 T-Intersection



2 Right-Angled Corner



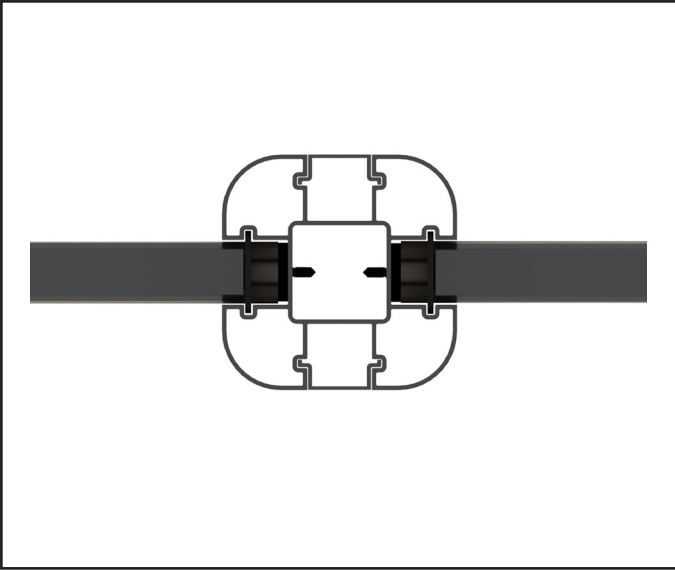
4 Cross-Intersection



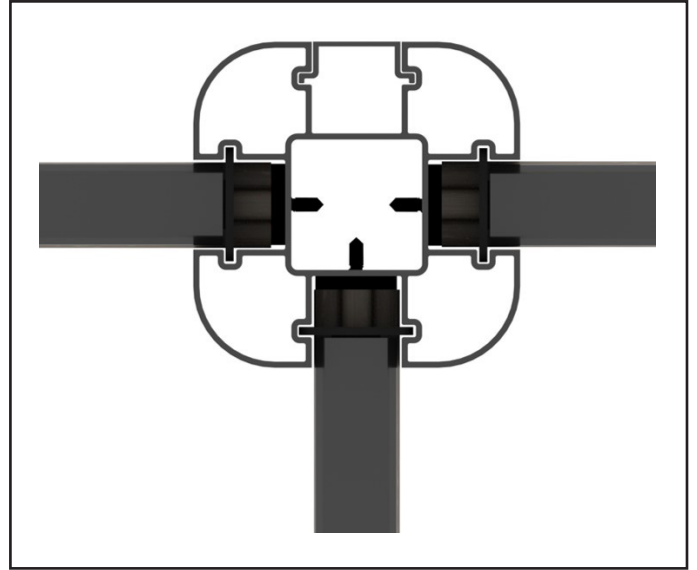
FRAMING: SURFACE MOUNT

Framing Layout Options for UltraEasy Fencing

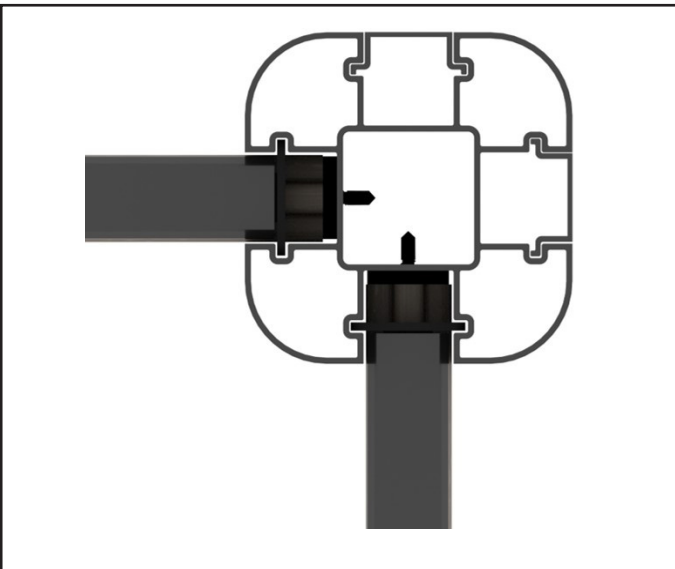
1 Straight Line



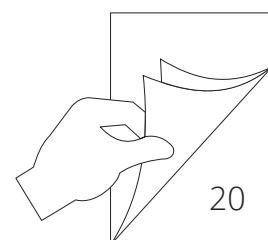
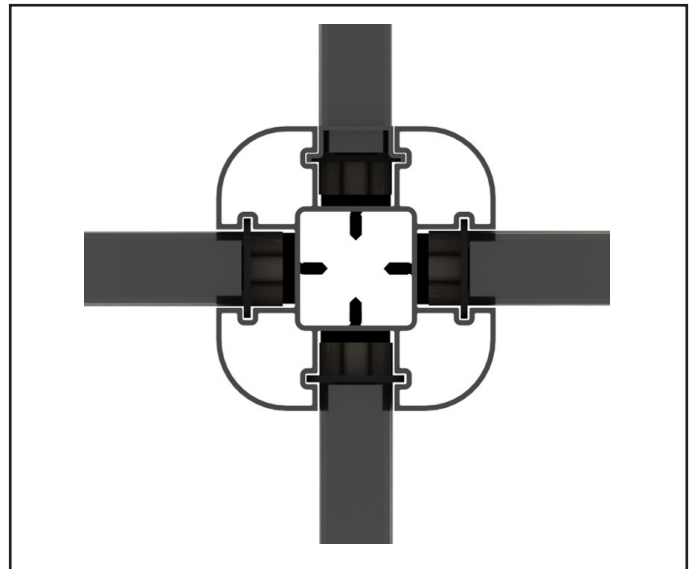
3 T-Intersection



2 Right-Angled Corner



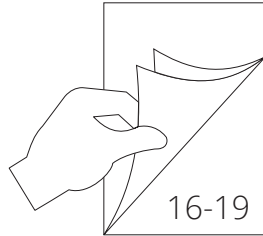
4 Cross-Intersection



INSTALLATION: IN GROUND POSTS

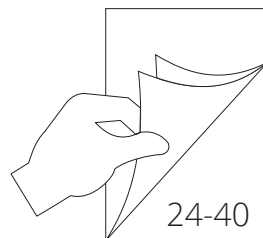
Step 1: Installing the Posts

- Measuring and marking the positions of the posts
- Digging the post holes
- Setting the posts



Step 2: Installing the Fence Boards

- Installing the Bottom Trim Bracket
- Installing the Bottom Aluminum Trim
- Installing the Spring Wedges
- Fence Boards Orientation
- Installing Fences UUH24, UH66, UH105
- Installing the Top Aluminum Trim, Cut Post Trims, and Fence Post Caps



Step 1: Installing the Posts

Measuring and Marking the Positions of the Posts

- 1.1** Measure and position the posts on the ground at a distance of 5' 10-7/8" center to center of the posts. Mark the positions (Diagram 1.1).

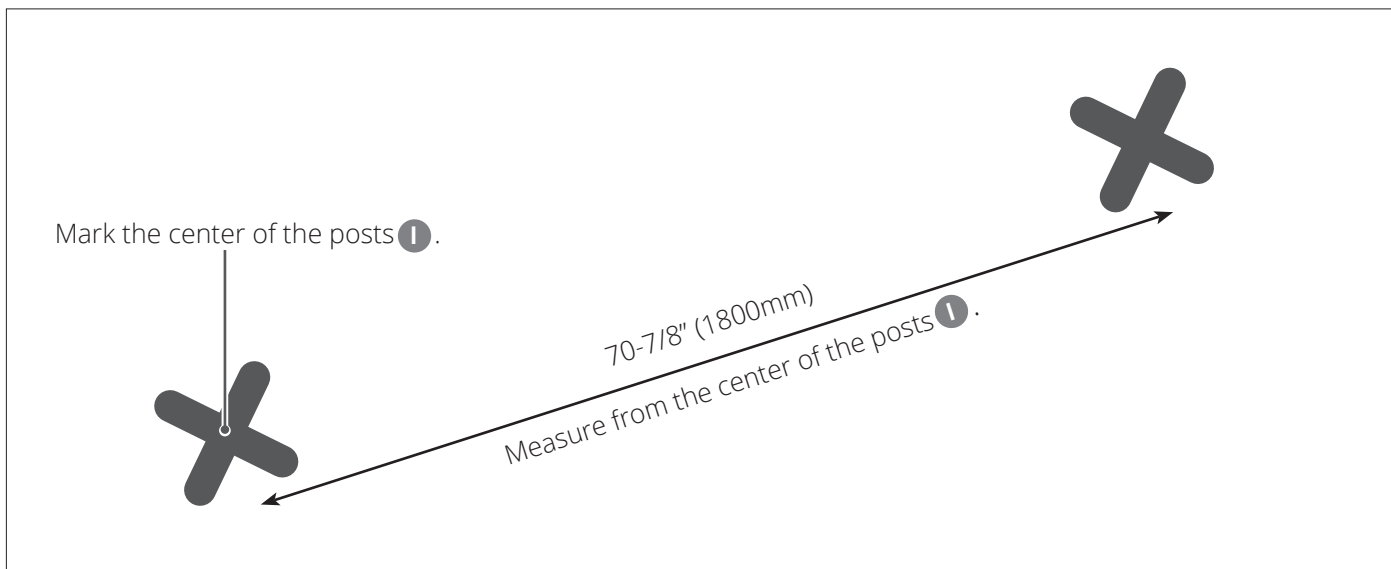


Diagram 1.1

Digging the Post Holes

- 1.2**
1. Dig the post holes so that they are 25-9/16" deep. This is about one-third of the height of a post.
 2. Make sure the diameter of the holes is 9-7/16" each. This is about three times the width of a post.

Note:

In colder climates, the depth of the hole must be below the frost. You can check online for this information or contact your local building office.

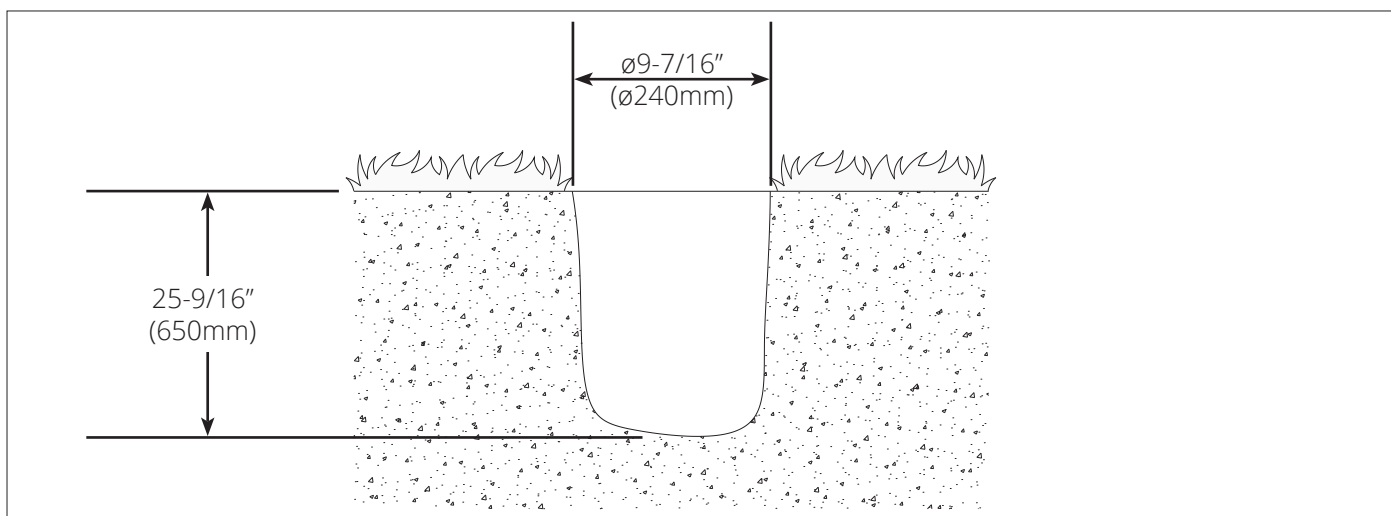


Diagram 1.2

- 1.3** Lay 6" of gravel at the bottom of the hole to allow for proper water drainage (Diagram 1.3).

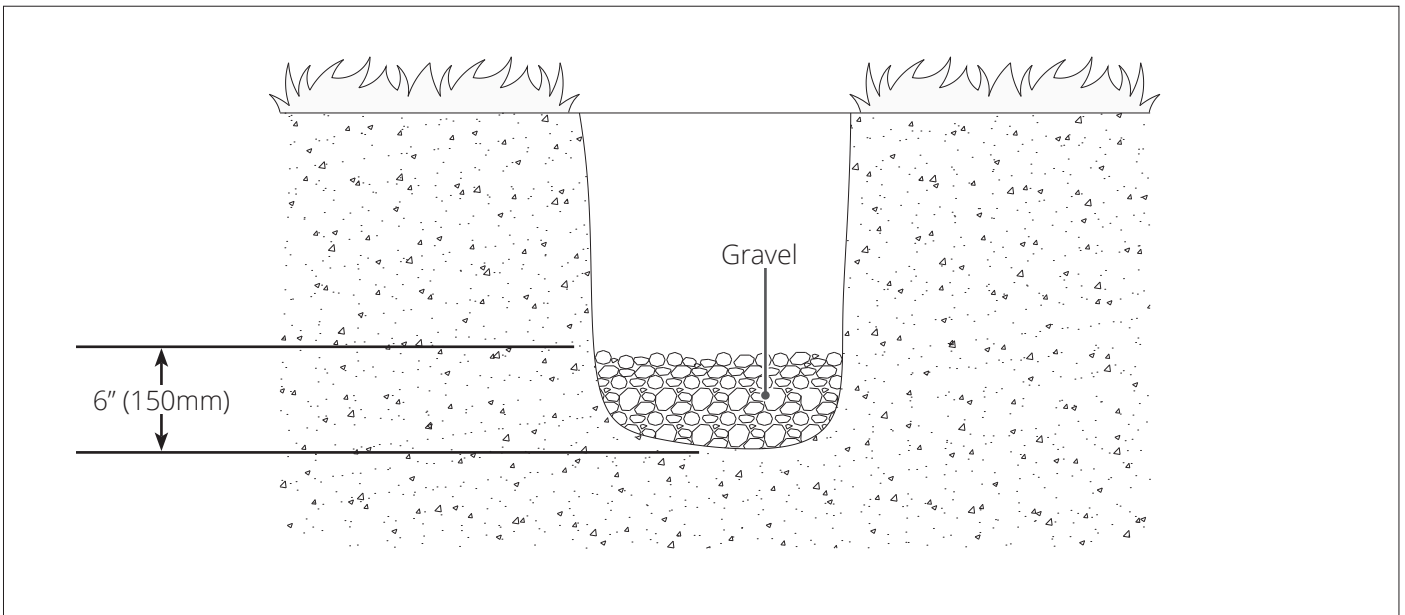


Diagram 1.3

Setting the Posts

- 1.4** 1. Position the Post **I** in the middle of the hole on top of the gravel. Make sure the post is plumb by using a post level.
2. Check that the post height from ground level up is 74-13/16" (Diagram 1.4).

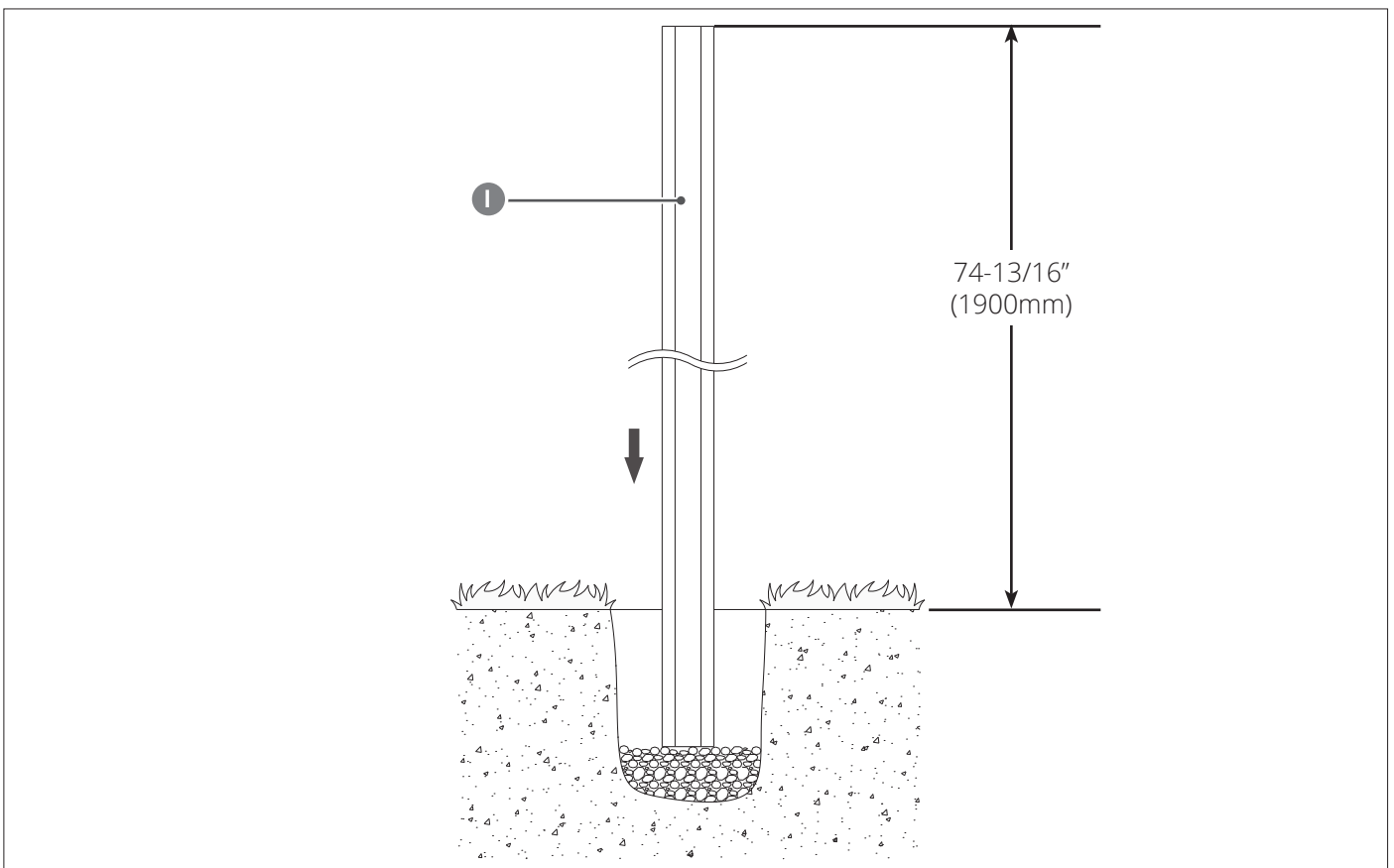


Diagram 1.4

1.5 Pour the concrete into the hole until it is 2" from the ground level (Diagrams 1.5.1 and 1.5.2).

Note:

- Pour the concrete evenly around the posts.
- Ensure the posts are plumb and level before the concrete sets.

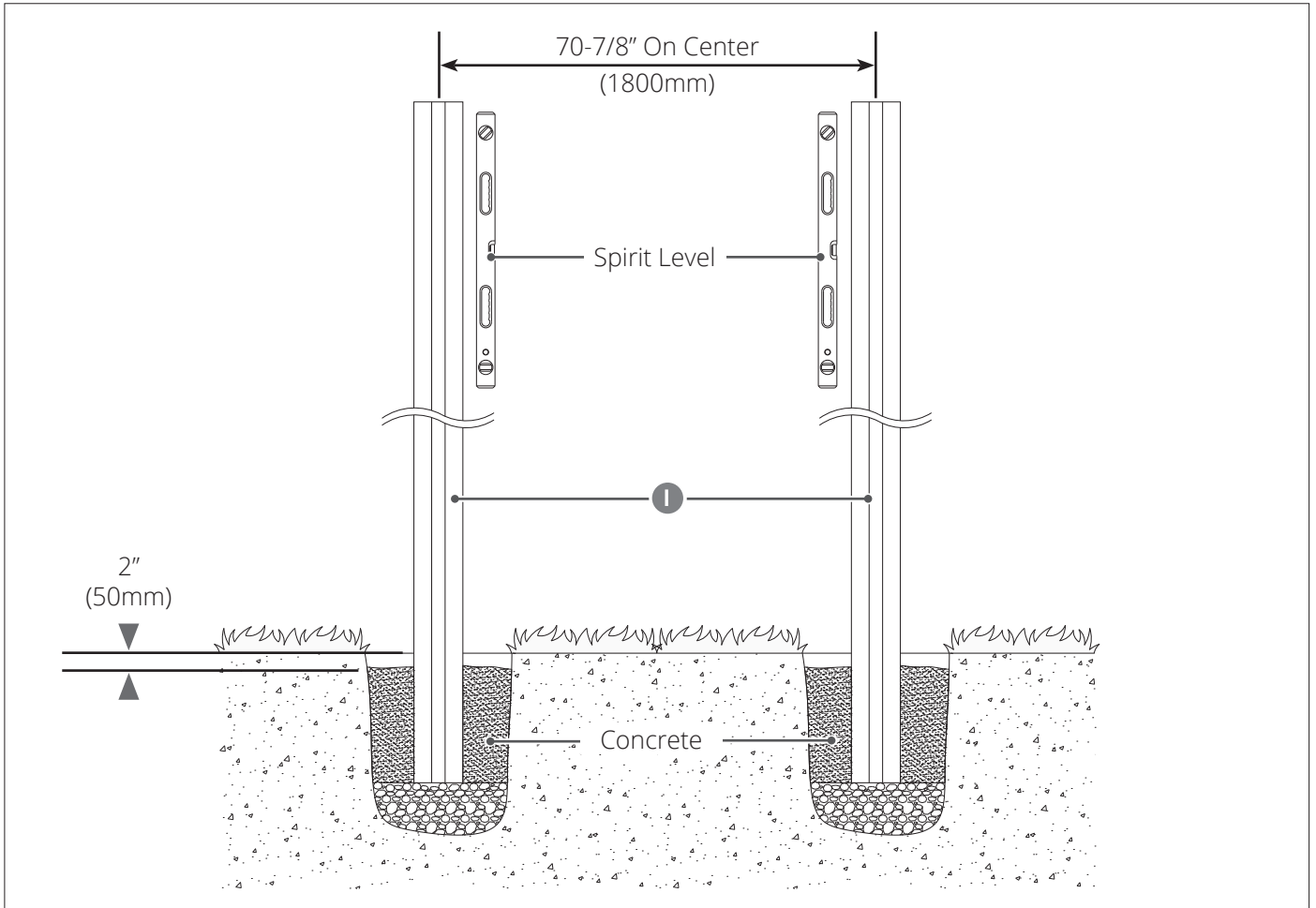


Diagram 1.5.1

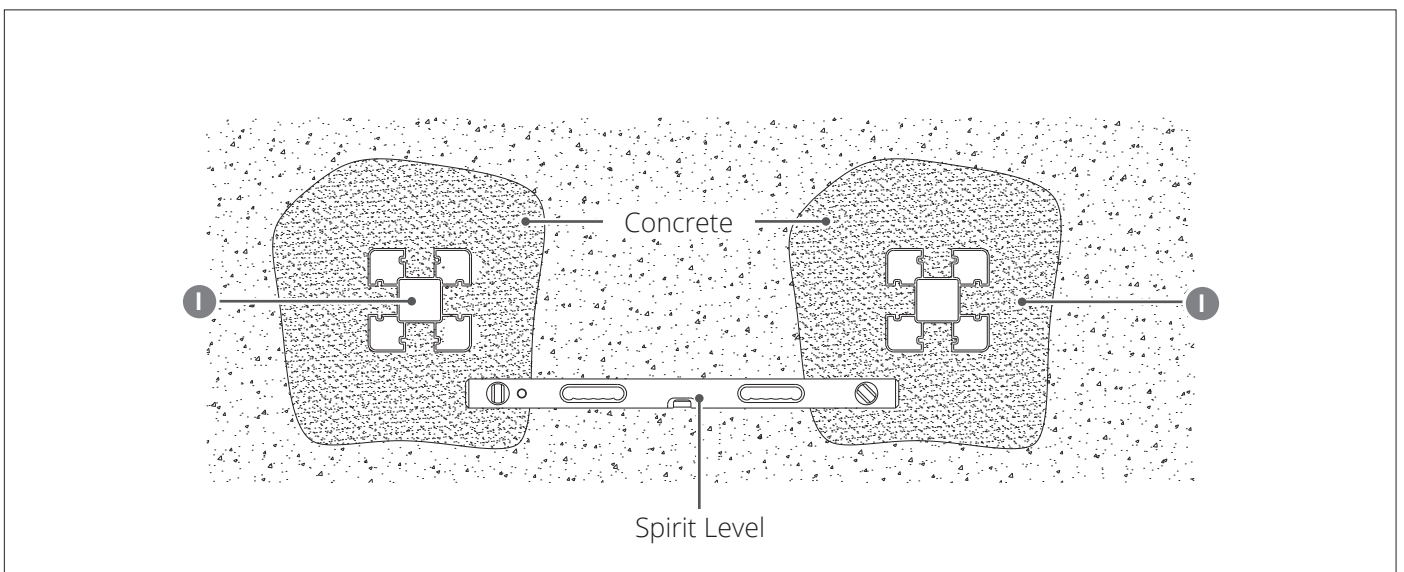


Diagram 1.5.1

1.6 After the concrete has set and hardened, fill in the remaining 2" with dirt (Diagram 1.6).

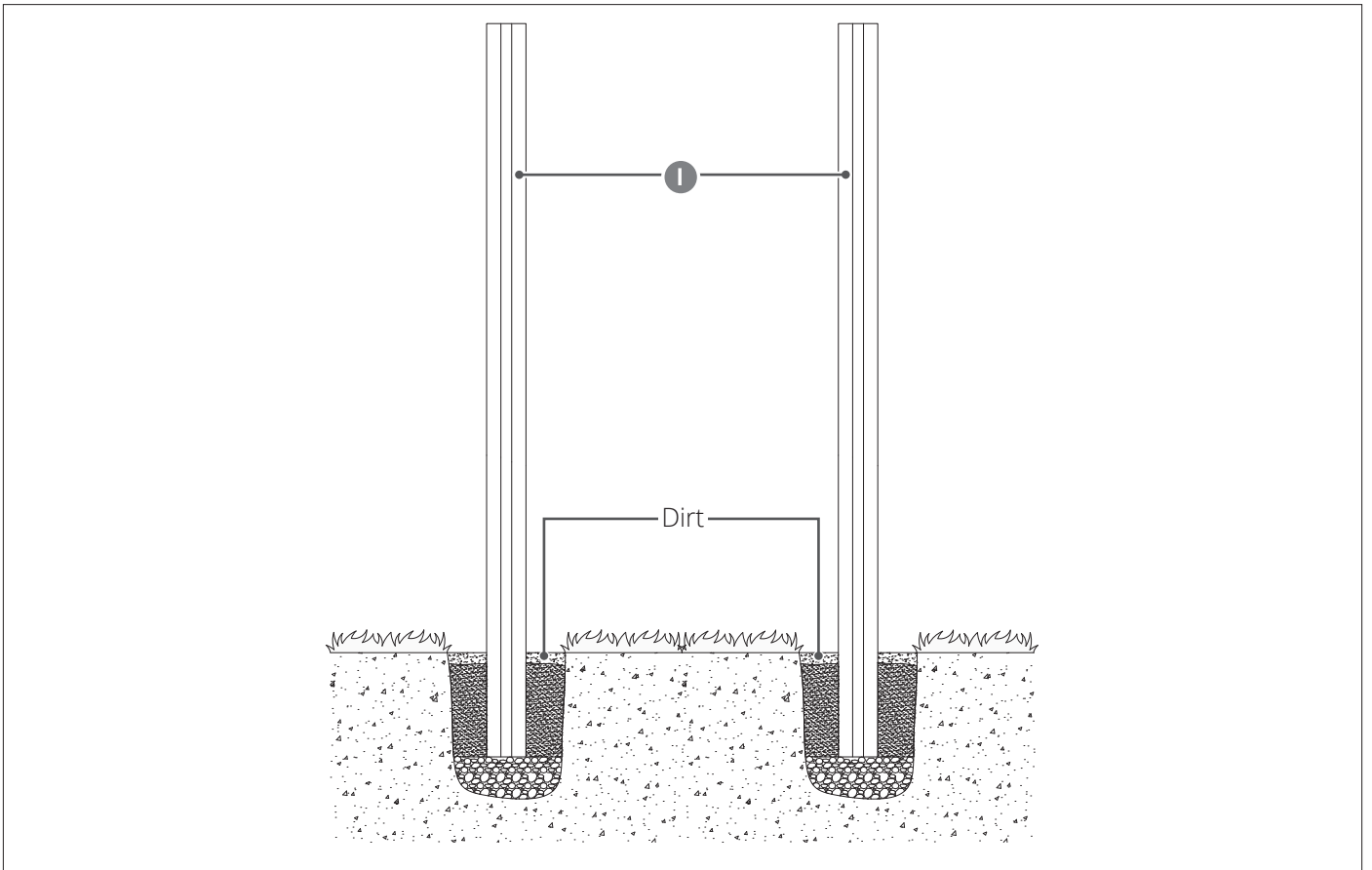
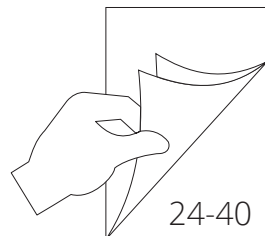


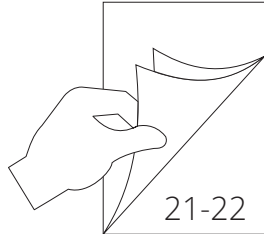
Diagram 1.6



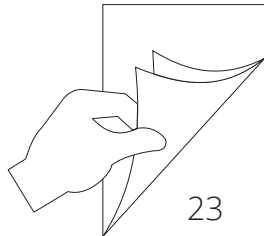
INSTALLATION: SURFACE MOUNT POSTS

Step 1: Installing the Post Mounts

- Measuring and marking the positions of the post mounts
- Fixing the post mounts

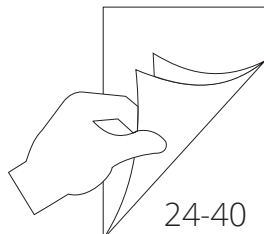


Step 2: Installing the Post Sleeves



Step 3: Installing the Fence Boards

- Installing the Bottom Trim Bracket
- Installing the Bottom Aluminum Trim
- Installing the Spring Wedges
- Fence Boards Orientation
- Installing Fences UUH24, UH66, UH105
- Installing the Top Aluminum Trim, Cut Post Trims, and Fence Post Caps



Step 1: Installing the Post Mounts

Measuring and Marking the Positions of the Post Mounts

- 1.1 • Measure and position the Post Mounts **N** on the ground at a distance of 5' 10-7/8" center to center of the posts.
- Mark the Thread Rod **O** holes on the ground (Diagram 1.1).

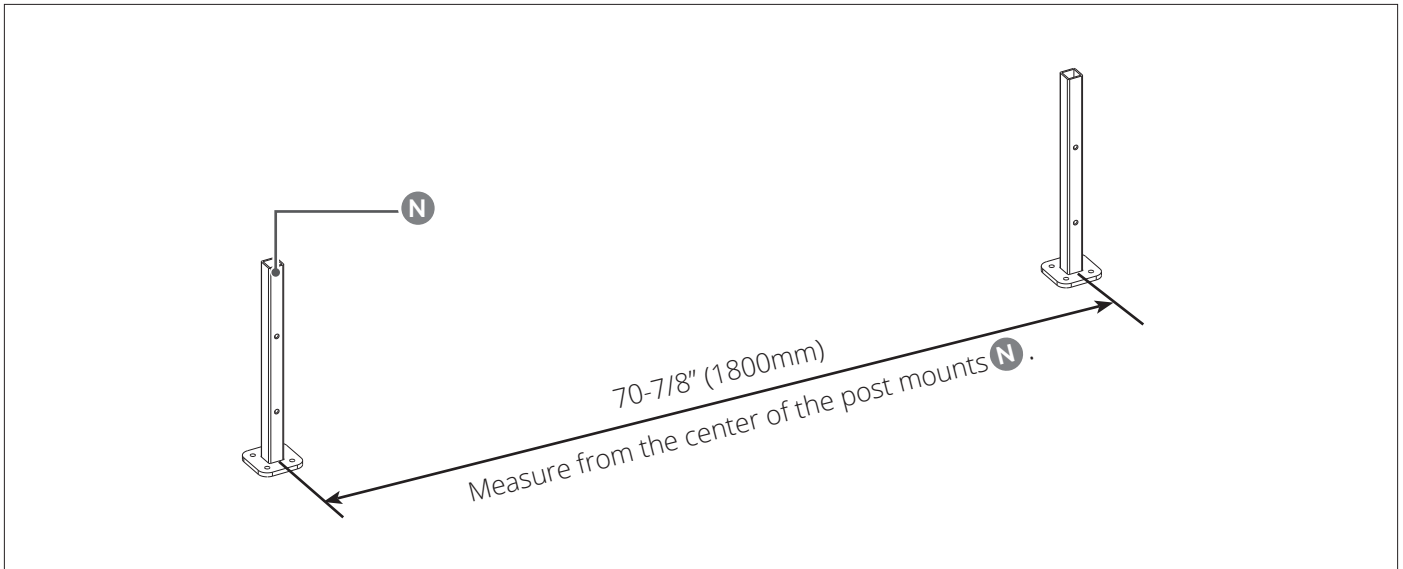


Diagram 1.1

- 1.2 Install the Thread Rod **O** according to the below procedures and Diagram 1.2
 1. Use an electric hammer drill ($\varnothing 3/8$ " bit) to drill the thread rod holes in the ground.
 2. Remove the dust from the hole by using a blow pump or oil-free compressed air pump.
 3. Clean the hole area using a stiff nylon brush.
 4. Clean the hole again by using a blow pump or hand-held vacuum cleaner. Make sure all particles and dust are completely removed.
 5. Fill in the hole using the Chemical Anchoring **R** material.
 6. Insert the Thread Rod **O** into the hole immediately. Use a slow, slightly twisting action.
 7. Remove excess Chemical Anchoring **R** material from the top of the hole.

Safety Notes

1. **Always wear the appropriate safety equipment to avoid risk of injury. Recommended safety equipment includes, but is not limited to, chemical resistant gloves, safety eye-glasses, long sleeves, long pants, and safety footwear.**
2. **When working on concrete, ensure the concrete is at least 4-5/16" thick.**
3. **Use a 3/8" masonry drill bit to drill the hole for the Thread Rod **O**. Make sure the depth of the hole is 3-1/8".**
4. **Leave the Chemical Anchoring **R** material to cure. For the cure time, check the manufacturer's instructions.**
5. **When handling chemical anchors, always follow the manufacturer's instructions.**

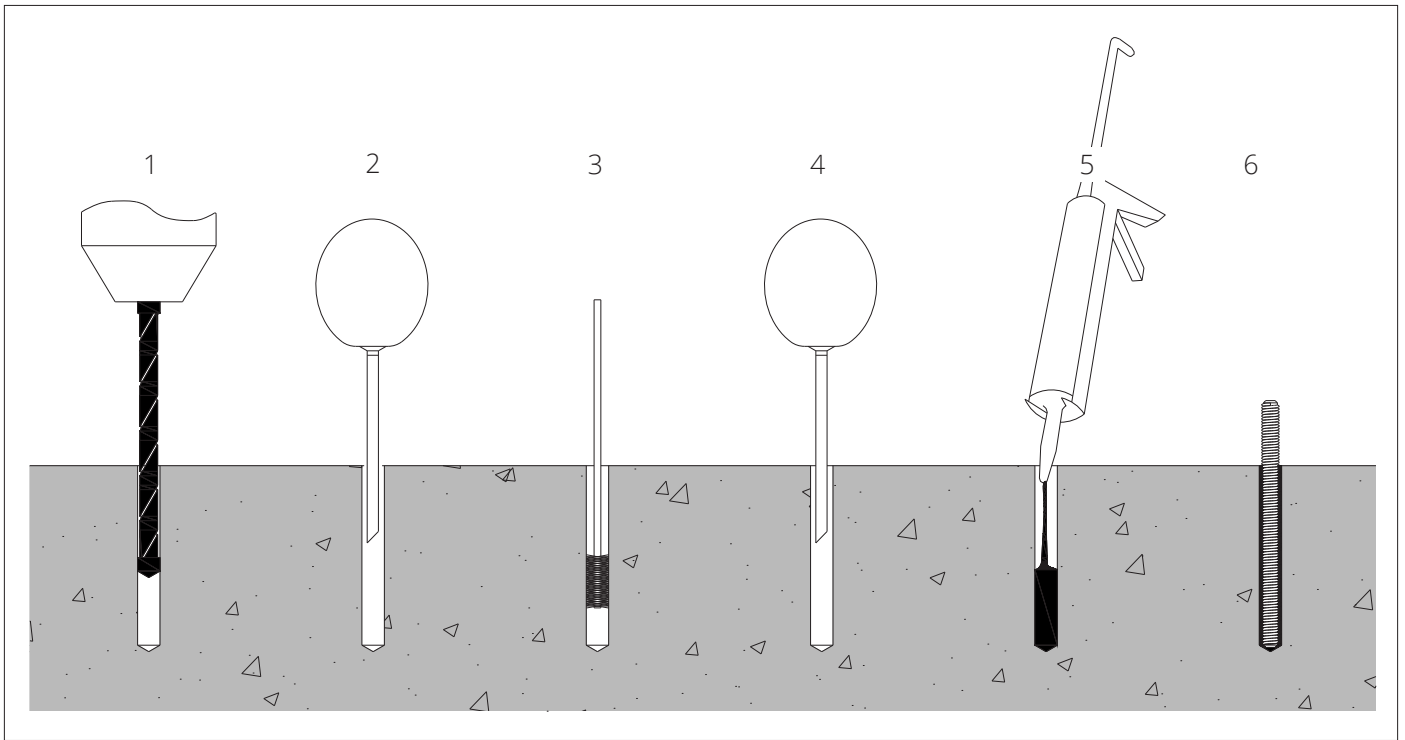


Diagram 1.2

- 1.3 • When the Chemical Anchoring[®] material has reached the cure time, put the Post Mount[®] into place (Diagram 1.3.1).
- Secure the Post Mount[®] with the Lock Nut[®] (Diagram 1.3.2).

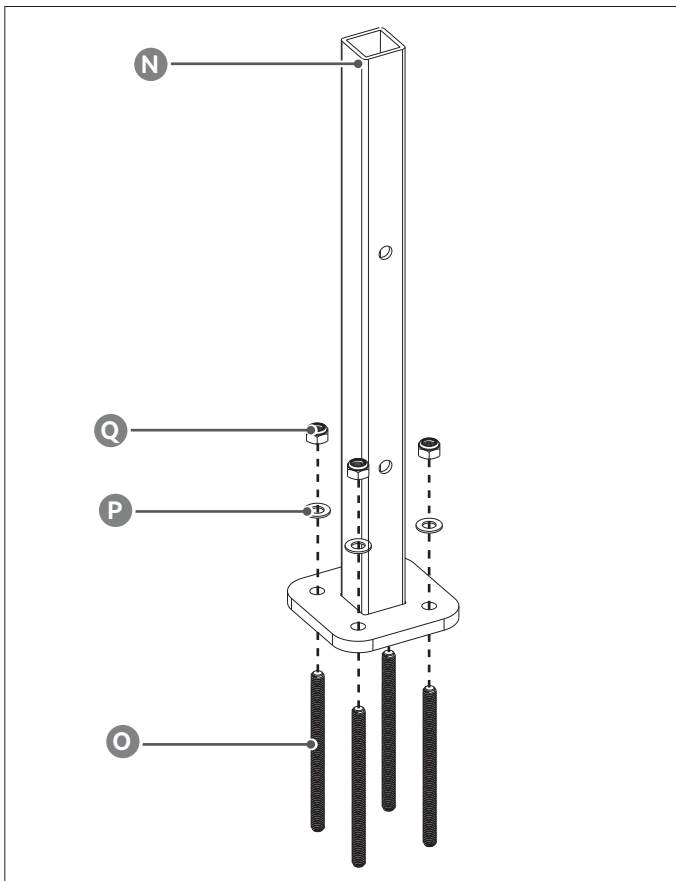


Diagram 1.3.1

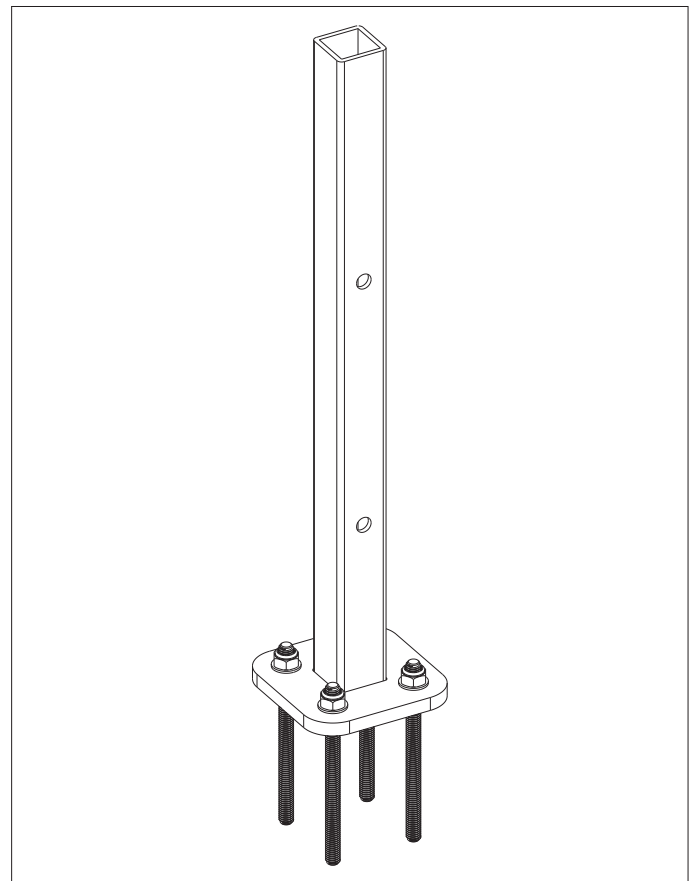


Diagram 1.3.2

Step 2: Installing the Post Sleeves

2.1 Slot the Post **I** over the Post Mounts **N** (Diagram 2.1.1).

Note:

Check if the Post Sleeves are slotted properly onto the Post Mounts (Diagram 2.1.2).

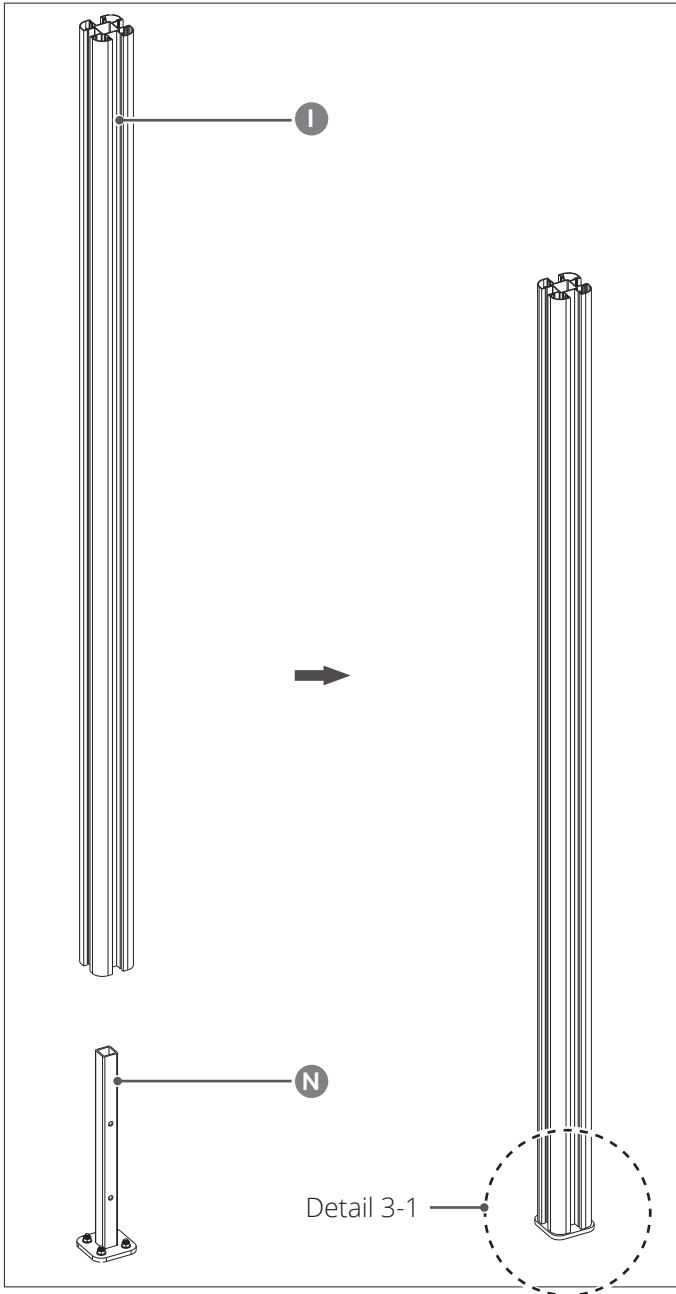
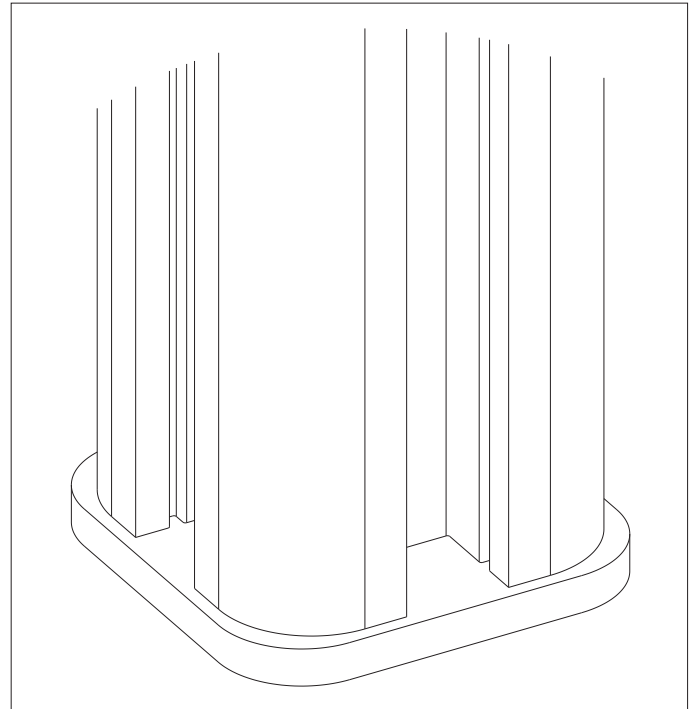
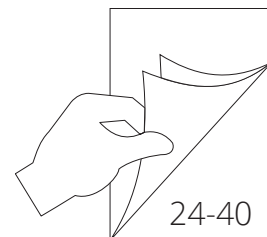


Diagram 2.1.1



Detail 3-1



INSTALLATION: FENCE BOARDS FOR IN GROUND (STEP 2) AND SURFACE MOUNT (STEP 3)

Installing the Bottom Trim Bracket

1. Insert a Bottom Trim Bracket **G** into the bottom of each Post **I** (Diagram 1.1).
2. Secure it with a Screw **H** (Detail 1.1-1).

Note:

Ensure the Bottom Trim Bracket sits properly in the bottom of the Post.

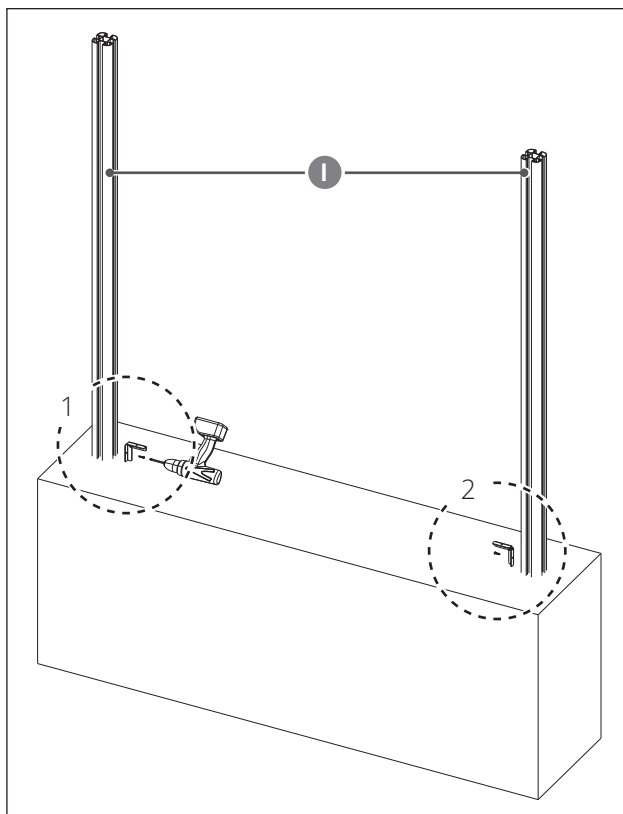
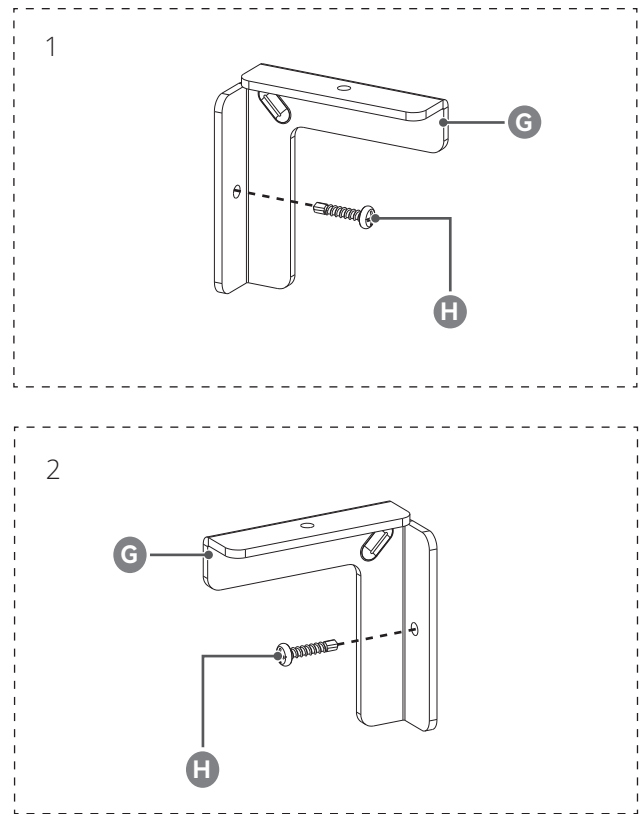


Diagram 1.1



Detail 1.1-1

Installing the Bottom Aluminum Trim

- 2 Slot the Aluminum Bottom Trim **C** onto the Bottom Trim Bracket **G** (Diagram 2.1 and Detail 2.1-1).

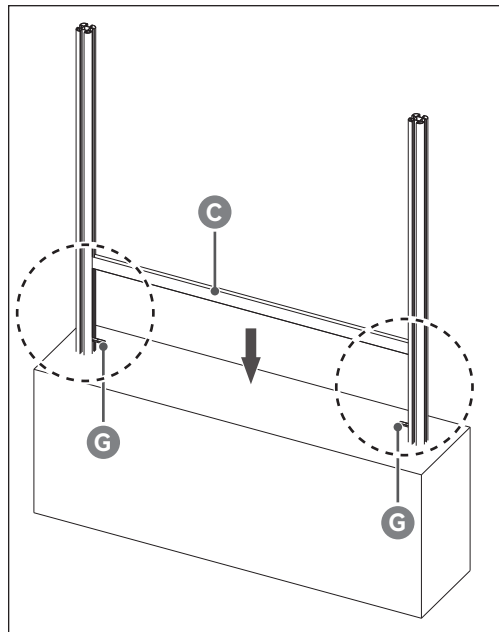
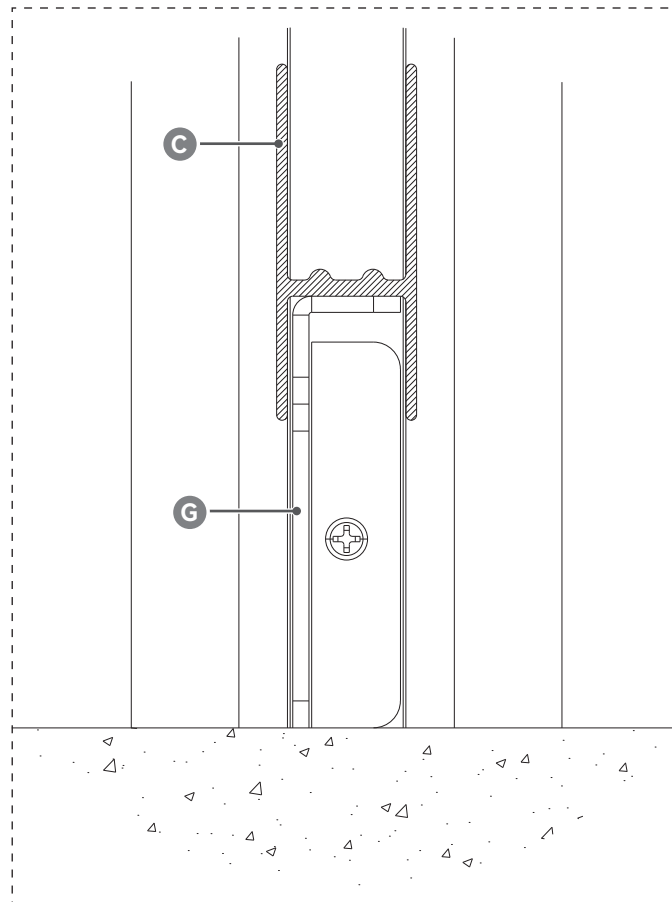


Diagram 2.1



Detail 2.1-1

Installing the Spring Wedges

- 3.1** Slot the Spring Wedges **L** into the Post **I** and secure them with screws **H** (Diagram 3.1 and Detail 3.1-1).

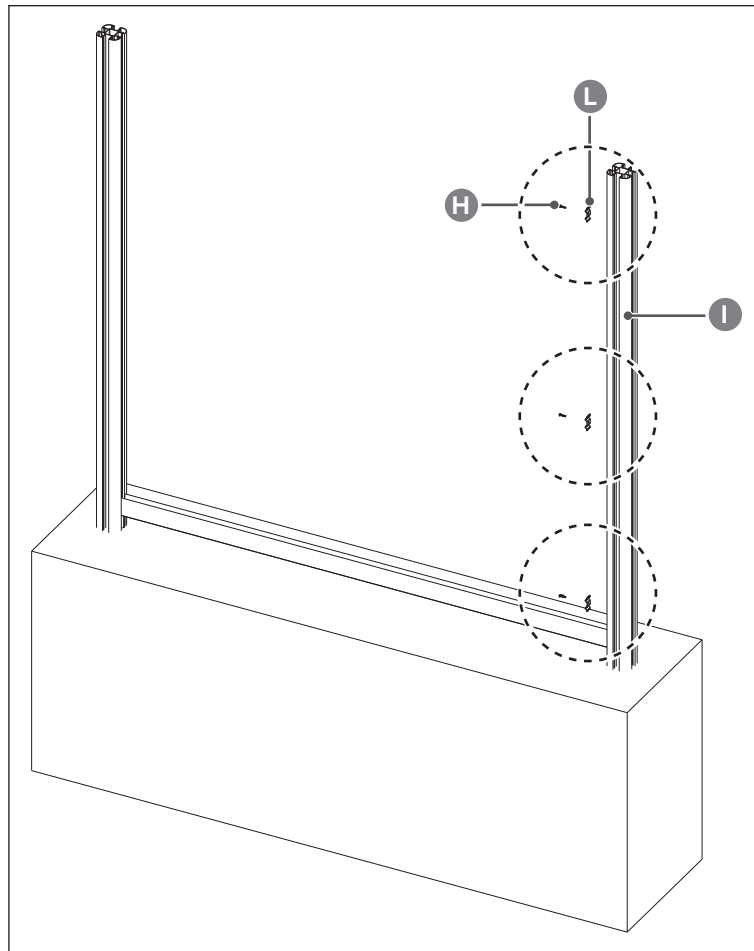
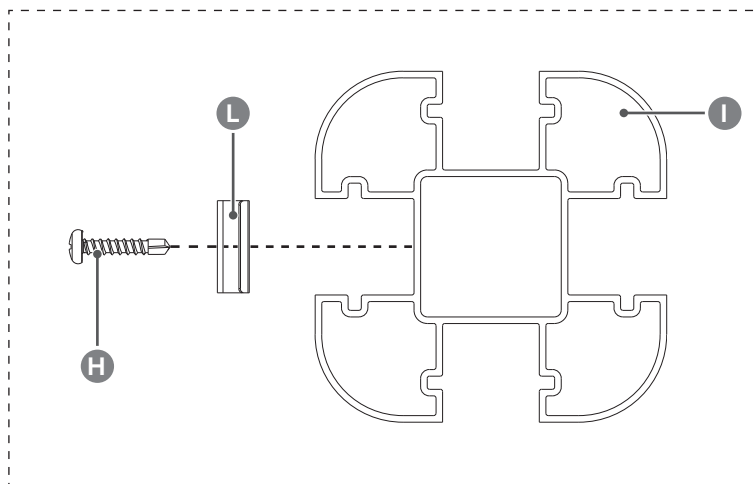


Diagram 3.1



Detail 3.1-1

3.2 The Spring Wedges **L** are installed in only one Post **I** (Diagram 3.2).

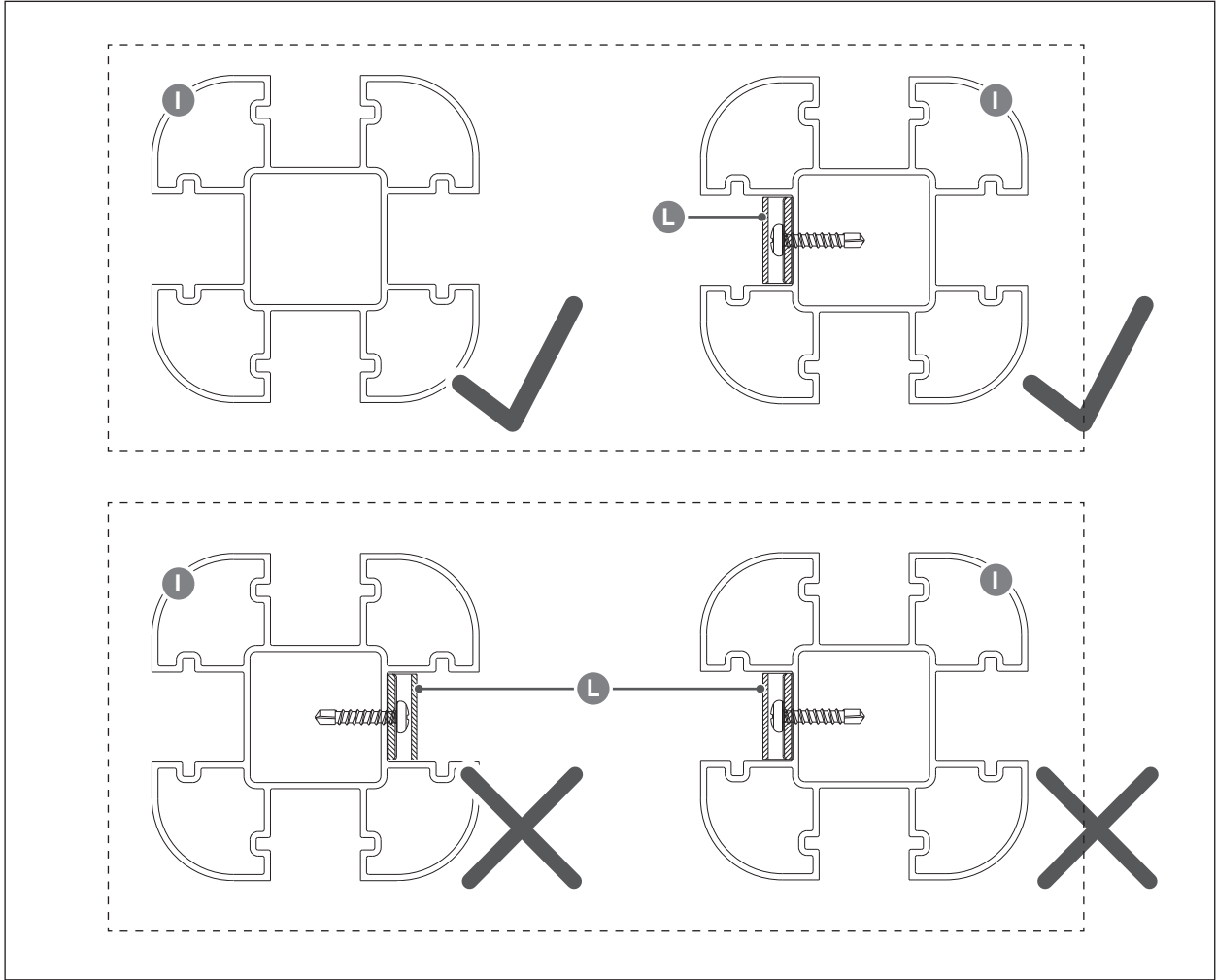


Diagram 3.2

Fence Boards Orientation

- Note the orientation of the Fence Board **A** (Diagram 4.1) when inserting it into the Post **I** (Diagram 4.2).

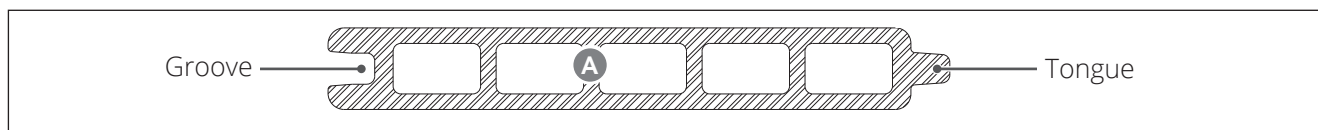


Diagram 4.1

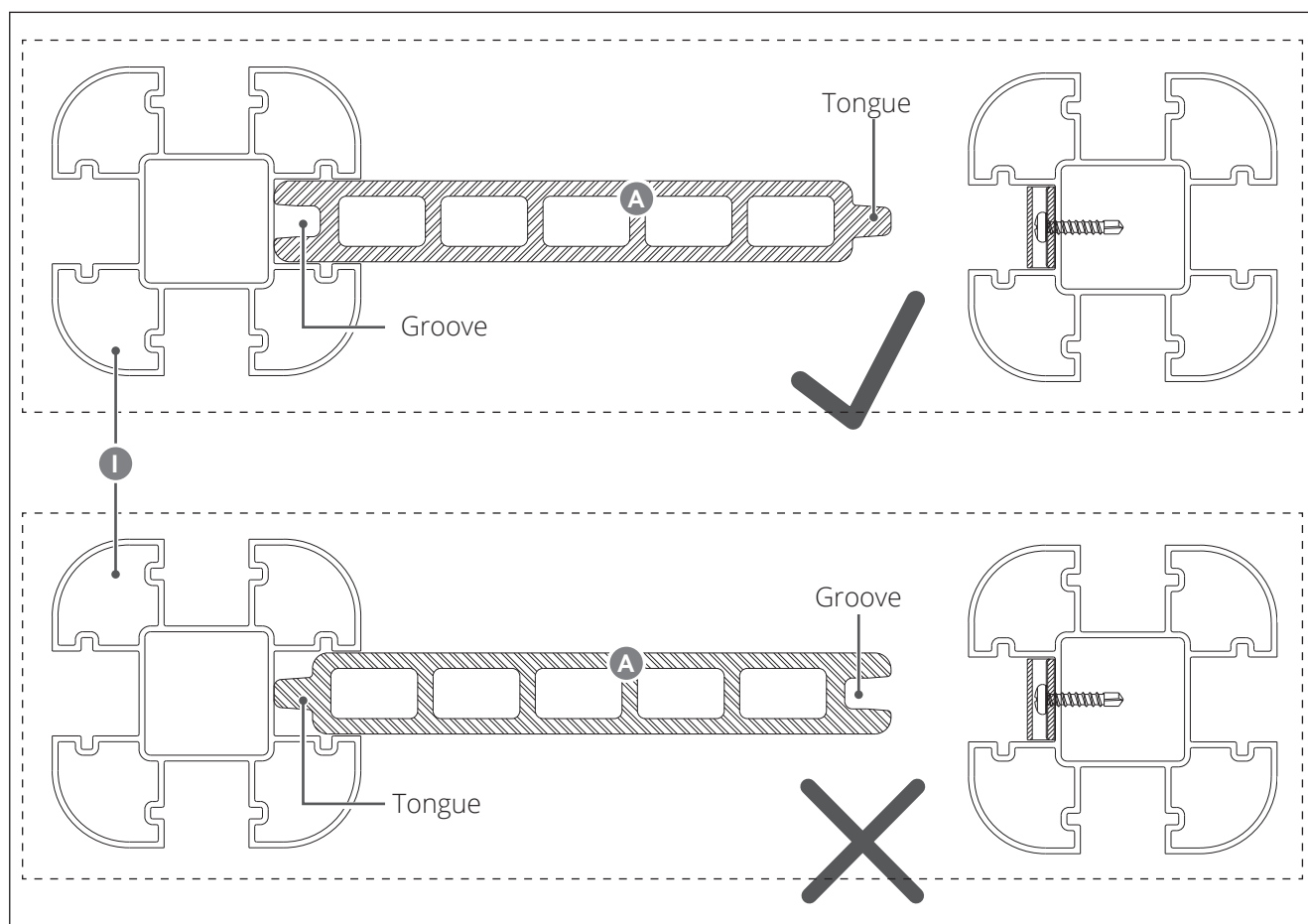


Diagram 4.2

Flat Fencing UH24 Installation

- 5.1** 1. Stick the Rubber Pads **M** onto both sides of the Galvanised Steel Tubes **D** at their tops and bottoms (Diagram 5.1.1). Note that each Galvanised Steel Tube should have 4 Rubber Pads, with 2 on each side.

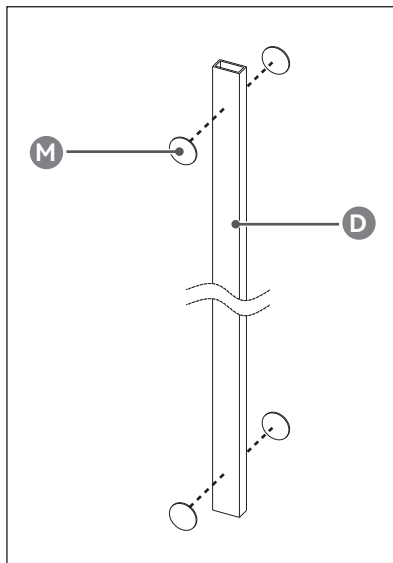


Diagram 5.1.1

2. Slot the Galvanised Steel Tubes **D** into the 2nd, 5th, 8th, and 11th Fence Boards **A**.

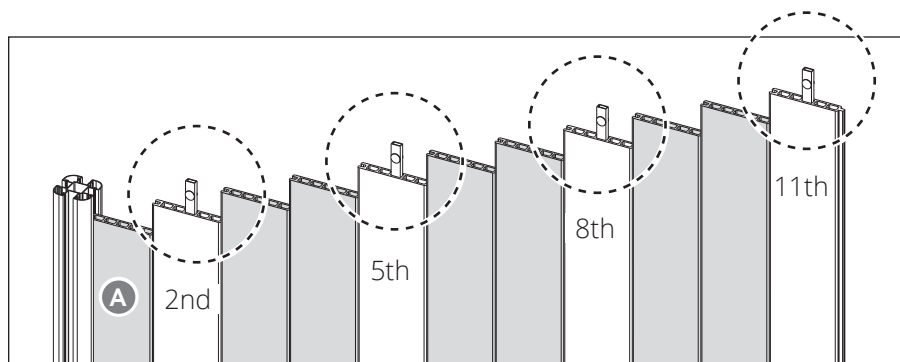
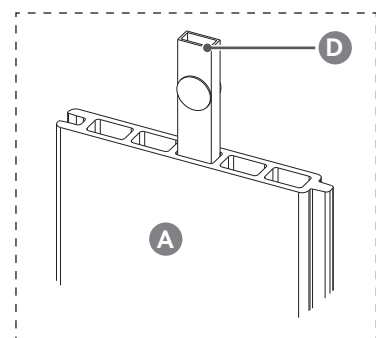


Diagram 5.1.2



Detail 5.1.2-1

3. When slotting in the Fence Boards **A**, note the orientation of each Fence Board.

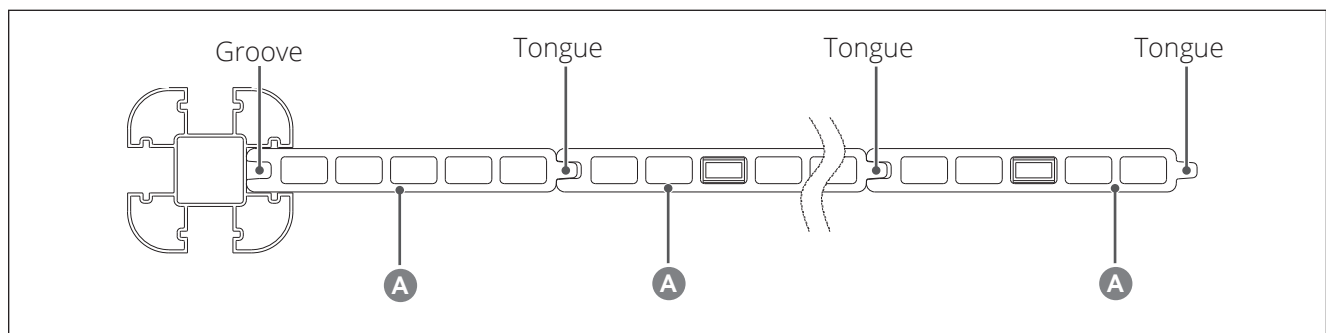


Diagram 5.1.3

- 5.2 For the last Fence Board **A**, measure the space (X) between the second-to-last Fence Board and the Spring Wedge **L**.

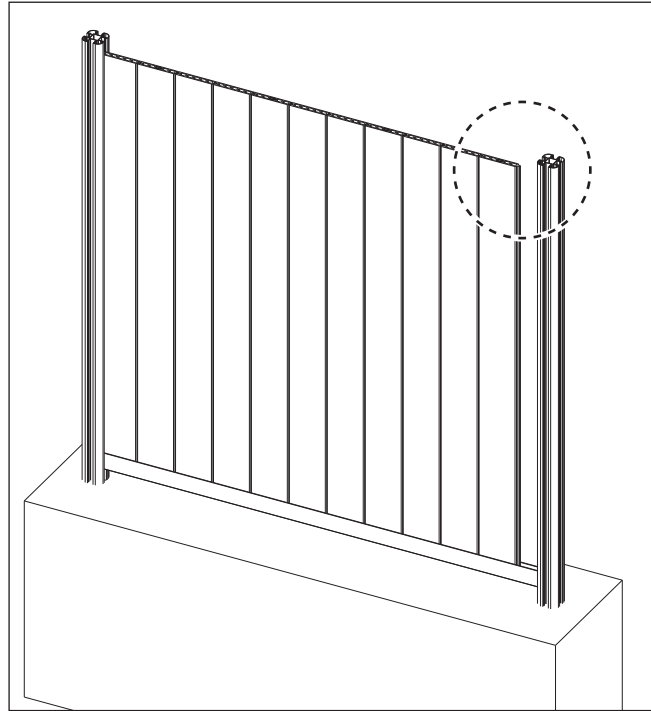
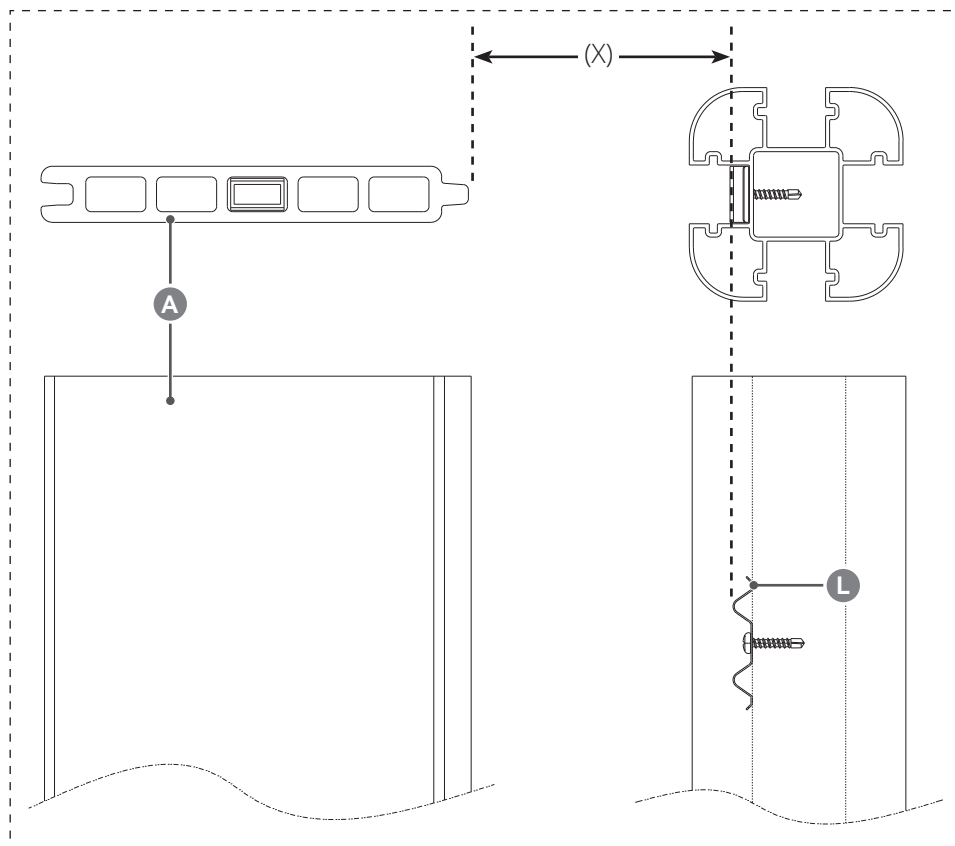


Diagram 5.2.1



Detail 5.2.1-1

- 5.3 1. Rip the last Fence Board **A** according to the below calculation:

$$\text{Measurement to Rip (Z)} = X + 1/2''$$

Example:

If X = 1"

Add 1/2"

Then Z = 1-1/2"

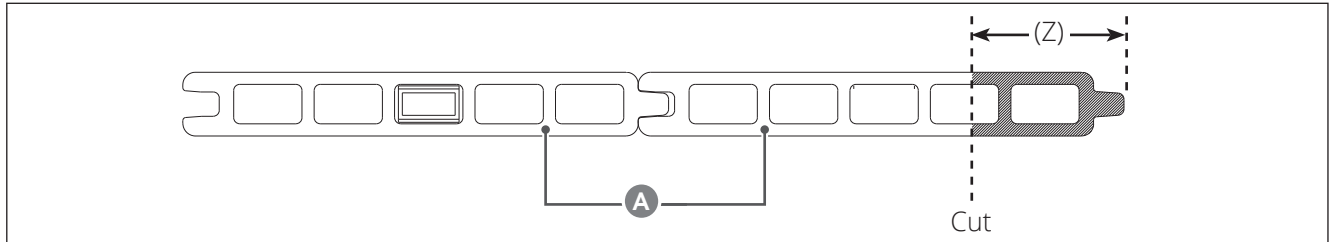


Diagram 5.3.1

2. Slot in the ripped Fence Board **A**. Use a plastic or rubber mallet with a scrap piece of board to hammer in the last board (Diagram 5.3.2).

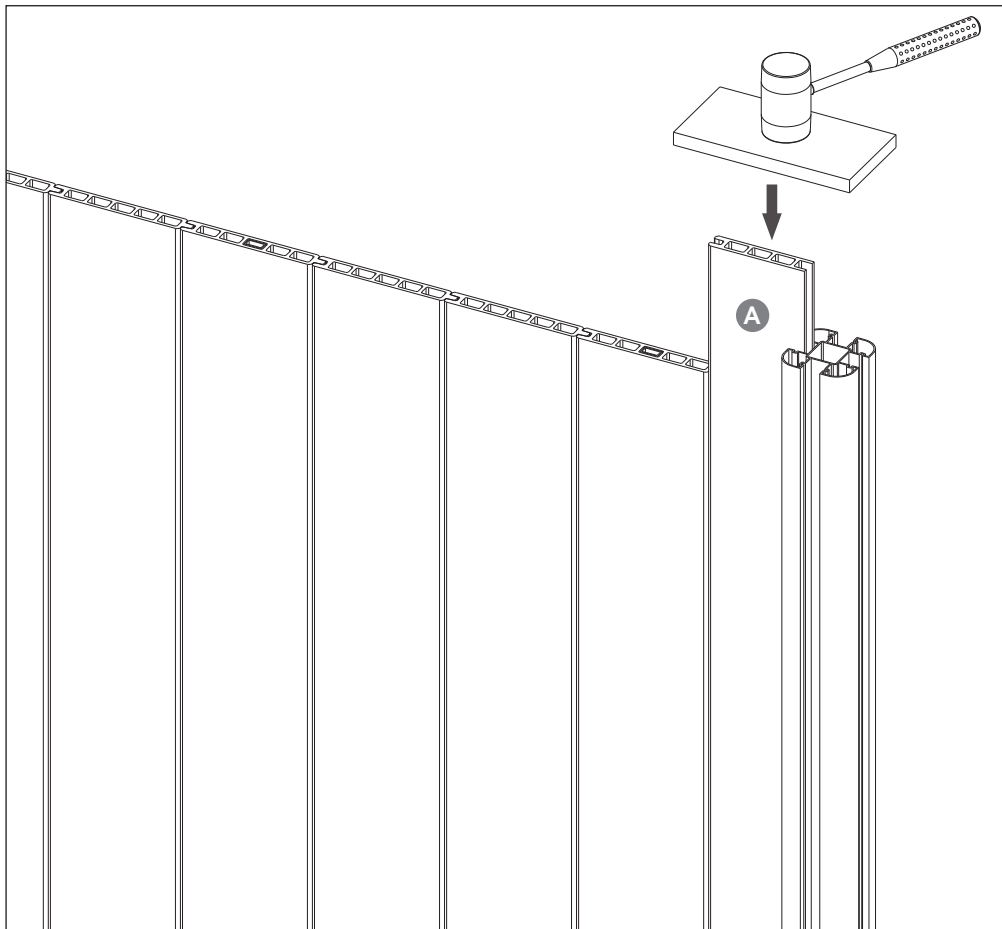


Diagram 5.3.2

European Fencing UH66 Installation

- 6.1 1. Stick the Rubber Pads **M** onto both sides of the Galvanised Steel Tubes **D** at their tops and bottoms (Diagram 6.1.1). Note that each Galvanised Steel Tube should have 4 rubber pads, with 2 on each side.

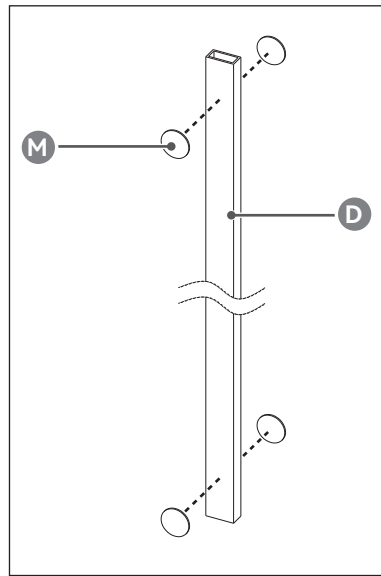


Diagram 6.1.1

2. Slot the Galvanised Steel Tubes into the 2nd, 5th, 8th, and 11th Fence Boards **A** (Diagram 6.1.2).

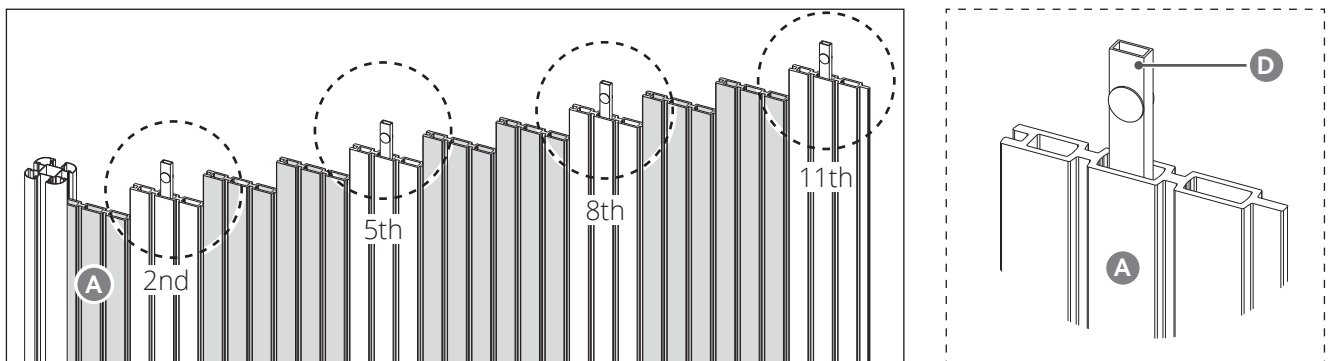


Diagram 6.1.2

3. When slotting in the Fence Boards **A**, note the orientation of each fence board (Diagram 6.1.3).

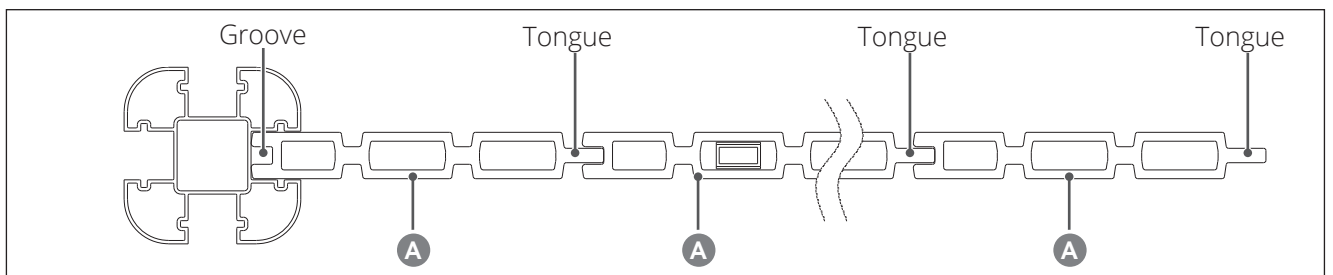


Diagram 6.1.3

- 6.2 For the last board, measure the space (X) between the second-to-last Fence Board **A** and the Spring Wedge **L** (Diagram 6.2.1 and Detail 6.2.1-1).

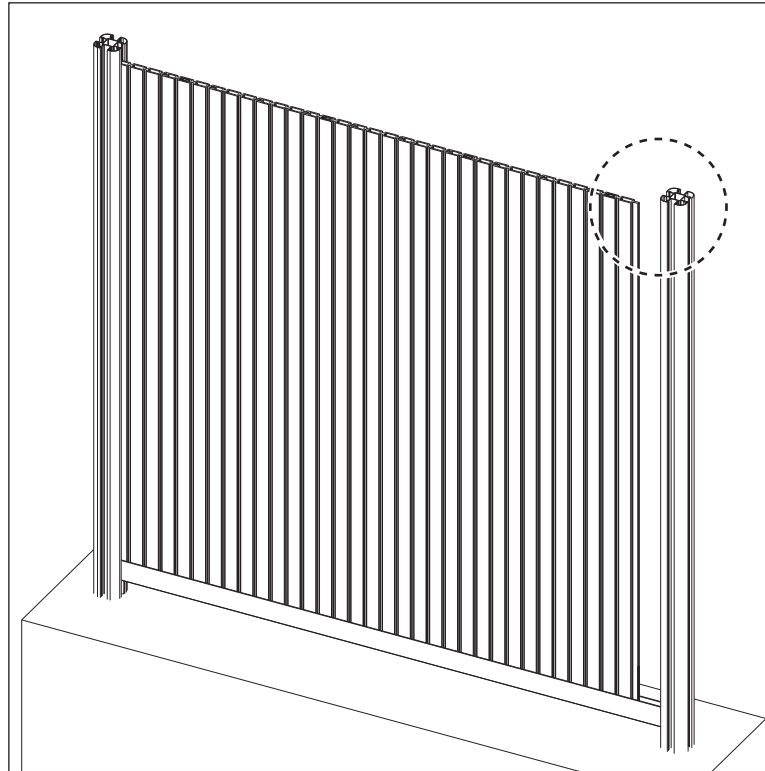


Diagram 6.2.1



Detail 6.2.1-1

- 6.3 1. Rip the last fence board **A** according to the below calculation:

$$\text{Measurement to Rip (Z)} = X + 1/2''$$

Example:

If $X = 1''$

Add $1/2''$

Then $Z = 1-1/2''$

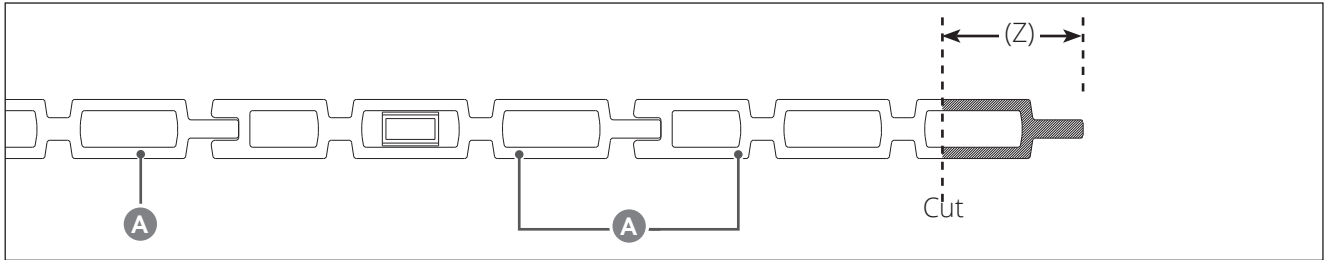


Diagram 6.3.1

2. Slot in the ripped fence board **A**. Use a plastic or rubber mallet with a scrap piece of board to hammer in the last board (Diagram 6.3.2).

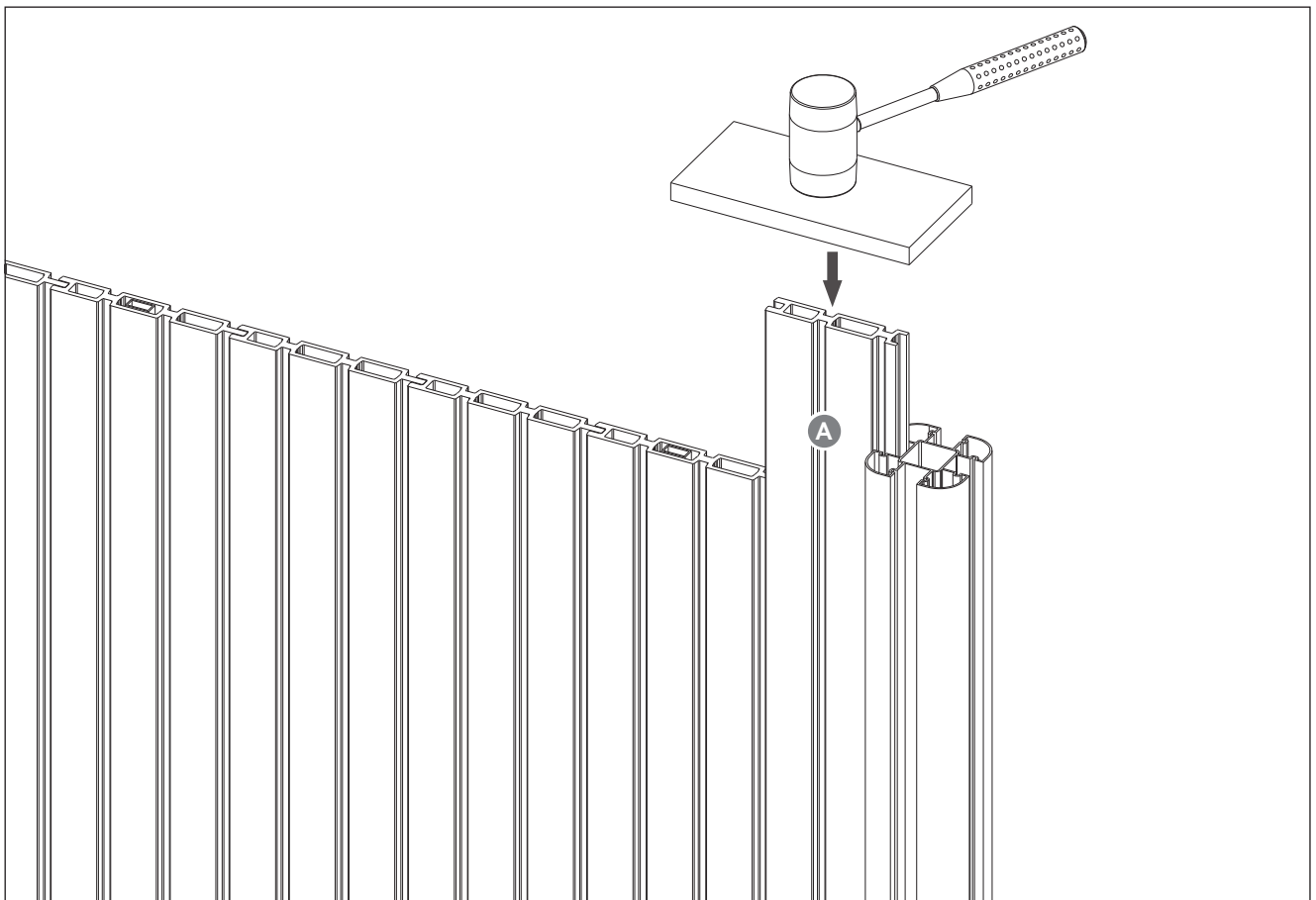


Diagram 6.3.2

Hybrid Fencing UH105 Installation

- 7.1** 1. Stick the Rubber Pads **M** onto both sides of the Galvanised Steel Tubes **D** at their tops and bottoms (Diagram 7.1.1). Note that each Galvanised Steel Tube should have 4 Rubber Pads, with 2 on each side.

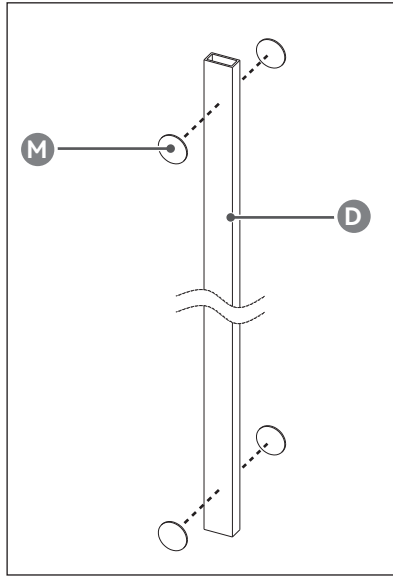


Diagram 7.1.1

2. Slot the Galvanised Steel Tubes **D** into the 2nd, 5th, 8th, and 11th Fence Boards **A** (Diagram 7.1.2 and Detail 7.1.2-1).

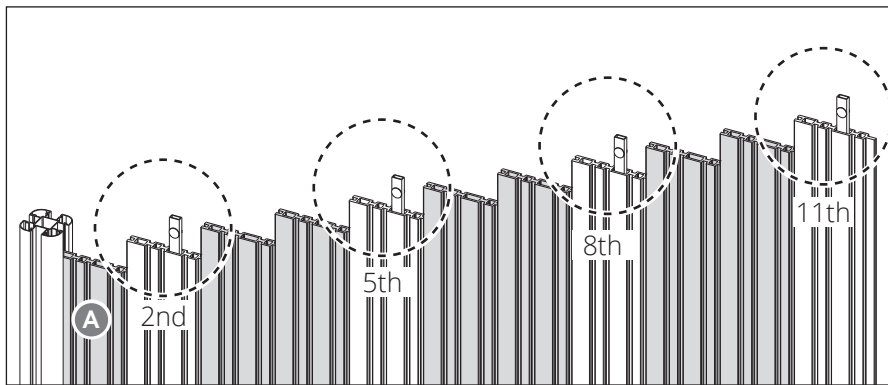
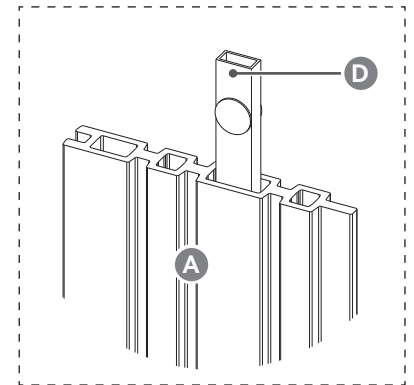


Diagram 7.1.2



Detail 7.1.2-1

3. When slotting in the Fence Boards **A**, note the orientation of each Fence Board (Diagram 7.1.3).

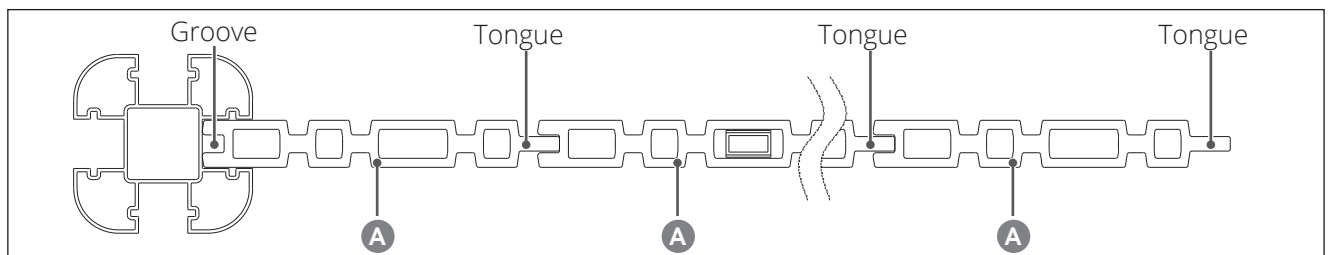


Diagram 7.1.3

7.2 For the last Fence Board **A**, measure the space (X) between the second-to-last Fence Board and the Spring Wedge **L** (Diagram 7.2.1).

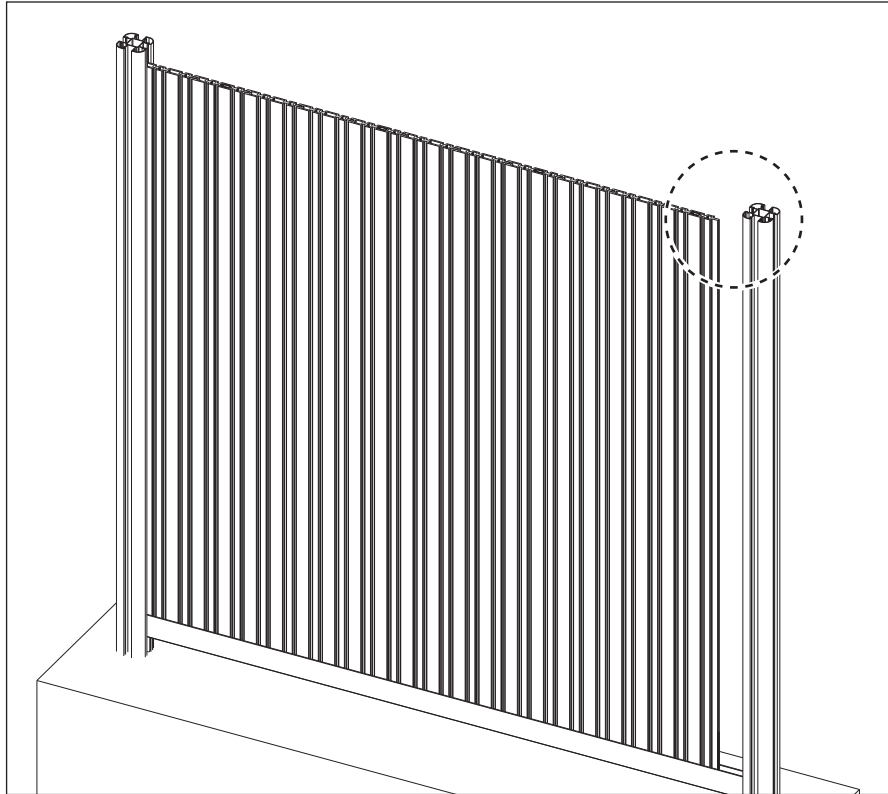
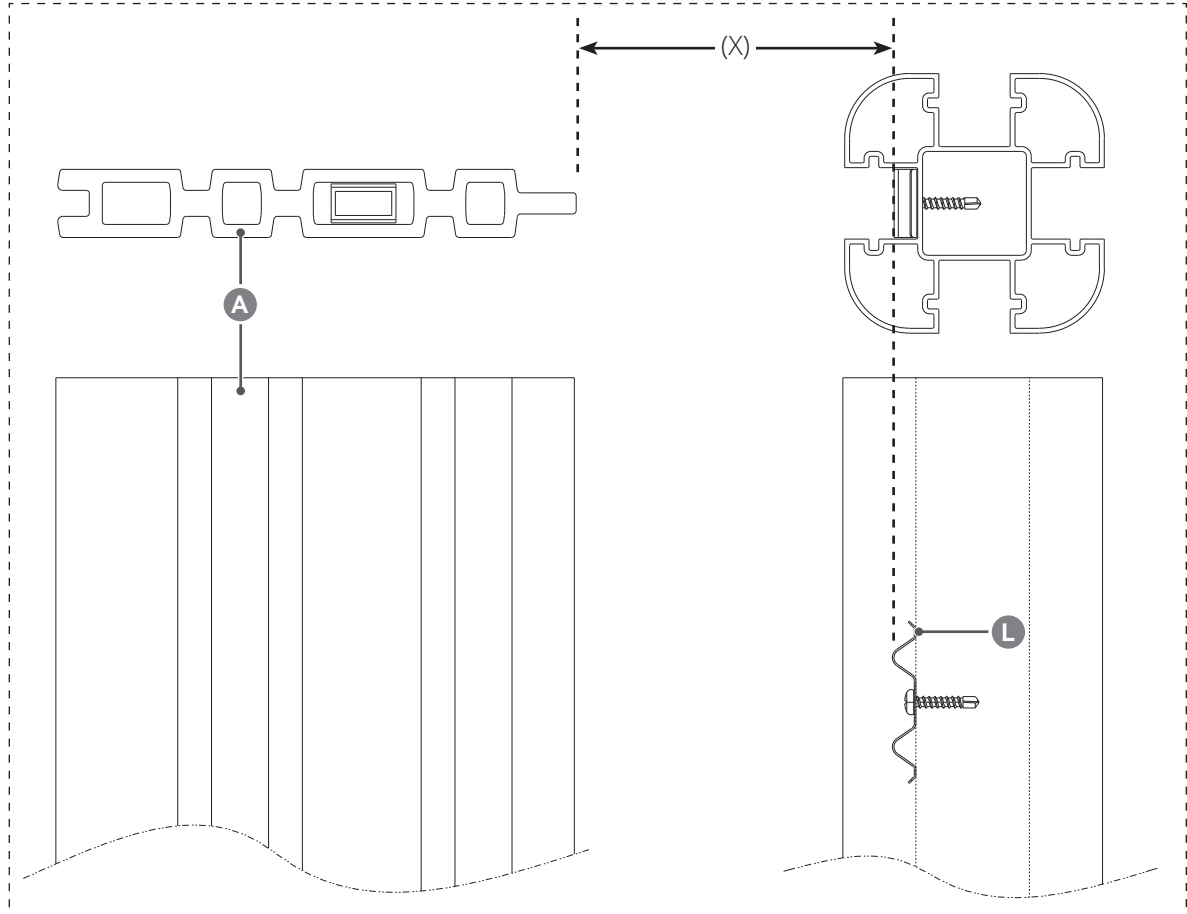


Diagram 7.2.1



Detail 7.2.1-1

- 7.3 1. Rip the last Fence Board **A** according to the below calculation:

$$\text{Measurement to Rip (Z)} = A + 1/2''$$

Example:

If $X = 1''$

Add $1/2''$

Then $Z = 1-1/2''$

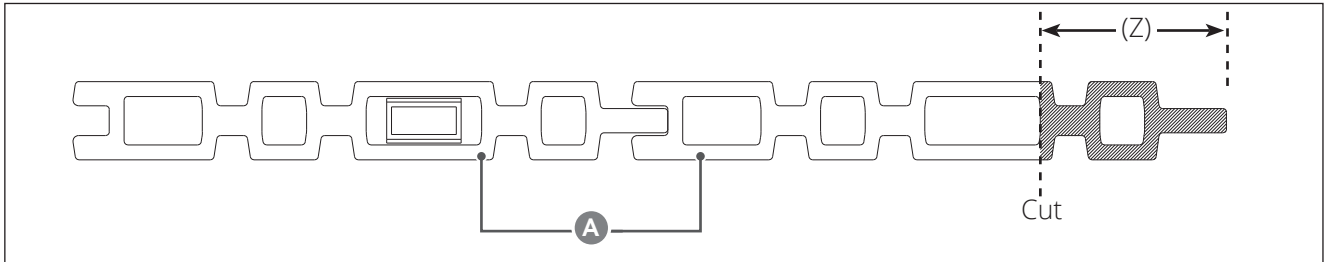


Diagram 7.3.1

2. Slot in the ripped Fence Board **A**. Use a plastic or rubber mallet with a scrap piece of board to hammer in the last Fence Board (Diagram 7.3.2).

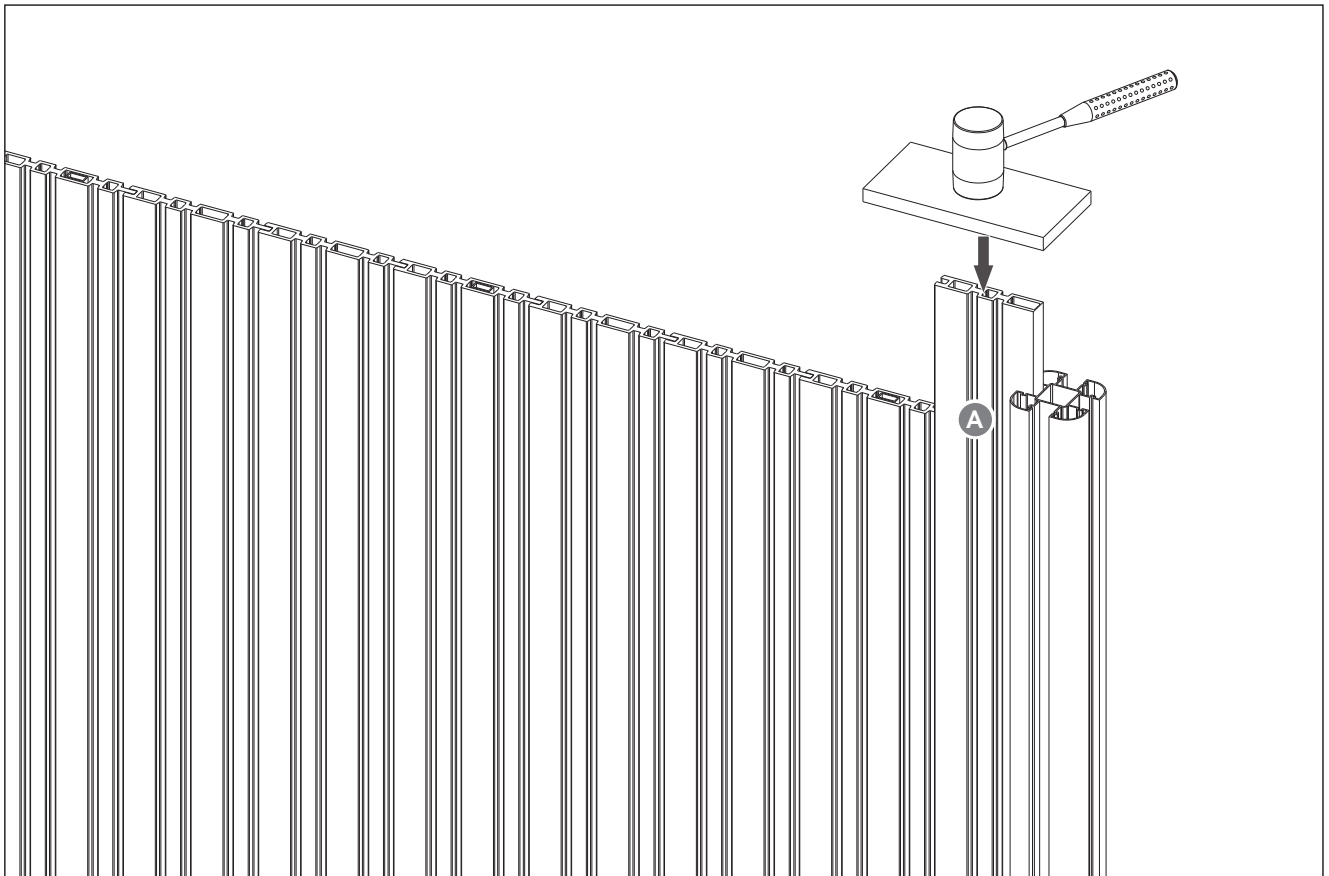


Diagram 7.3.2

Installing the Top Trim, Cut Post Trims, and Fence Post Caps

8.1 Slot the Top Trim **B** into the Posts **I** (Diagram 8.1 and Detail 8.1-1).

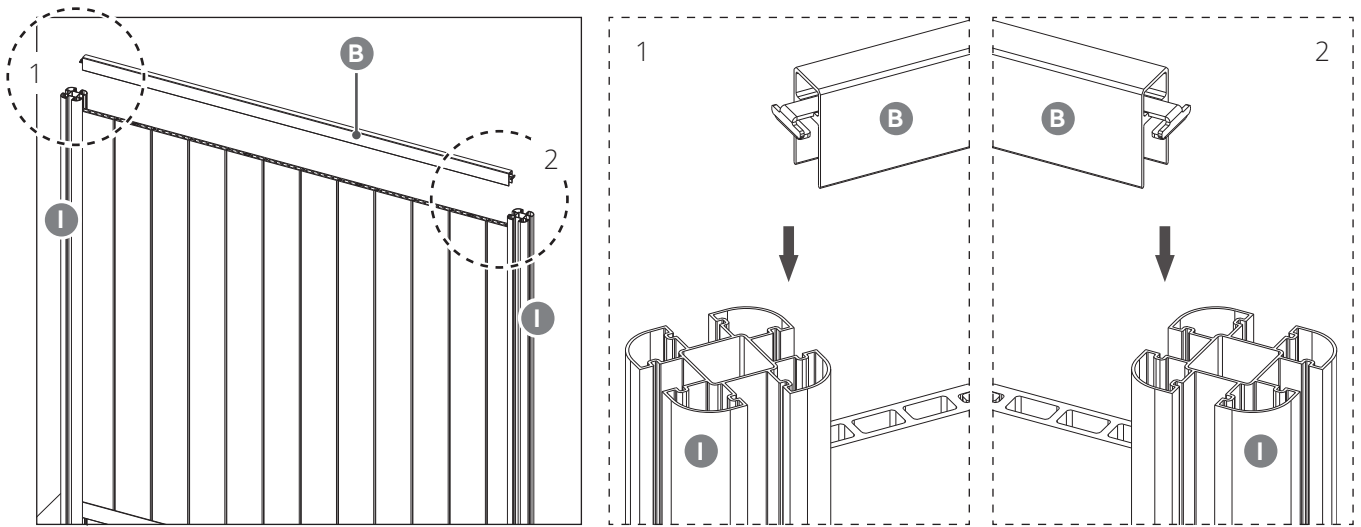


Diagram 8.1

Detail 8.1-1

- 8.2**
1. Measure the distance (Y) between the top of the Top Trim **B** and the top of the Post **I** (Diagram 8.2.1 and Detail 8.2.1-1).
 2. Mark the measurement (Y) on 1 Post Trim **J** (Detail 8.2.1-1).
 3. Cut 2 pieces of the measured size (Y) from 1 Post Trim **J** (Detail 8.2.1-2).

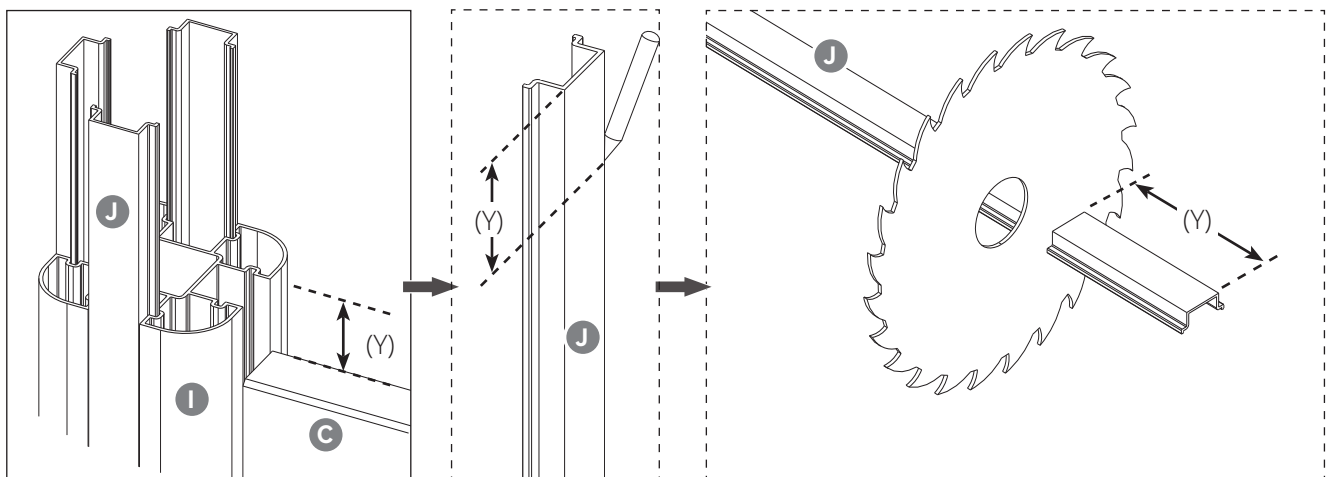


Diagram 8.2.1

Detail 8.2.1-1

Detail 8.2.1-2

4. Slot 1 cut Post Trim **J** into each Post **I** (Diagram 8.2.2 and Detail 8.2.2-1).

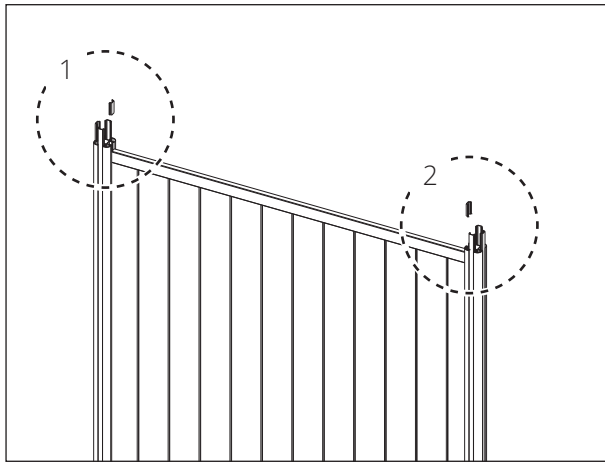
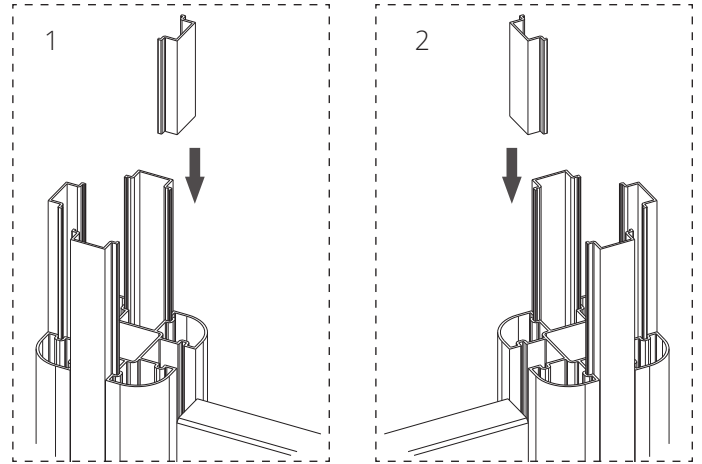


Diagram 8.2.2



Detail 8.2.2-1

8.3 Slot the Post Cap **K** into the top of the Posts **I** (Diagram 8.3).

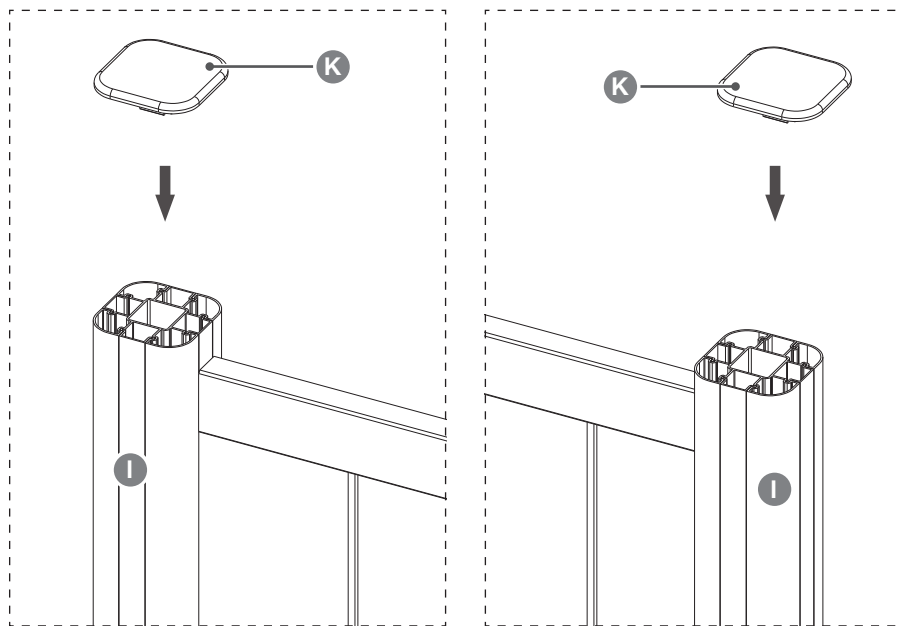
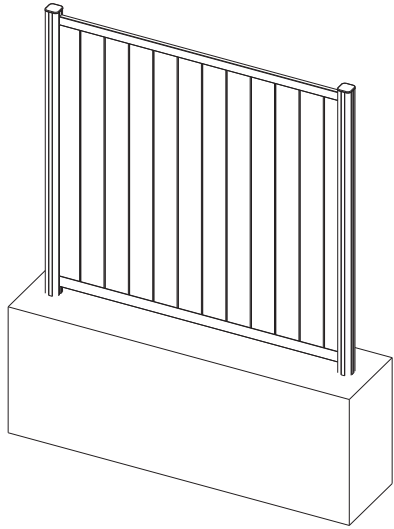
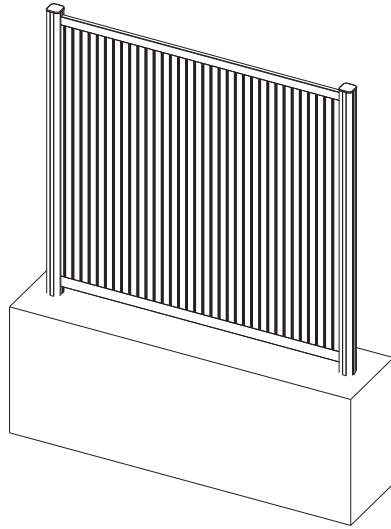


Diagram 8.3

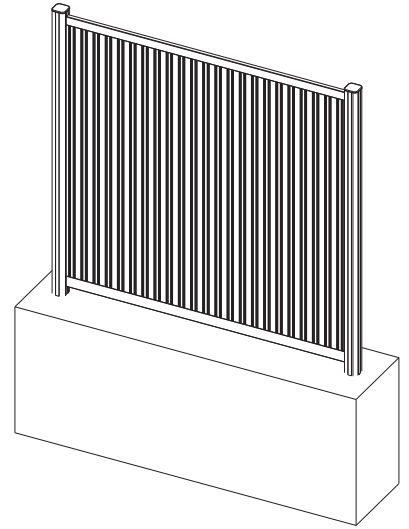
Completed Fencing Installation



Flat Fencing UH24



European Fencing UH66



Hybrid Fencing UH105

Notes



UltraEasy Vertical Fencing In Ground & Surface Mount Installation Guide

04.10.26 US

2026 © NewTechWood Corporation

NewTechWood® is a registered trademark of NewTechWood Corporation.

To obtain a copy of the most current version of this installation guide,
visit us online at www.newtechwood.com.

