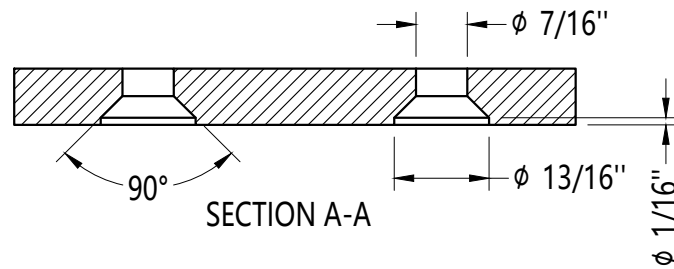
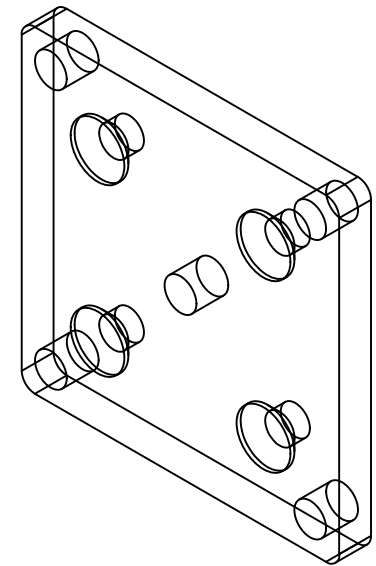


SECTION B-B



SECTION A-A



Design by		Product name	3" Base Plate	
Check by		Drawing NO		
Approve by		Revision	A/0	Sheet 1 of 1
Complete date				