

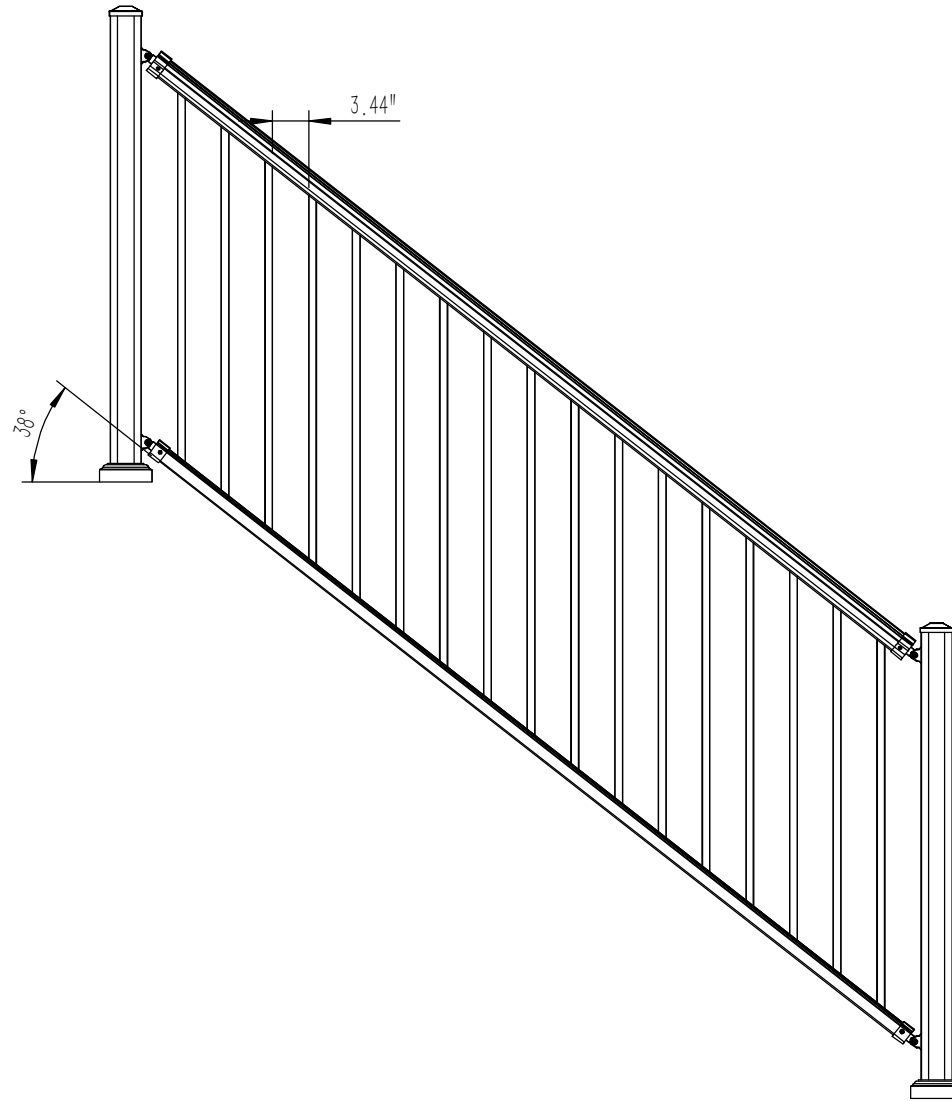
Connection	Fastener
Top Rail Bracket to Post	Two #10x1",Self-drill,304 stainless steel screws
Bottom Rail Bracket to Post	Two #10x1",Self-drill,304 stainless steel screws
Top Rail Bracket to Rail	Two #8x3/4",Self-drill,304 stainless steel screws
Bottom Rail Bracket to Rail	Two #8x3/4",Self-drill,304 stainless steel screws


Parts List		
S.N.	Item	QTY
1	Top Rail 205205	1
2	Bottom Rail 1415	1
3	3/4 " Picket	17
4	3/4 " Picket Clip	18
5	Vinyl Insert	2
6	3.0" Post	2
7	Base Plate	2
8	0.4 x 2 3/4 Bolt(Base Plate To Post)	8
9	3.0" Post Trim	2
10	3.0" Post Cap	2
11	Top Stair Bracket	2
12	Bottom Stair Bracket	2
13	10# 1" Screw(All Brackets To Post)	8
14	8# 3/4" Screw(All Bracket To Rail)	8



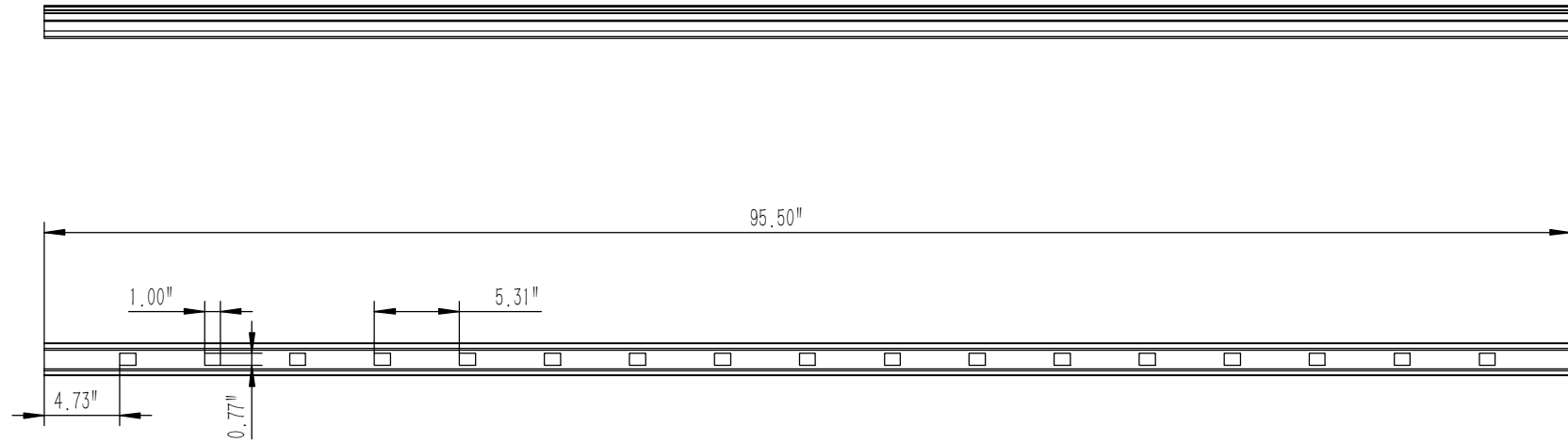
Design by		Product name	AR600 Stair Railing 42"H x 96"W	
Check by		Drawing NO		
Approve by		Revision	A/0	Sheet 1 Of 9
Complete date				


96" Width Stair Railing System W/ Square Balusters



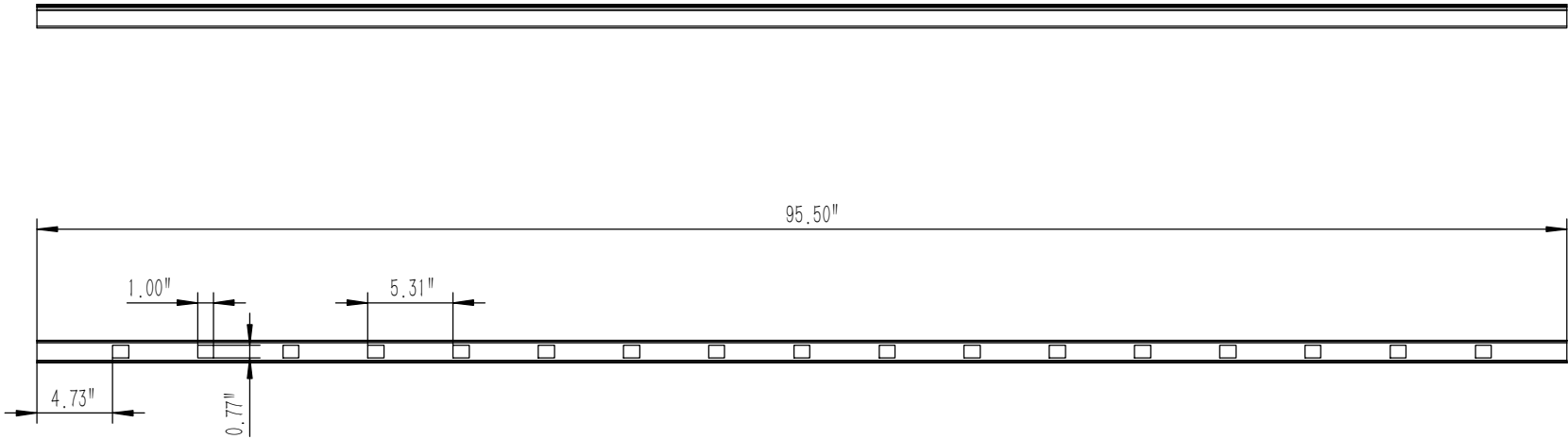
	Design by		Product name	AR600 Stair Railing 42"H x 96"W	
	Check by		Drawing NO		
	Approve by		Revision	A/0	Sheet 2 Of 9
	Complete date				


Top Rail



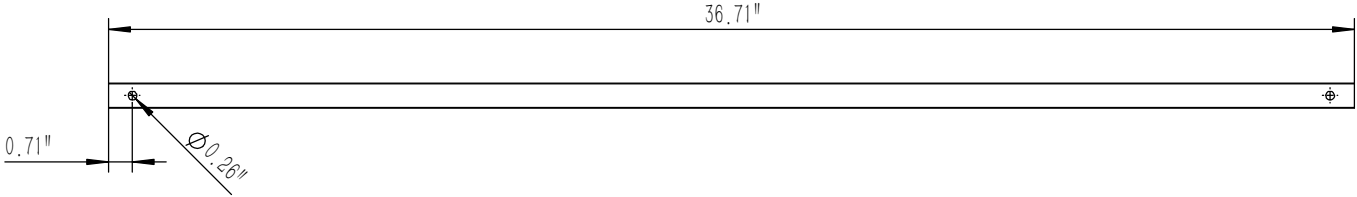
	Design by		Product name	AR600 Stair Railing 42"H x 96"W	
	Check by		Drawing NO		
	Approve by		Revision	A/0	Sheet 3 Of 9
	Complete date				

Bottom Rail



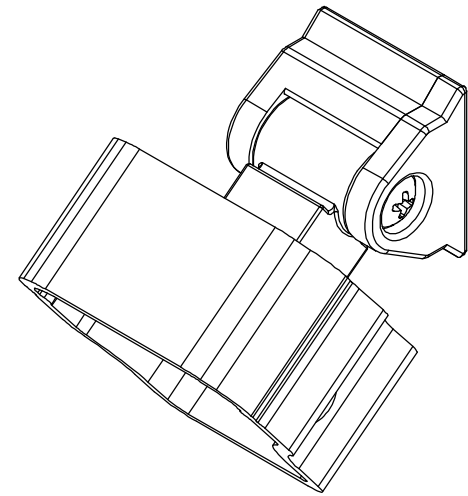
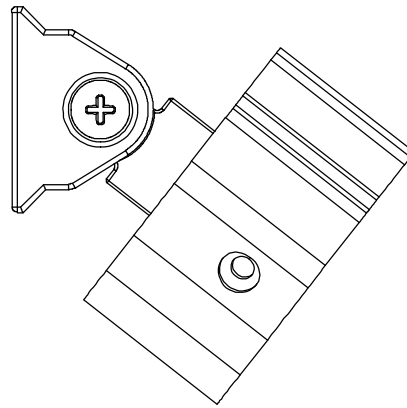
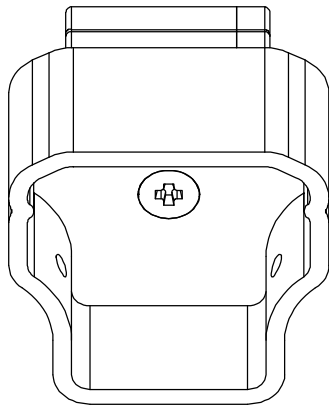
	Design by		Product name	AR600 Stair Railing 42"H x 96"W	
	Check by		Drawing NO		
	Approve by		Revision	A/0	Sheet 4 Of 9
	Complete date				

3/4" Picket



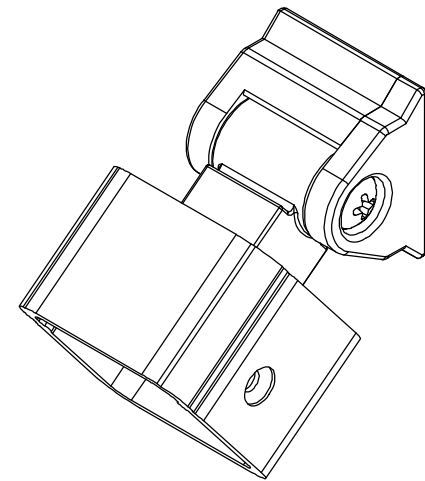
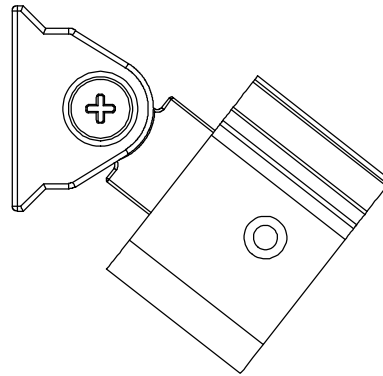
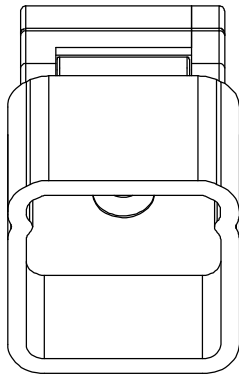
Design by		Product name	AR600 Stair Railing 42"H x 96"W	
Check by		Drawing NO		
Approve by		Revision	A/0	Sheet 5 Of 9
Complete date				

Top Rail Bracket



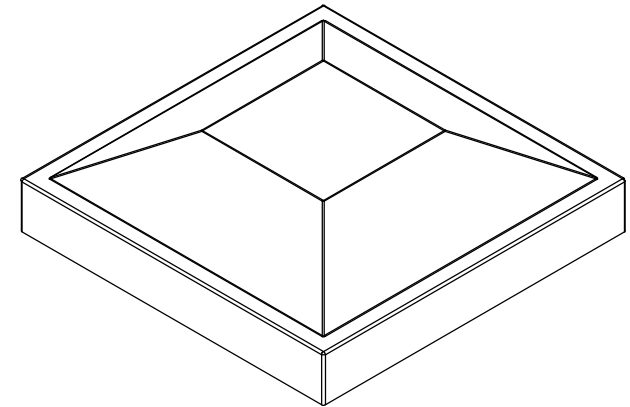
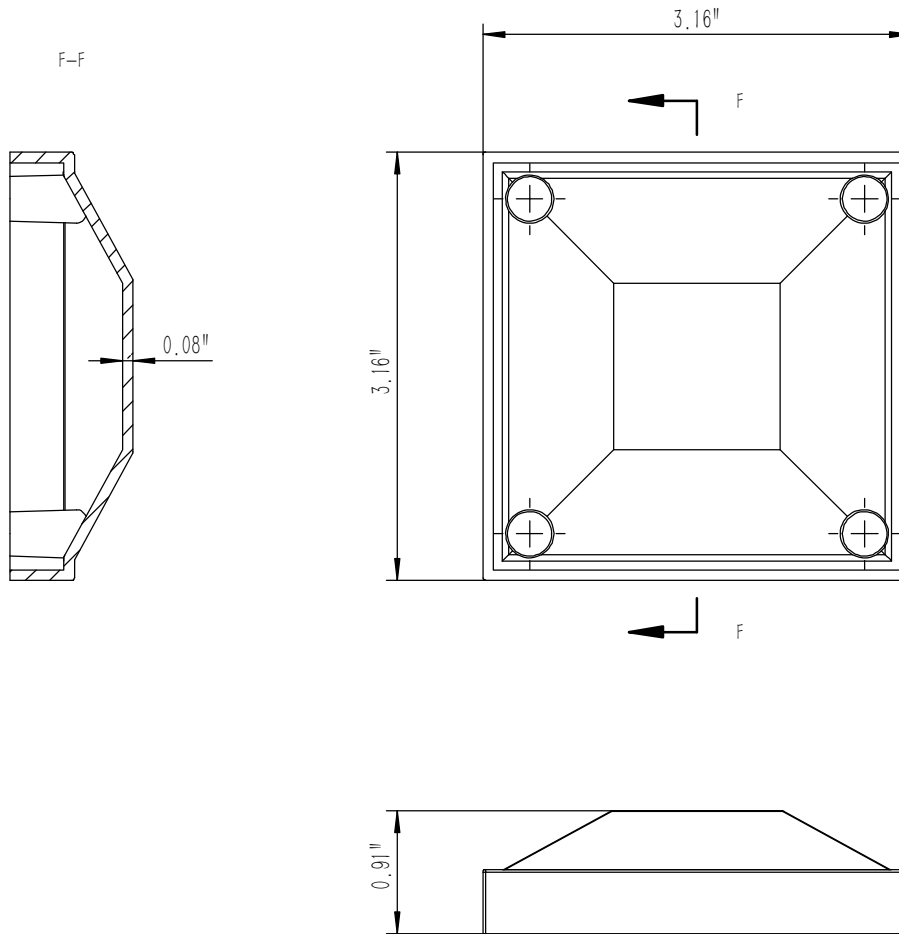
Design by		Product name	AR600 Stair Railing 42"H x 96"W	
Check by		Drawing NO		
Approve by		Revision	A/0	Sheet 6 Of 9
Complete date				


Bottom Rail Bracket



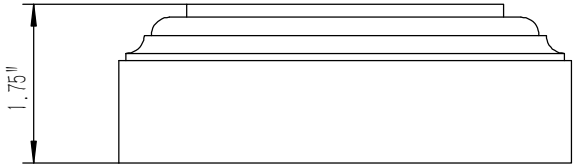
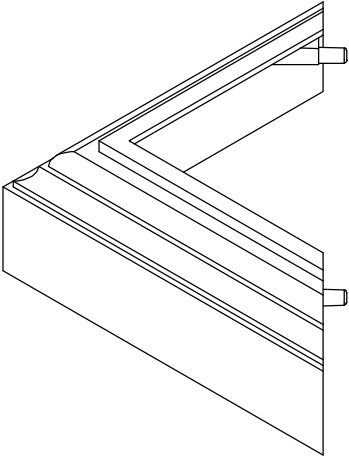
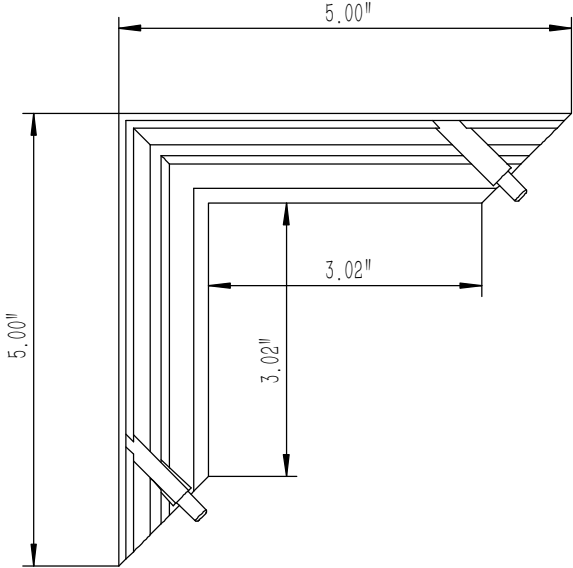
Design by		Product name	AR600 Stair Railing 42"H x 96"W	
Check by		Drawing NO		
Approve by		Revision	A/0	Sheet 7 Of 9
Complete date				

3" Post Cap



	Design by		Product name	AR600 Stair Railing 42"H x 96"W	
	Check by		Drawing NO		
	Approve by		Revision	A/0	Sheet 8 Of 9
	Complete date				

3" Post Trim



Design by		Product name	AR600 Stair Railing 42"H x 96"W	
Check by		Drawing NO		
Approve by		Revision	A/0	Sheet 9 Of 9
Complete date				