



NewTechWood



# Composite Universal Fence Gate Installation Guide

04.08.26 US



# Content

Important Note	3
Exploded View & Parts List	4-6
Preparation	7
Part 1: Gate Post Installation	
• Measuring and Positioning	7
• Setting the Gate Posts	8-12
Part 2: Fence Gate Installation	
• Gate Hinge Installation	13-14
• Strike Plate Installation	15
• Gate Lock Installation	16-18
• Post Cap & Post Trim Installation	18
• The Finished Fence Gates	19

## Important Note

### Read All Sections Before You Start

For the latest information, please visit our website @ [www.newtechwood.com](http://www.newtechwood.com)

Prior to installing any composite product, it is recommended that you check with local building codes for any special requirement or restrictions. The diagrams and instructions outlined in this guide are for illustration purpose only and are not meant or implied to replace a licensed professional. Any construction or use of NewTechWood products must be in accordance with all local zoning and/or building codes. The consumer assumes all risks and liability associated with the construction and use of this product.

### Safety

When dealing with any type of construction project, it is necessary to wear appropriate safety equipment to avoid any injuries. NewTechWood recommends the following safety equipment when handling, cutting, and installing NewTechWood products: gloves, respiratory protection, long sleeves, pants, shoes and safety glasses.

### Tools

Please select the appropriate tools for installation.

### Environment

A clean, smooth, flat, and strong surface is needed for the proper installation of NewTechWood products. Always check with local building codes before installing any type of product. If installation does not occur immediately, NewTechWood products need to be put on a flat surface at all times.

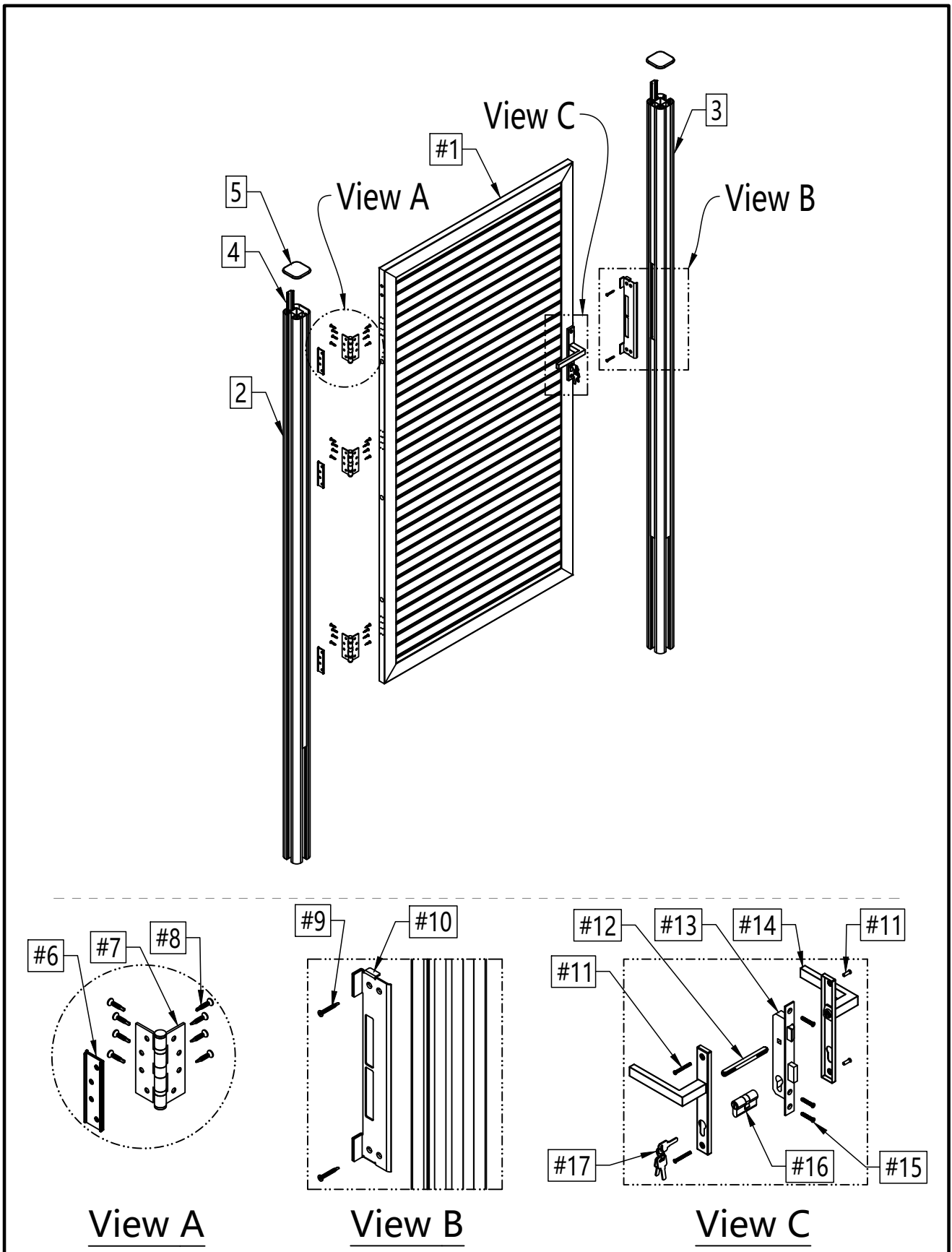
### Planning

Plan a layout for your fence gate before starting to ensure the best possible fence gate for your project. We recommend drawing out a site plan of the proposed project to minimize errors and make the perfect fence gate.

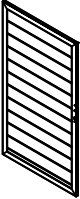
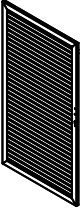

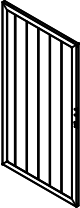
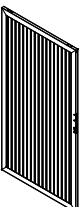
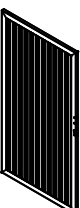
### Assembly

Before installation, check the parts in the box against the parts list on page 5 and 6. If any are missing, contact the dealer from whom you purchased this product to obtain the missing parts.

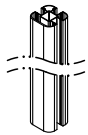
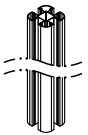
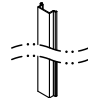





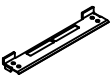





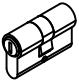

# Exploded View



# Parts List-Gate

<u>No.</u>		<u>Qty</u>	<u>Description</u>	<u>Model No.</u>
#1		1	Horizontal Flat Fence Gate	FG11-UH2402
#1		1	Horizontal European Fence Gate	FG11-UH6602
#1		1	Horizontal Hybrid Fence Gate	FG11-UH10502
#1		1	Vertical Flat Fence Gate	FG11-UH2403
#1		1	Vertical European Fence Gate	FG11-UH6603
#1		1	Vertical Hybrid Fence Gate	FG11-UH10503

# Parts List-Post & Hardware

<u>No.</u>		<u>Qty</u>	<u>Description</u>	<u>Model No.</u>
#2		1	Gate Post	PA252-2400
#3		1	Fence Post	FN0213R-2400
#4		8	Post Trim	FN0214-1900
#5		2	Post Cap	FN0224S
#6		3	Hinge Shim plate	BKS-HG02-01
#7		3	Gate Hinge	HG02
#8		24	Phillips Recessed Flat Head Self-Drilling Screw	WJ0281H
#9		2	Phillips Recessed Flat Head Self-Drilling Screw	WJ0130
#10		1	Strike Plate	BKS-FG11-02
#11		2	Binding Screw	DL02#2
#12		1	Handle Spindle Shaft	DL02#3
#13		1	Lock Case	DL02#4
#14		1	Handle	DL02#1
#15		3	Phillips Recessed Flat Head Machine Screw	DL02#6
#16		1	Key Cylinder	DL02#5
#17		1	Key	DL02#7

# Fence Gate Installation Guide

## Preparation

- 1 Determine the Fence Gate (1#) opening orientation, then install the Gate Posts correspondingly, as shown in Figure 1.1 and Figure 1.2.

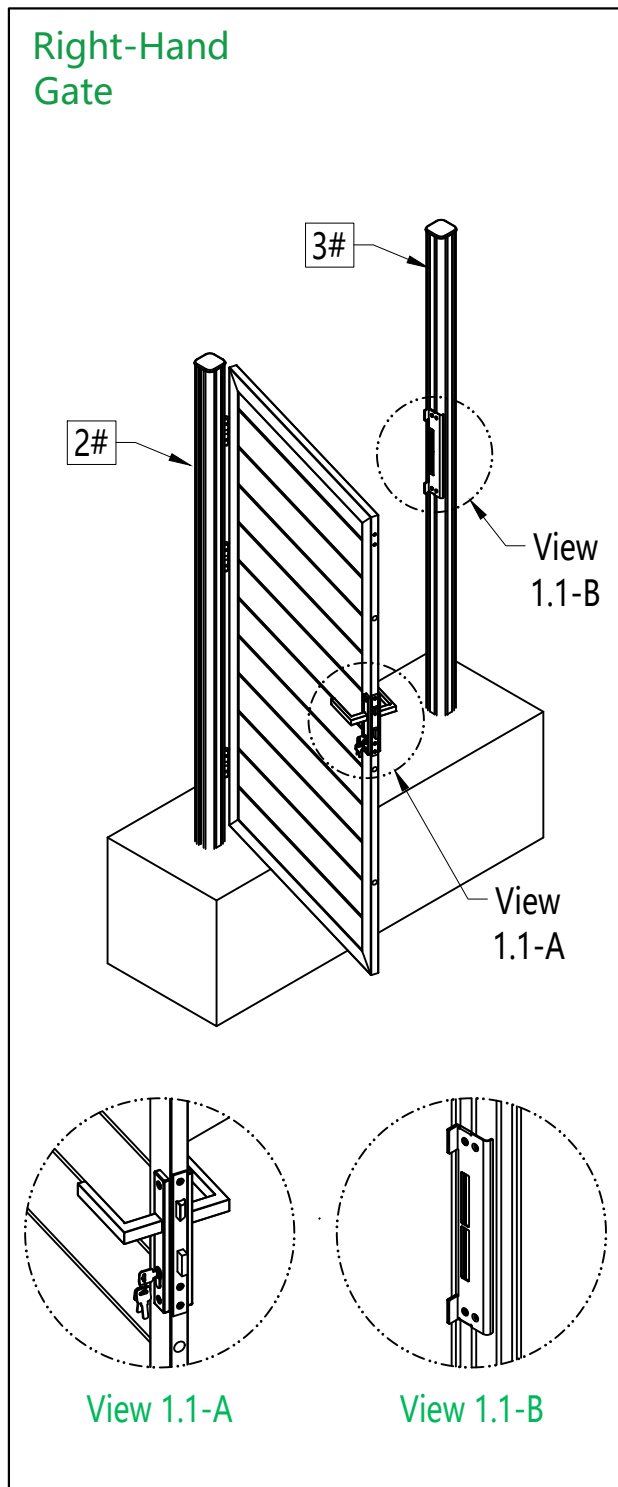


Figure 1.1

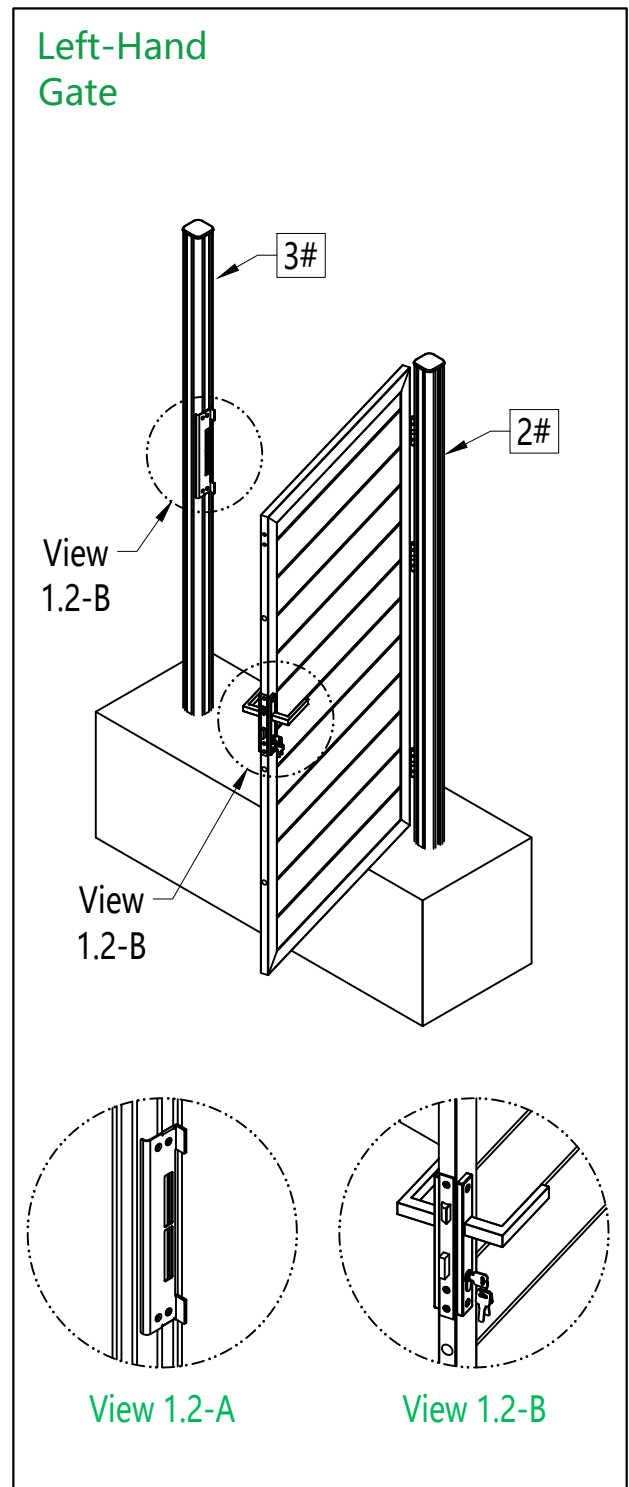


Figure 1.2

## Part 1: Gate Post Installation

- 1 Measure and position the gate post on the ground. Draw a positioning mark for the fixed center positions, as shown in *Diagram 1*.

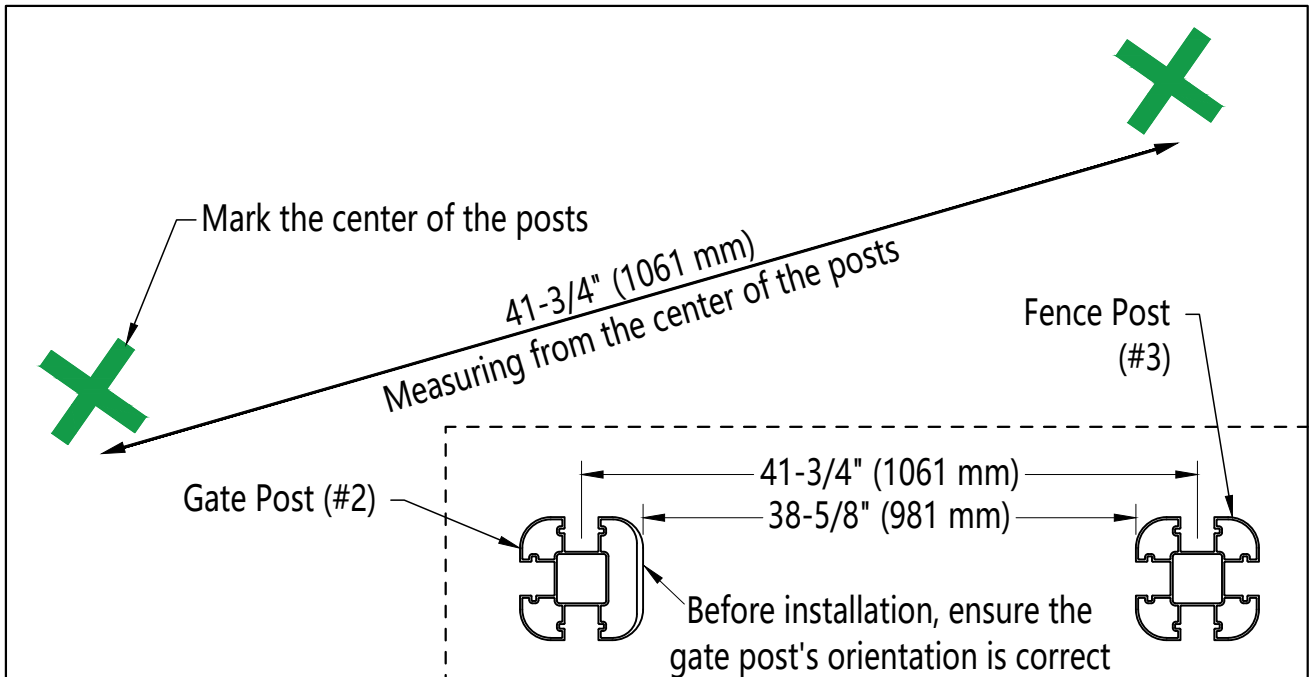


Diagram 1

- 2 Dig a  $25\text{-}9/16"$  (650 mm) deep hole, approximately one-third the height of the gate post, at the positioning mark. The diameter of the hole should be  $\phi 9\text{-}7/16"$  ( $\phi 240$  mm), three times the width of the posts.

Please Note:

In colder climates regions, digging will need to pass the frost line. Check online for the frost line in your area or contact your local building authority for advice.

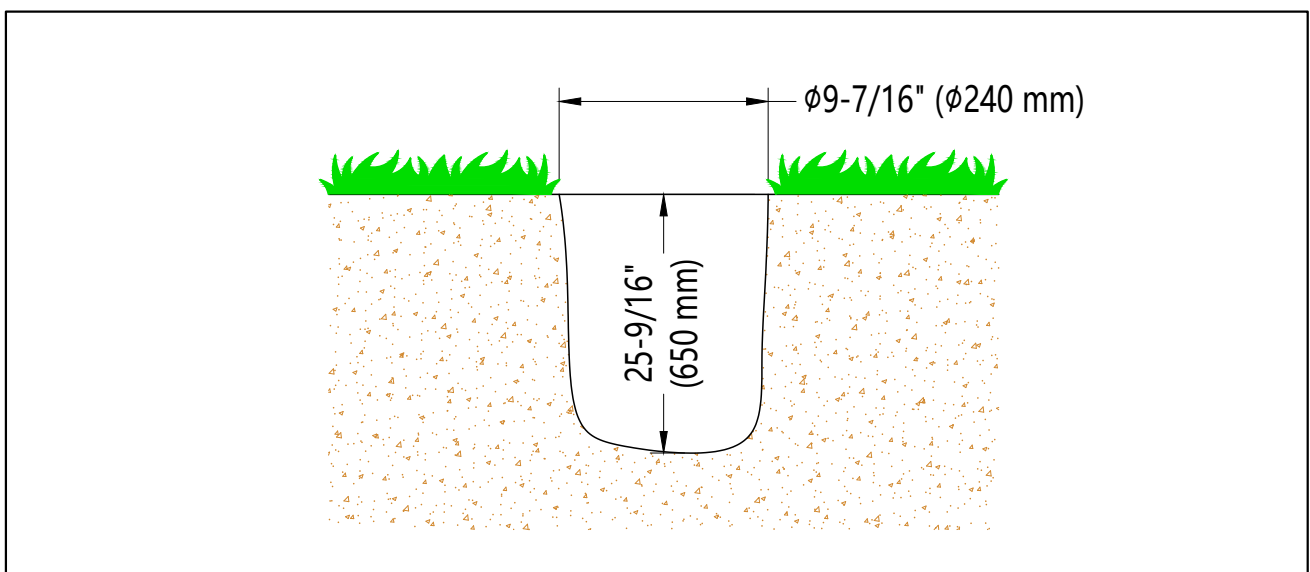


Diagram 2

- 3 Lay 5-7/8" (150 mm) of gravel at the bottom of the hole to allow for proper water drainage, as shown in Diagram 3.

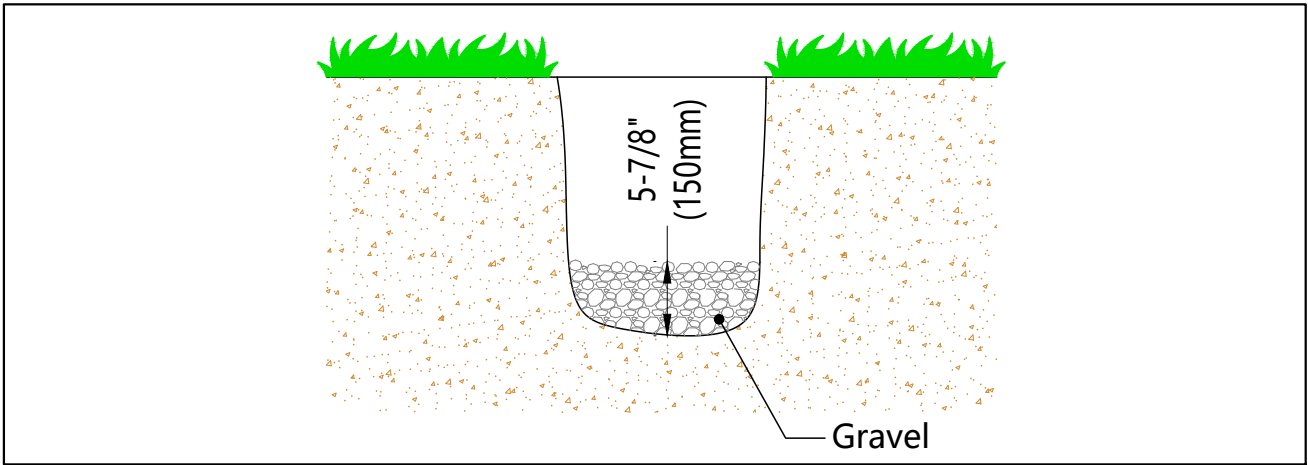


Diagram 3

- 4 Place the Gate Post (#2) in the middle of the gravel and ensure they are plumb. The distance from the post top and the ground should be 74-13/16" (1900 mm), as shown in Diagram 4.

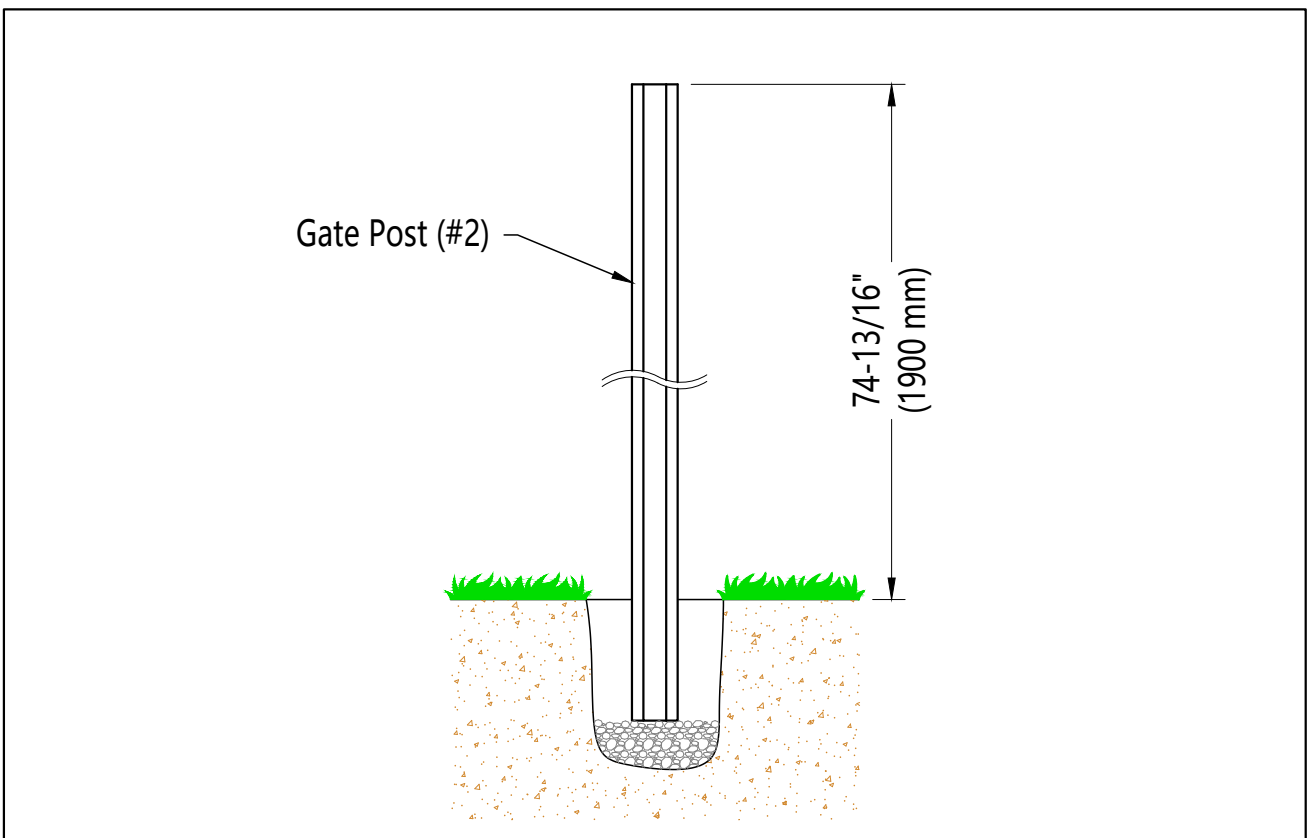
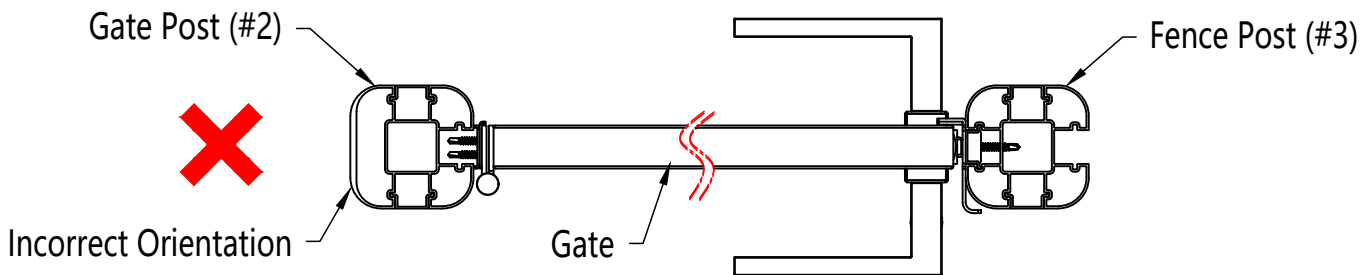
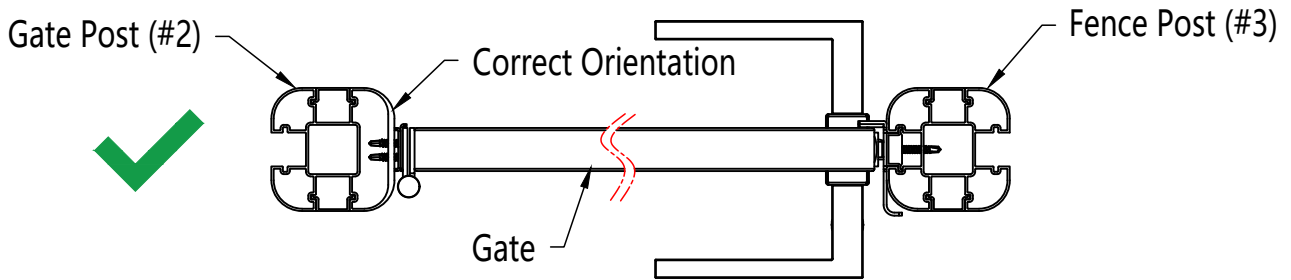


Diagram 4

#### 4 Continued

Please Note:

Ensure the Gate Post (#2) orientation is correct, as shown in the Diagram below.



#### 5 Pour concrete into the hole until it reaches 2" (50 mm) below ground, as shown in Diagram 5.1

Note: Be sure to pour concrete evenly around the posts.

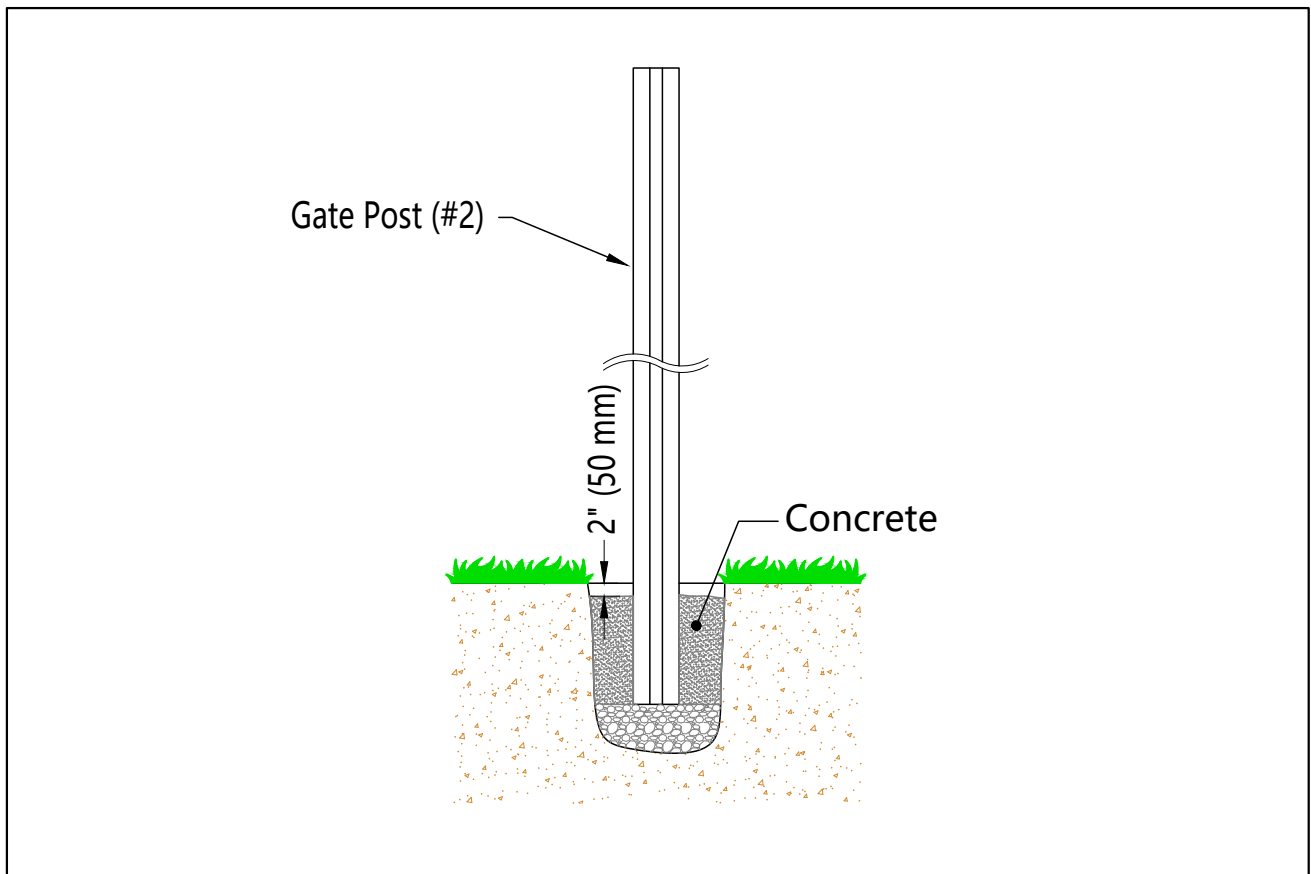


Diagram 5.1

5 Continued

Please note it is necessary to ensure the Gate Post (#2) and the Fence Post (#3) are plumb before the concrete sets, as shown in Diagram 5.2 and 5.3.

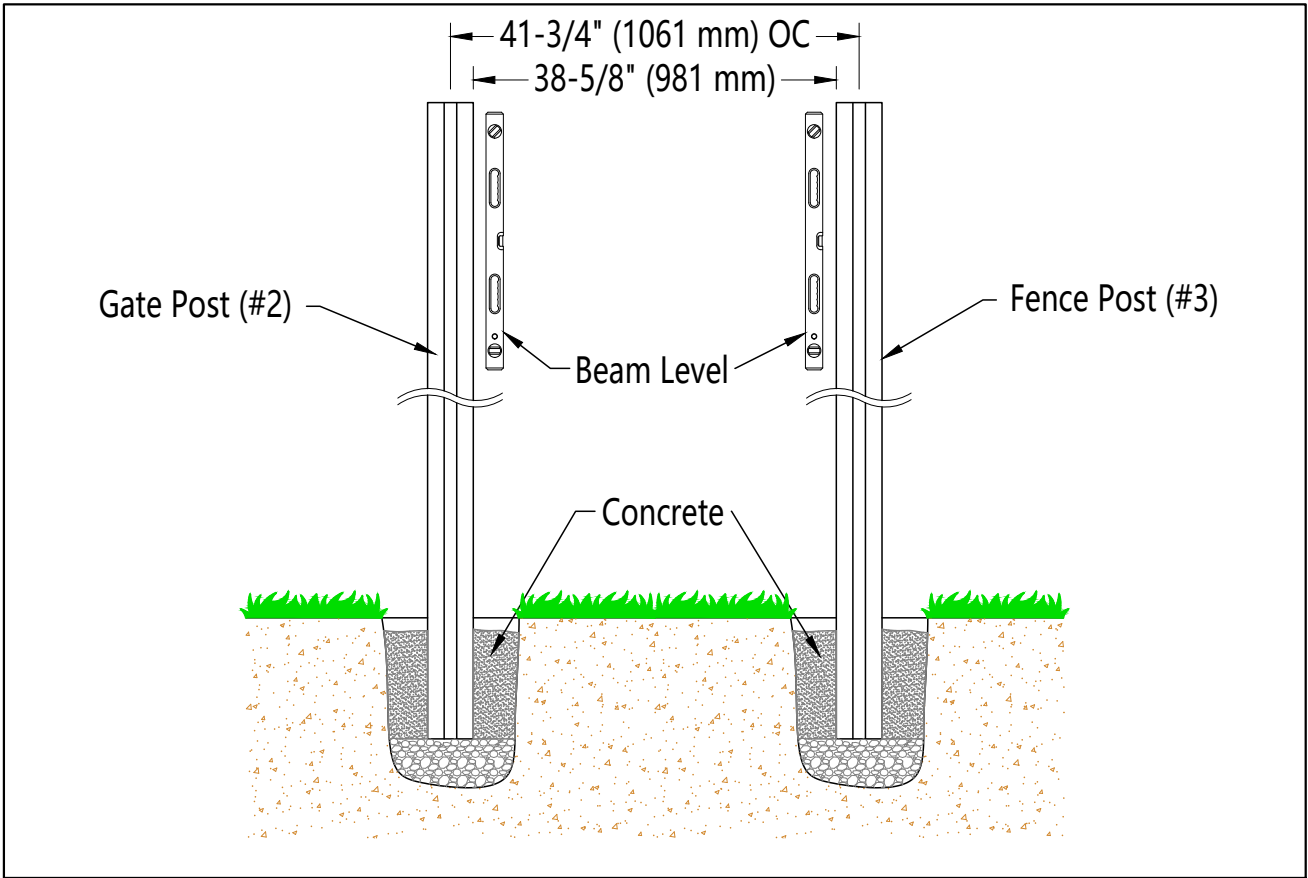


Diagram 5.2

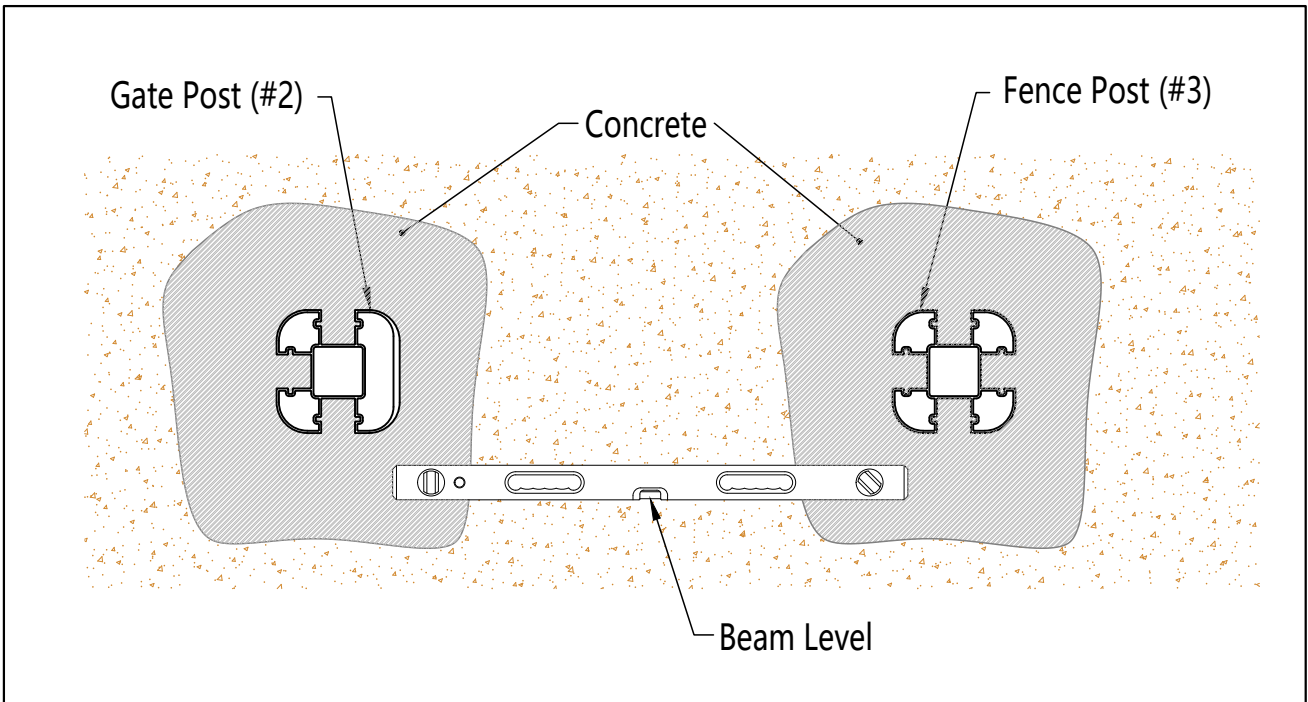


Diagram 5.3

- 6 After the concrete has set and hardened, fill the top with dirt as shown in *Diagram 6*.

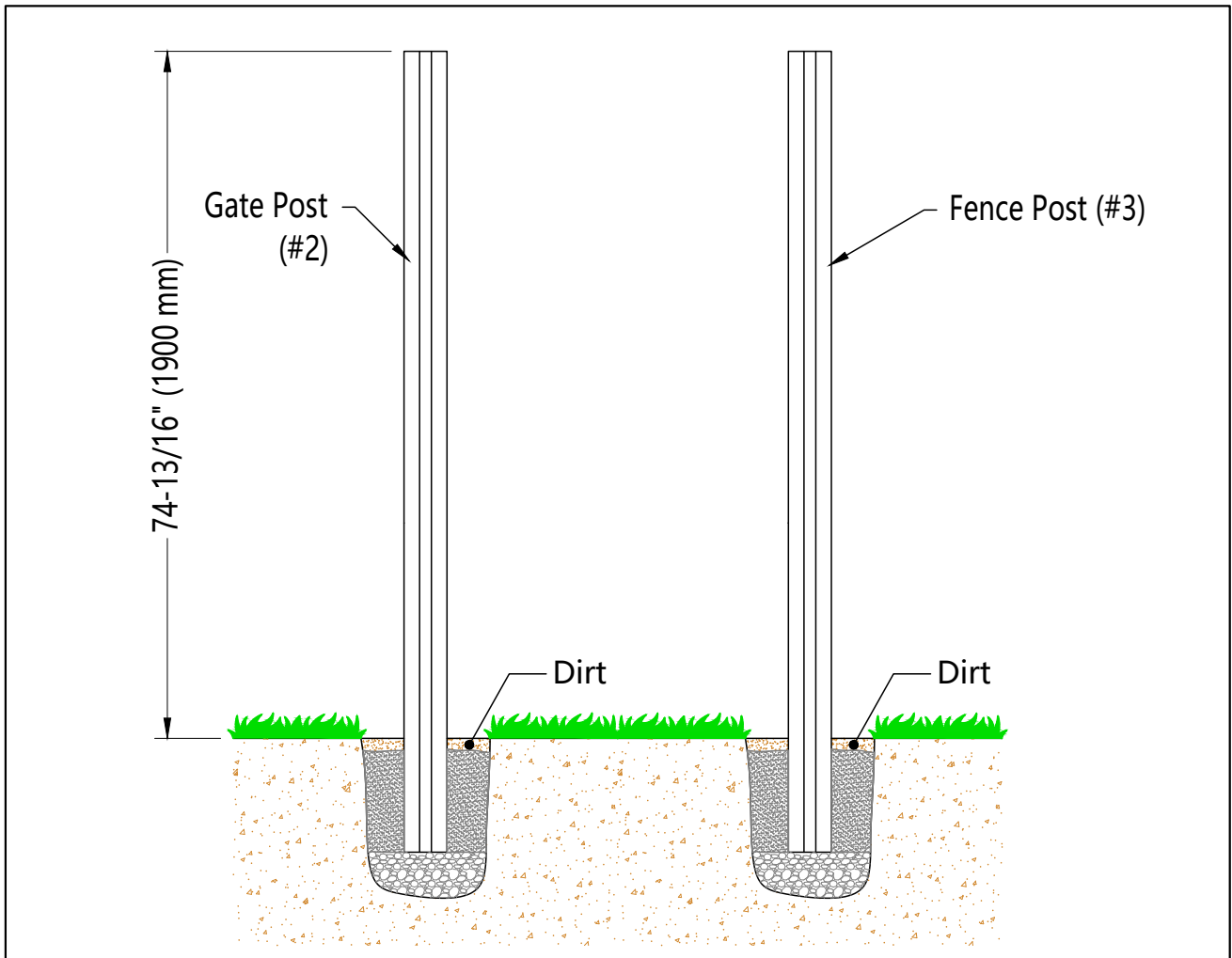
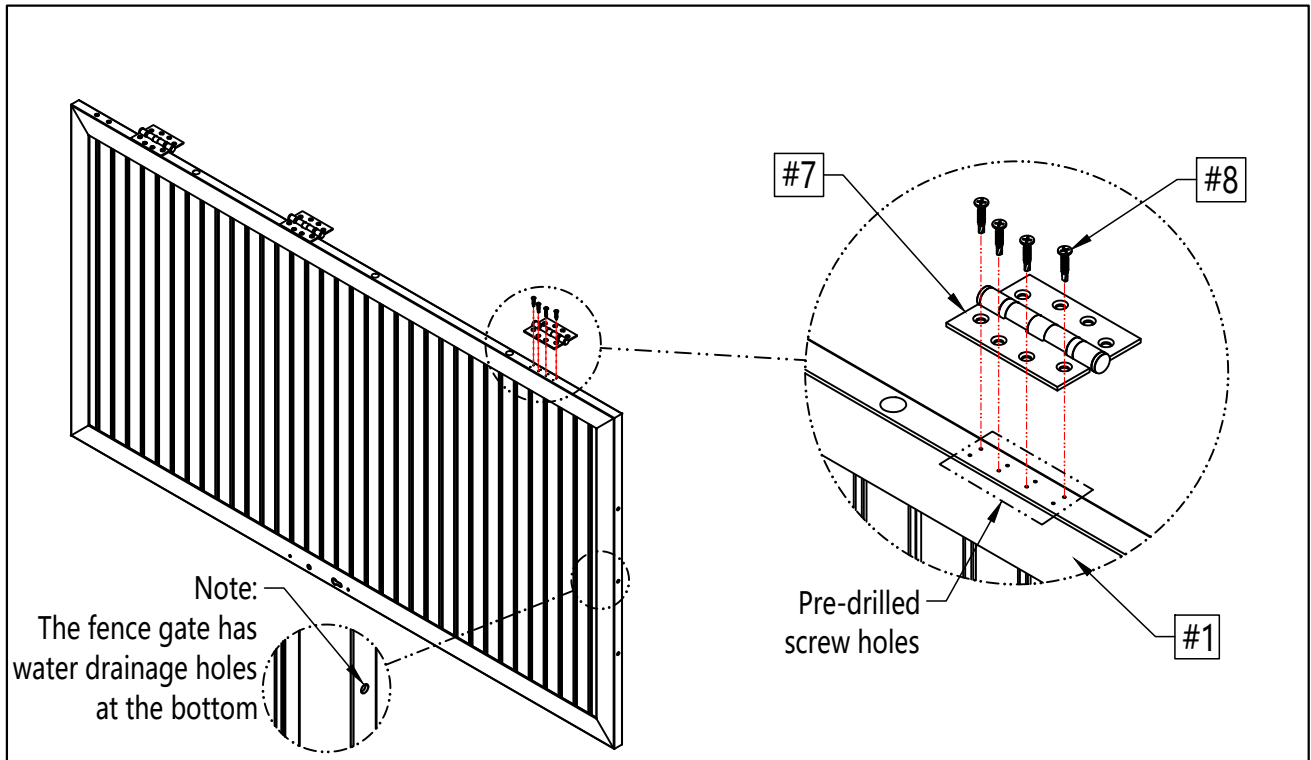


Diagram 6

## Part 2: Fence Gate Installation

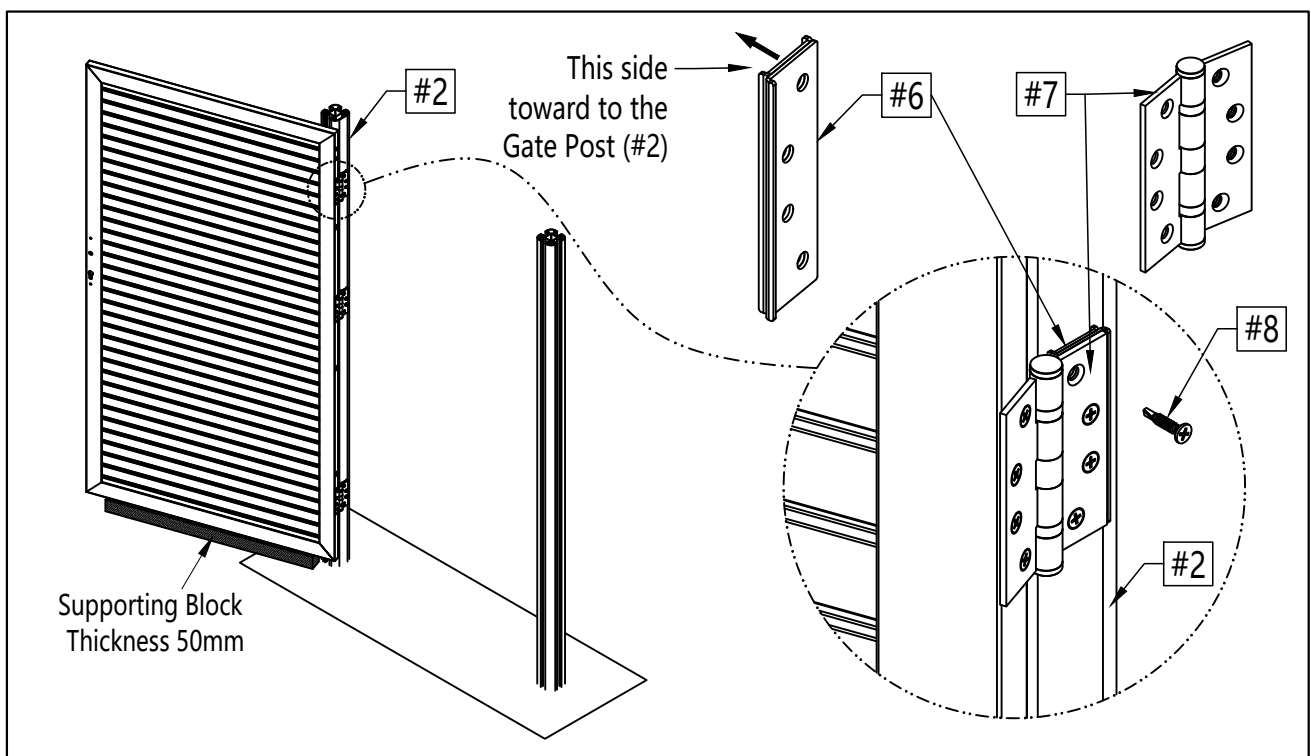
### Option 1: Right-hand Gate's Hinge Installation

- 7A** Secure the Hinges (#7) with Screws (#8) on the gate frame against the desired pre-drilled screw holes, as shown in *Diagram 7A*.



*Diagram 7A*

- 8A** Put a supporting block underneath the gate's bottom. Put the Hinge Shim Plate (#6) between the Hinge (#7) and the Gate Post (#2) in place. Fix the Fence Gate (#1) on the Gate Post (#2) with Screw (#8), as shown in *Diagram 8A*.



*Diagram 8A*

## Option 2: Left-hand Gate's Hinge Installation

- 7B** Secure the Hinges (#7) with Screws (#8) on the gate frame against the desired pre-drilled screw holes, as shown in *Diagram 7B*.

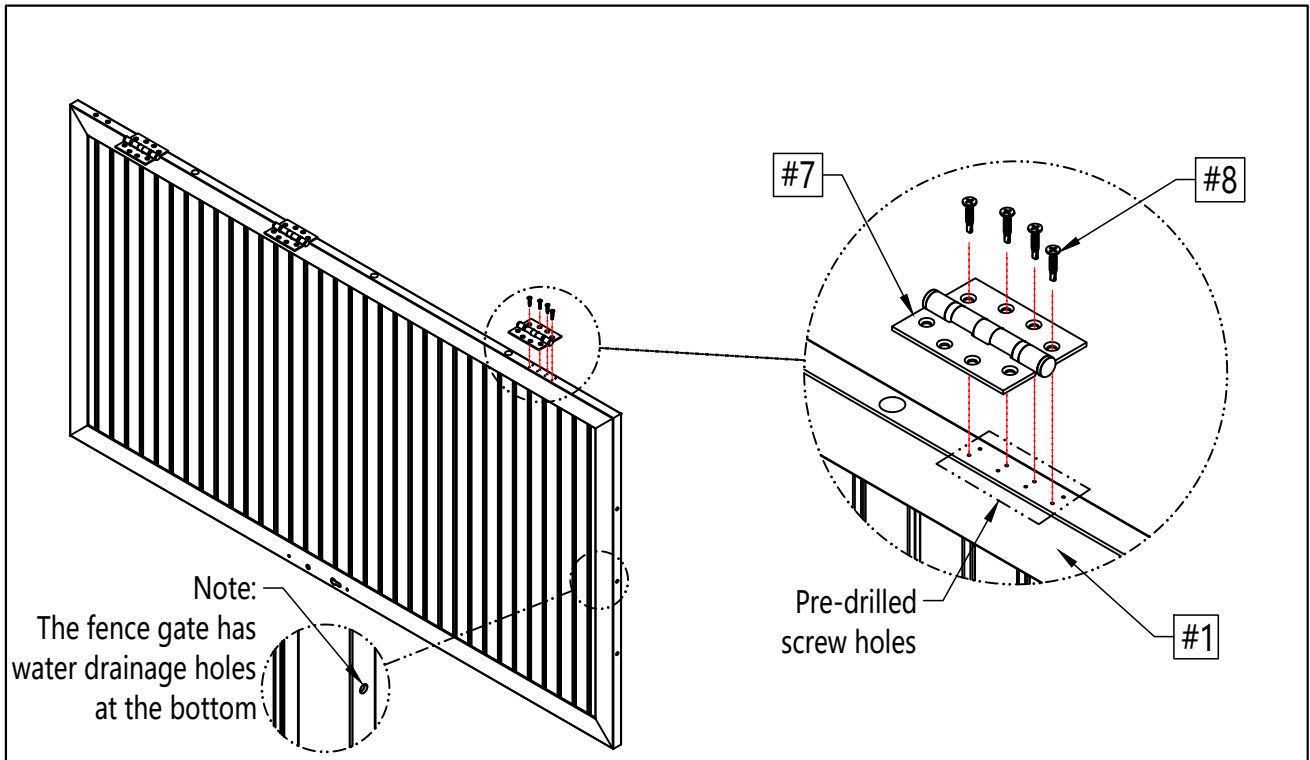


Diagram 7B

- 8B** Put a supporting block underneath the gate's bottom. Put the Hinge Shim Plate (#6) between the Hinge (#7) and the Gate Post (#2) in place. Fix the Fence Gate (#1) on the Gate Post (#2) with Screw (#8), as shown in *Diagram 8B*.

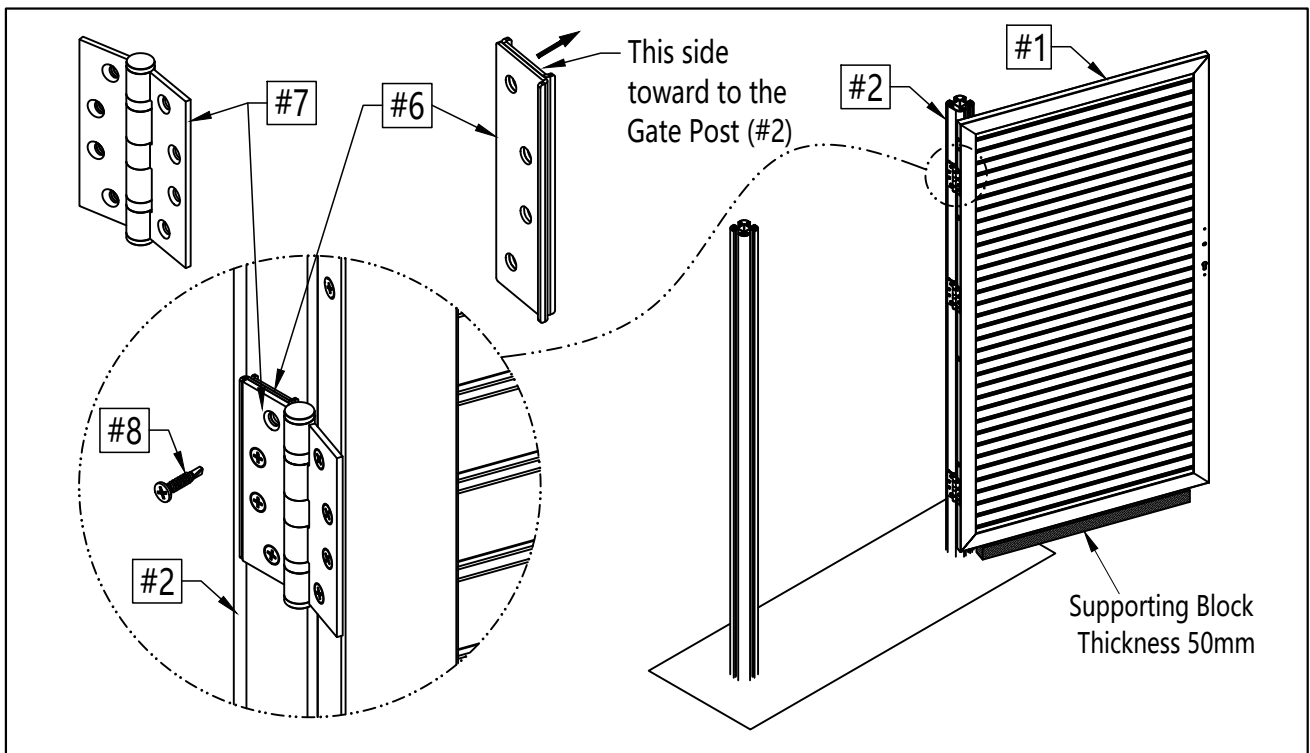


Diagram 8B

- 9 Put the Strike Plate (#10) onto the Gate Post (#2) in place and fix it with Screws (#9), as shown in Diagram 9A (Right-hand Gate) and Diagram 9B (Left-hand Gate)

### Right-hand Gate's Strike Plate Installation

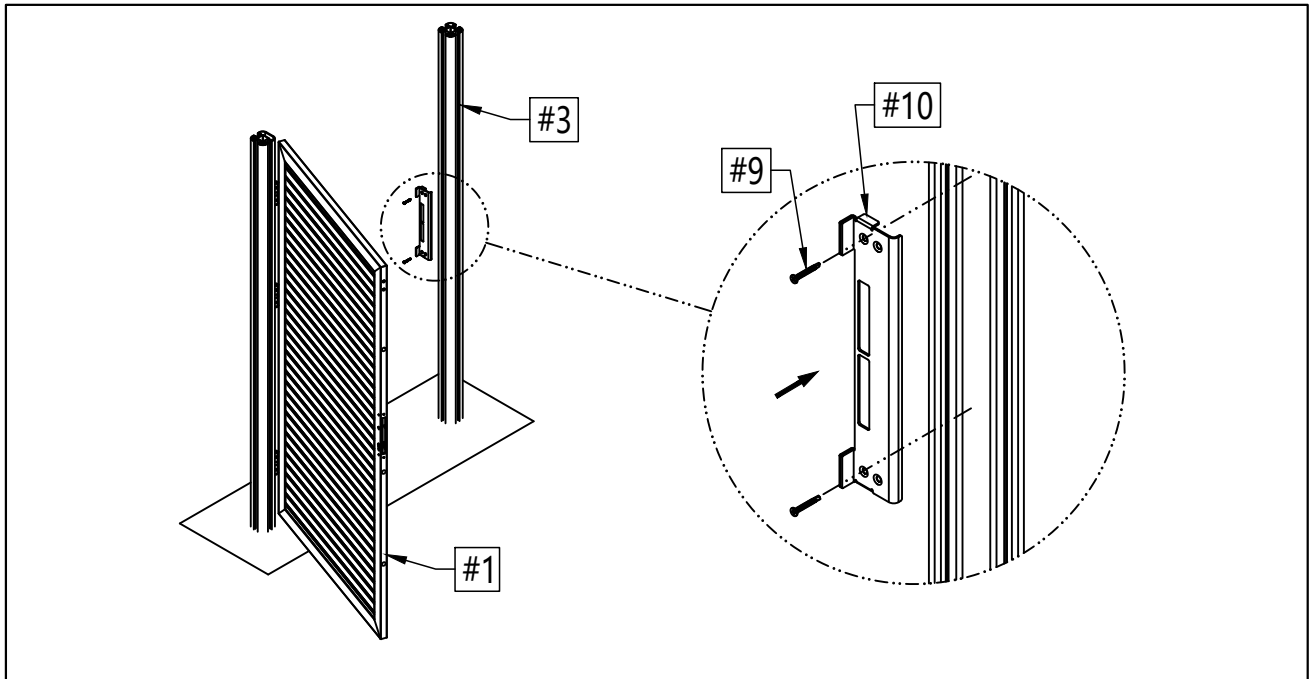


Diagram 9A

### Left-hand Gate's Strike Plate Installation

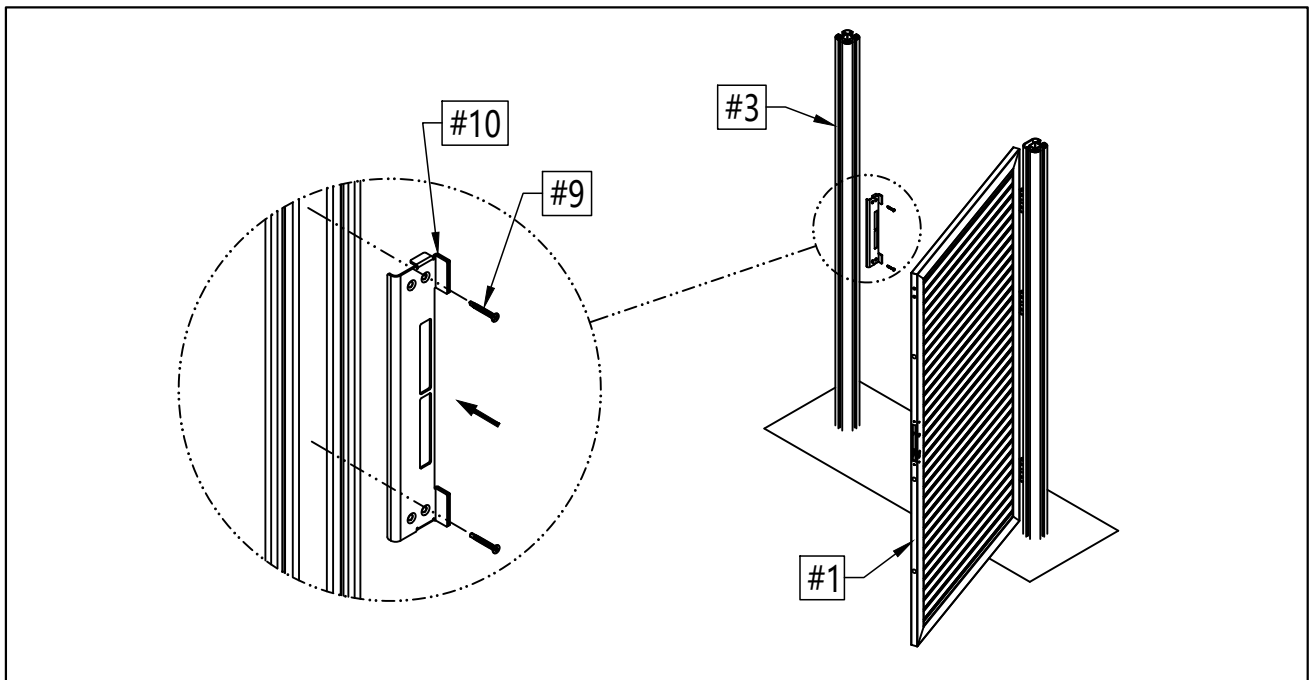


Diagram 9B

**10** Check the gate lock's latch orientation to see if it is correct, as shown in *Diagram 10 A.*

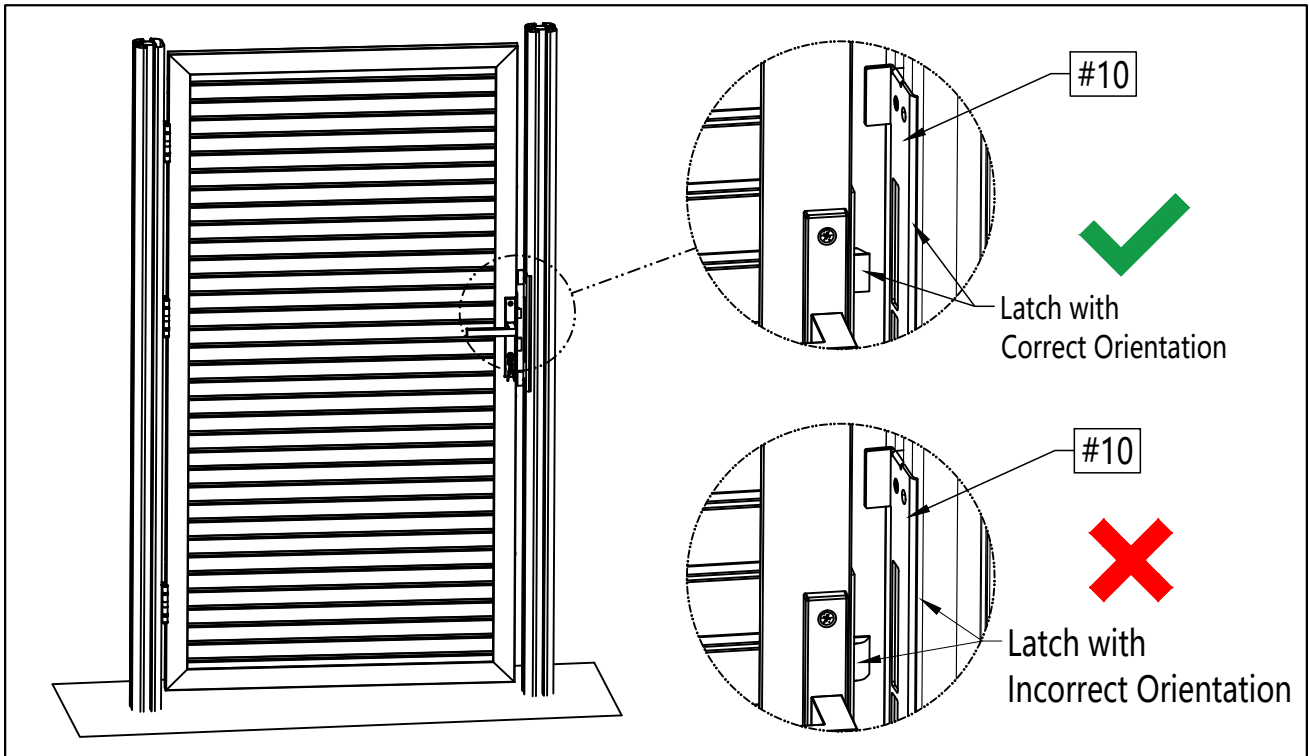


Diagram 10A

Adjust the orientation for the gate lock latch following the steps shown in *Diagram 10 B.*

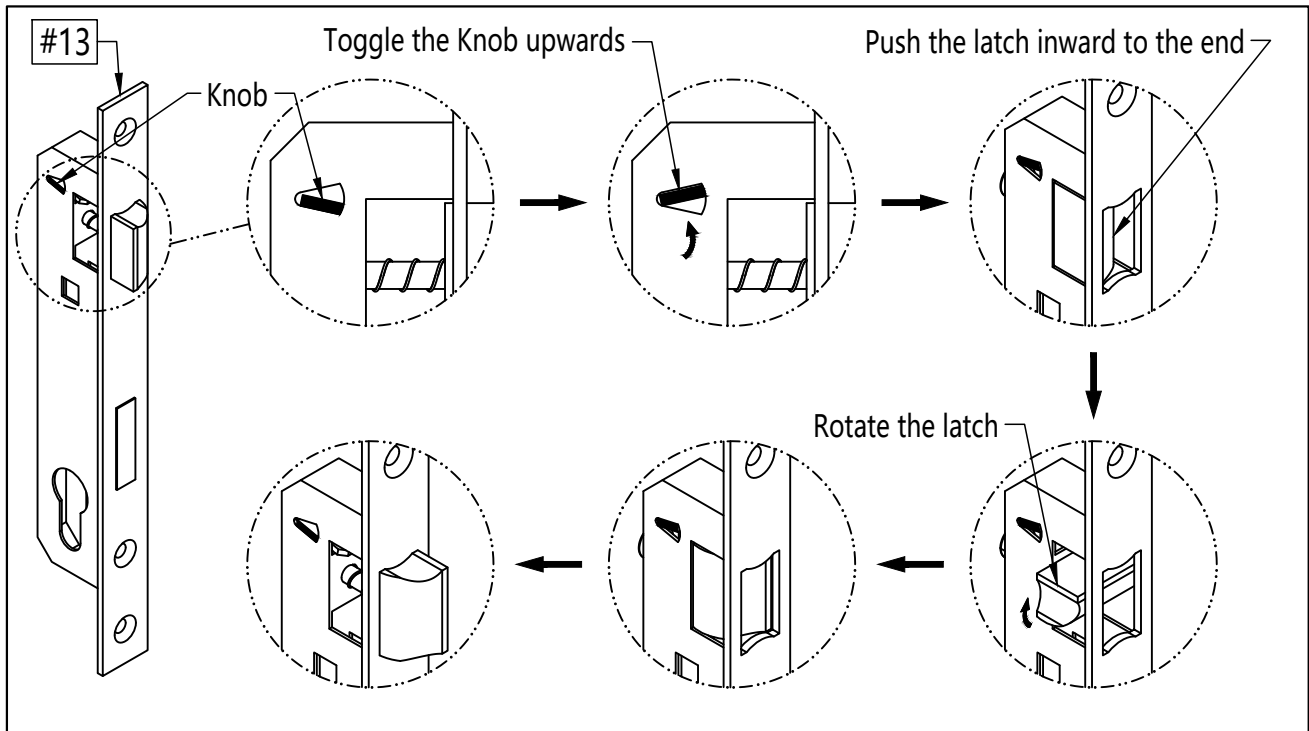


Diagram 10B

- 11** Install the Lock Case (#13) onto the Fence Gate (1#) with Screw (#15), as shown in Diagram 11.

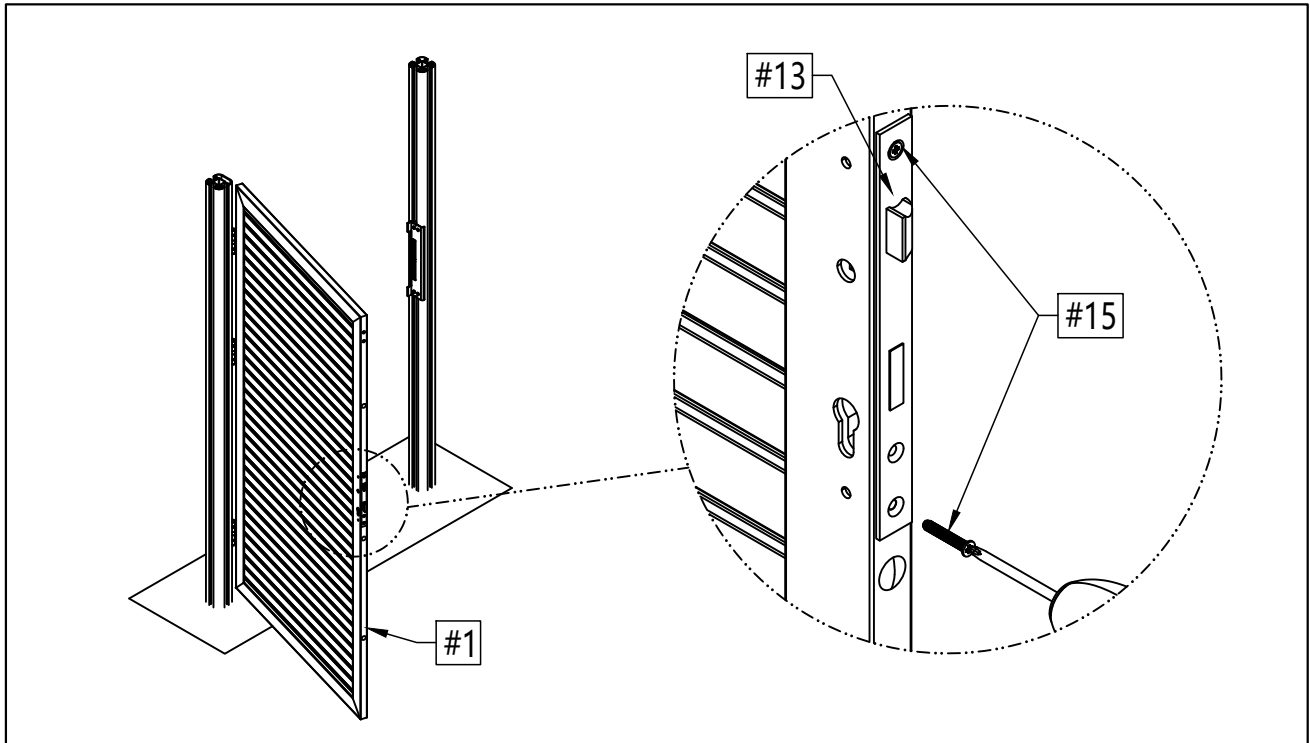


Diagram 11

- 12** Insert the Handle Spindle Shaft (#12) and Key Cylinder (#16) into the Fence Gate (1#) in place. Fix the Key Cylinder (#16) with Screw (#15), as shown in Diagram 12.

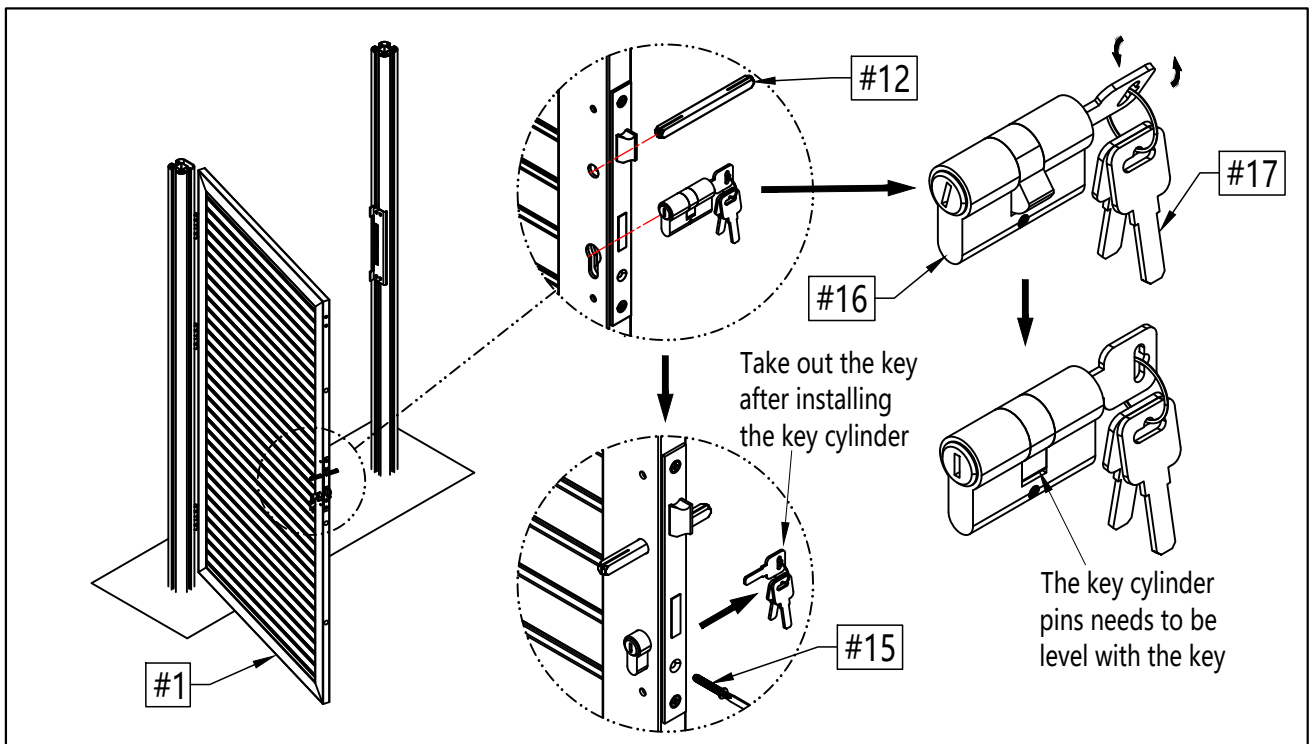


Diagram 12

- 13 Attach the Handle (#14) against the Handle Spindle Shaft (#12) and the Key Cylinder (#16) in place and fix it with the Binding Screw (#11), as shown in *Diagram 13*.

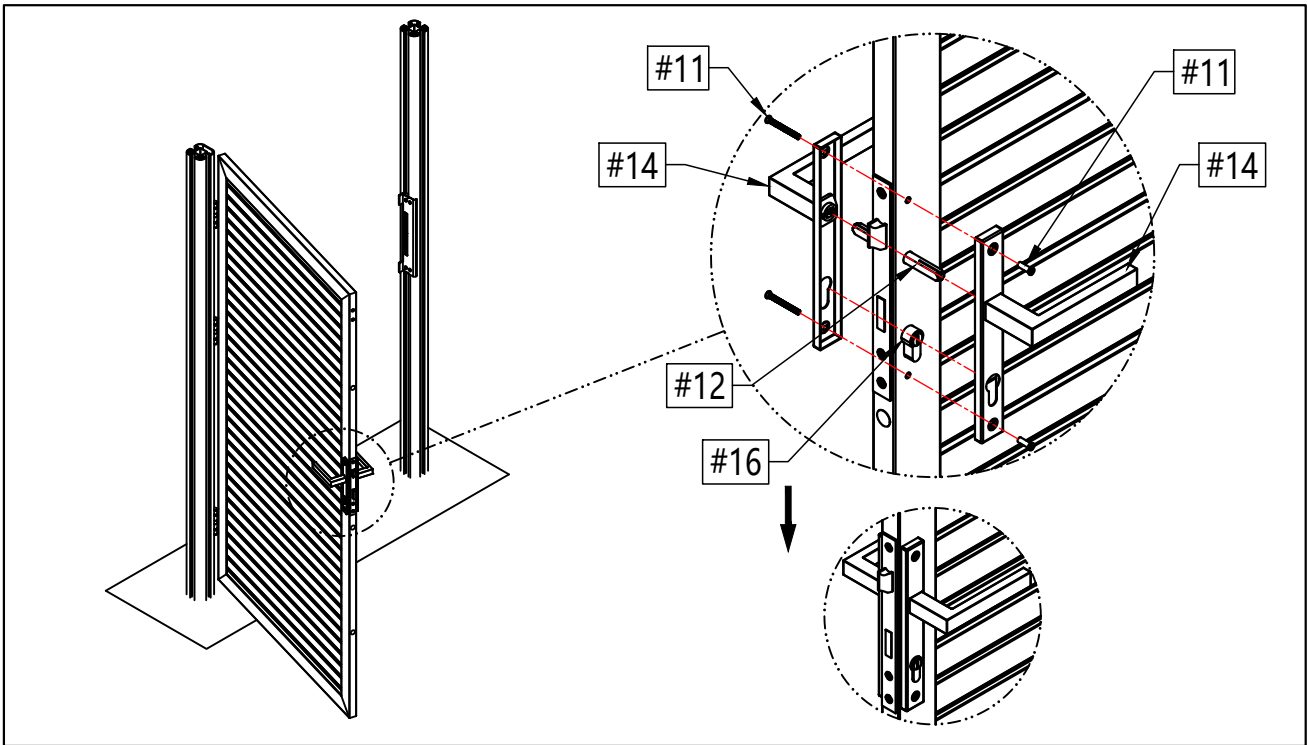


Diagram 13

- 14 Slot the Post Trim (#4) into the posts. Attach the Post Cap (#5) on the top of the posts, as shown in *Diagram 14*.

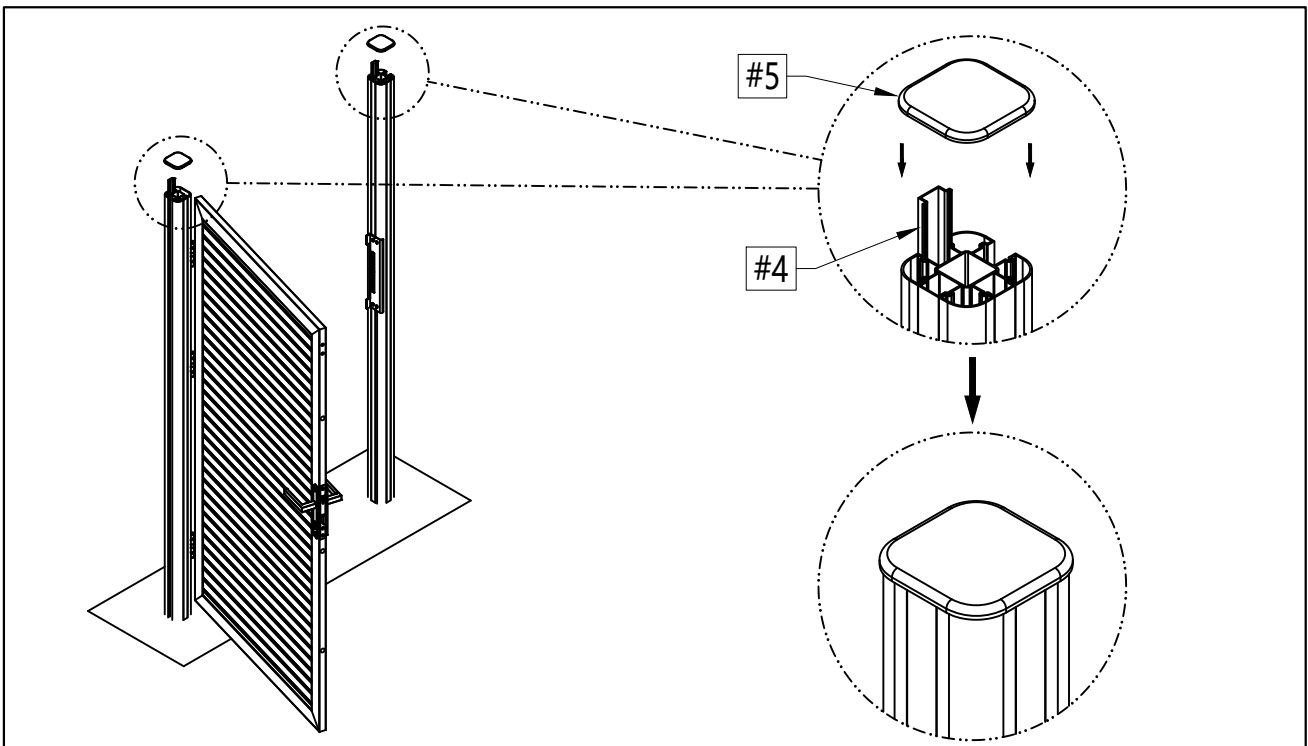


Diagram 14

15 The finished fence gate

Horizontal Fence Gate

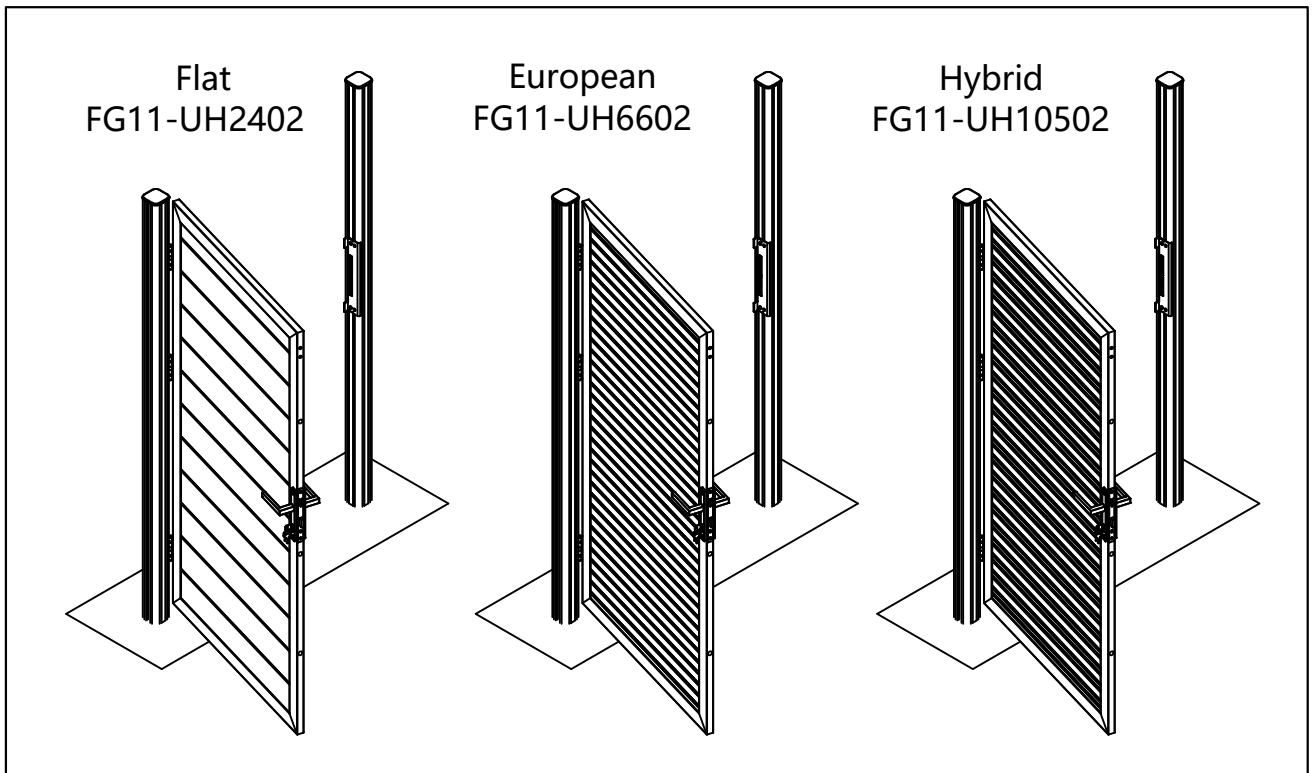


Diagram 15A

Vertical Fence Gate

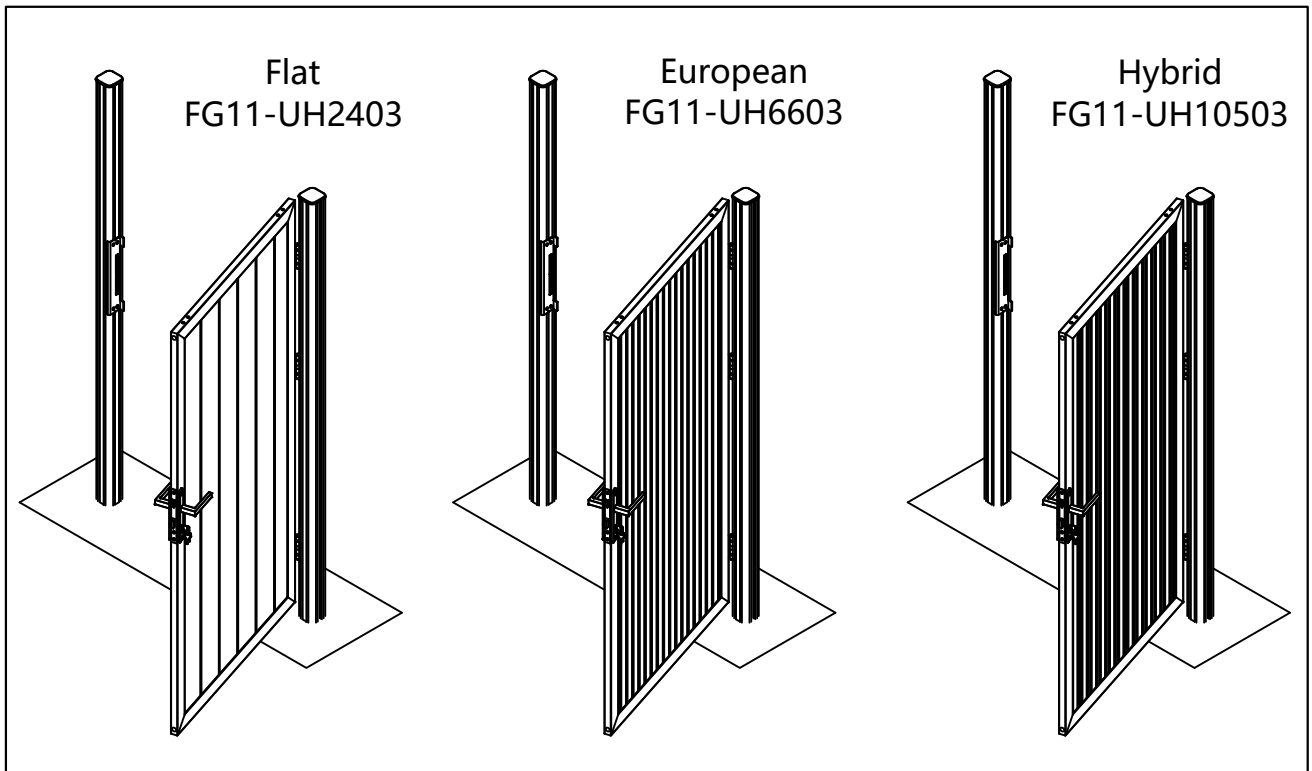


Diagram 15A



NewTechWood®



# Composite Universal Fence Gate Installation Guide

04.08.26 US



© 2026 Newtechwood Corporation

NewTechWood® is a registered trademark of Newtechwood Corporation.

For the latest version of this installation guide, visit us online @ [www.newtechwood.com](http://www.newtechwood.com)