



Installation Brochure

<Chapter — Solid Groove Decking>

(Version 1.1)

- ✧ Before install our NewTechWood products, it is necessary to read the Installation Guide.
- ✧ This Installation Guide is applicable to the solid groove decking only.

Installation Guide of Classic Decking Series

NewTechWood product is of great variety, so you can choose any product as you like. In order to save your precious time and cost, make a budget program according to the construction design at first.

NewTechWood Composite Decking should not be used for columns, beams, joists, support posts or other load bearing segments.

NewTechWood Composite Decking works well with standard woodworking tools:

When installing NewTechWood products, you can use woodworking machinery for cutting, sawing, drilling and so on.

Tools Required

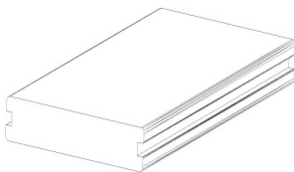
Standard tools: electric saw, churn drill, electric portable drill, driver.



Deck Components

Notes: This installation guide also applicable to BH-2.

1. Decking BH-1 :



2. Joist B-5 :



3. Clip C-4:



4. Clip K-2:



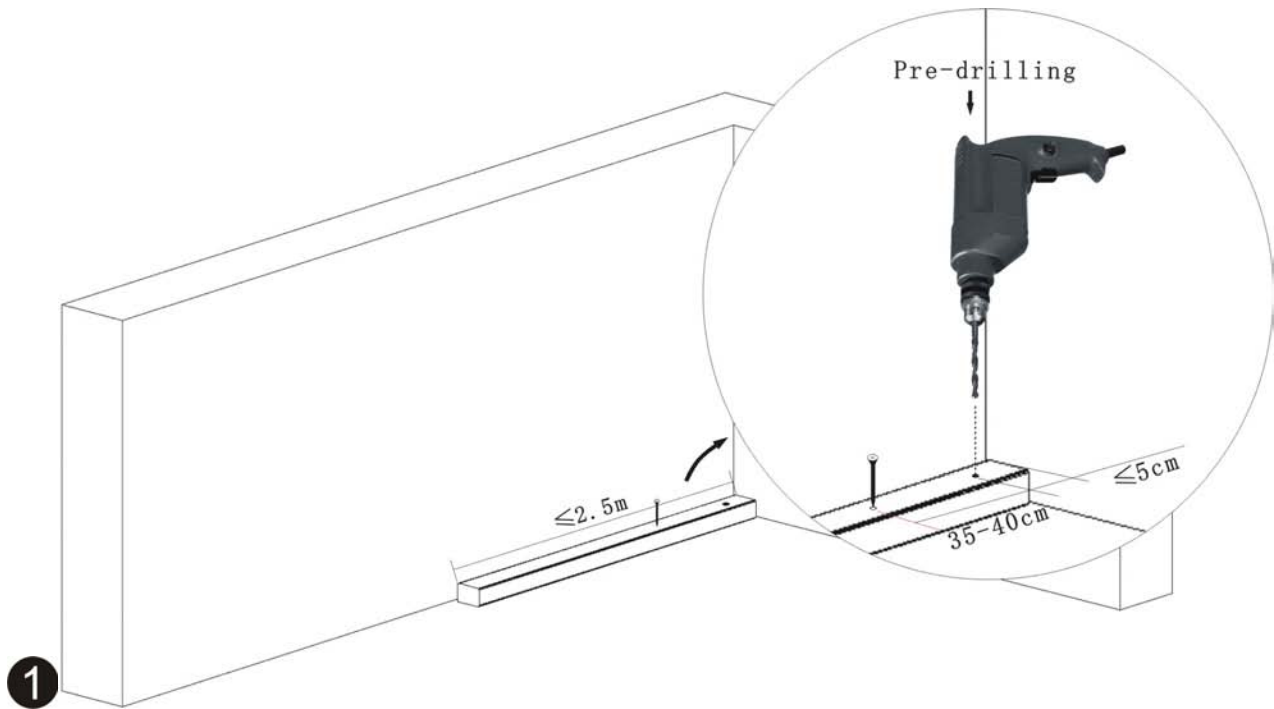
Preparations:

Before start installing, ensure that the ground is solid, smooth (The recommended deviation should less than 5mm) and clean. For muck ground, it is necessary to lay a solid substrate; for the concrete ground, to avoid cracking or subsidence when drilling hole on the joist, you should guarantee their thickness \cong 6cm. Besides, screws must be galvanized or made from stainless steel, ensuring that they won't rust.

The Diagrams and instructions outlined in this guide are for illustration purposes only and are not meant or implied to replace a licensed professional. Any construction or use of NewTechWood Composite Decking must be in accordance with all local zoning and/or building codes. The seller won't assume the direct or indirect risks and liability associated with the violation of the building requirement and installation guide.

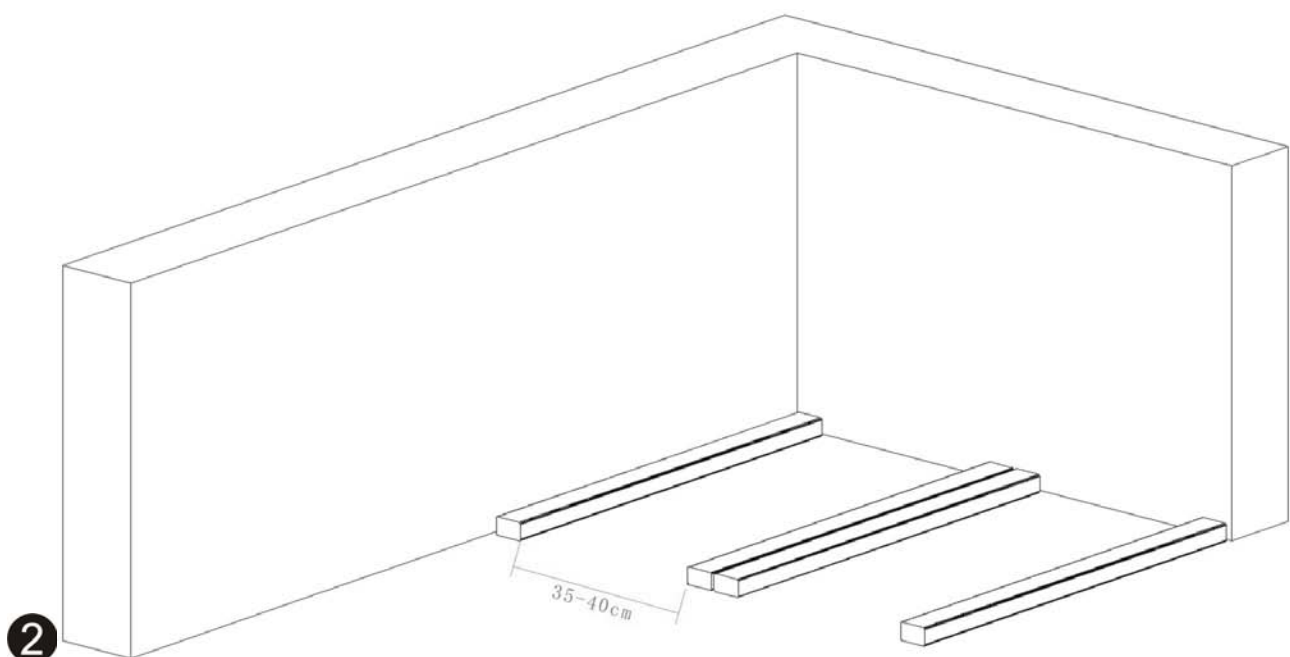
Installing the Joist

1. Start to install the joists along the edge of the ground.



2. **The length and spacing:**

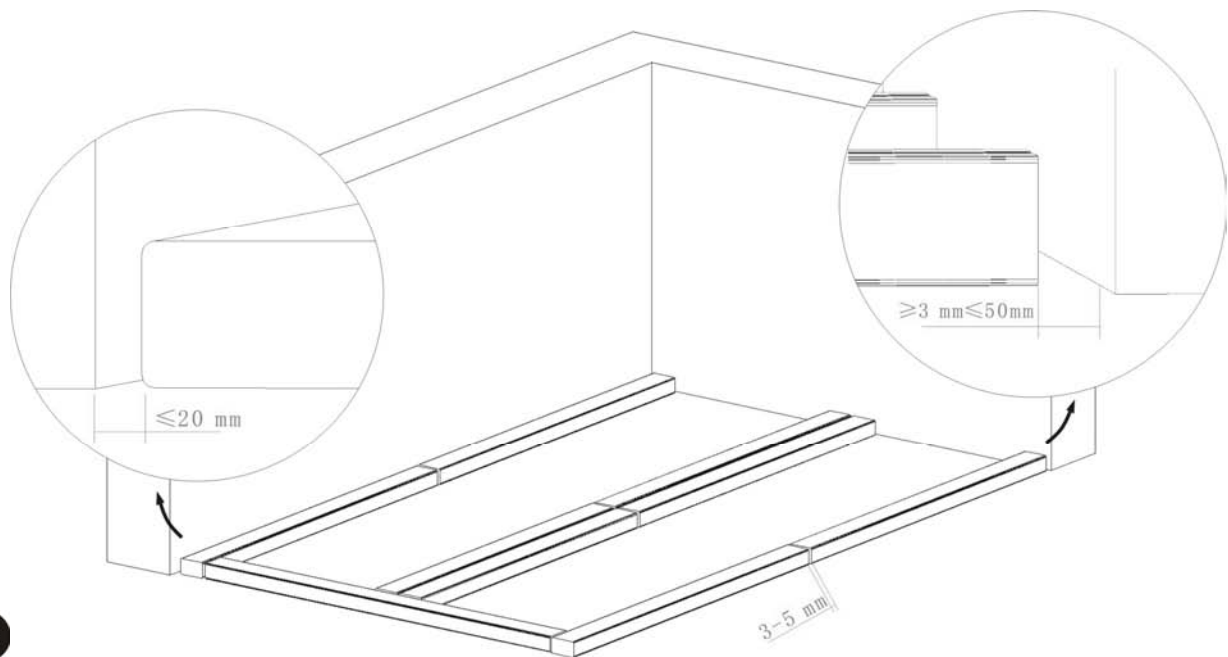
In general, as to parallel joists, the distance of 35-40cm is recommended, also it can be shortened properly if the decking is not vertical to the joists, but the extension of long distance is not allowed for it will be likely to result in deformation of decking.



The Diagrams and instructions outlined in this guide are for illustration purposes only and are not meant or implied to replace a licensed professional. Any construction or use of NewTechWood Composite Decking must be in accordance with all local zoning and/or building codes. The seller won't assume the direct or indirect risks and liability associated with the violation of the building requirement and installation guide.

3. The expansion gap

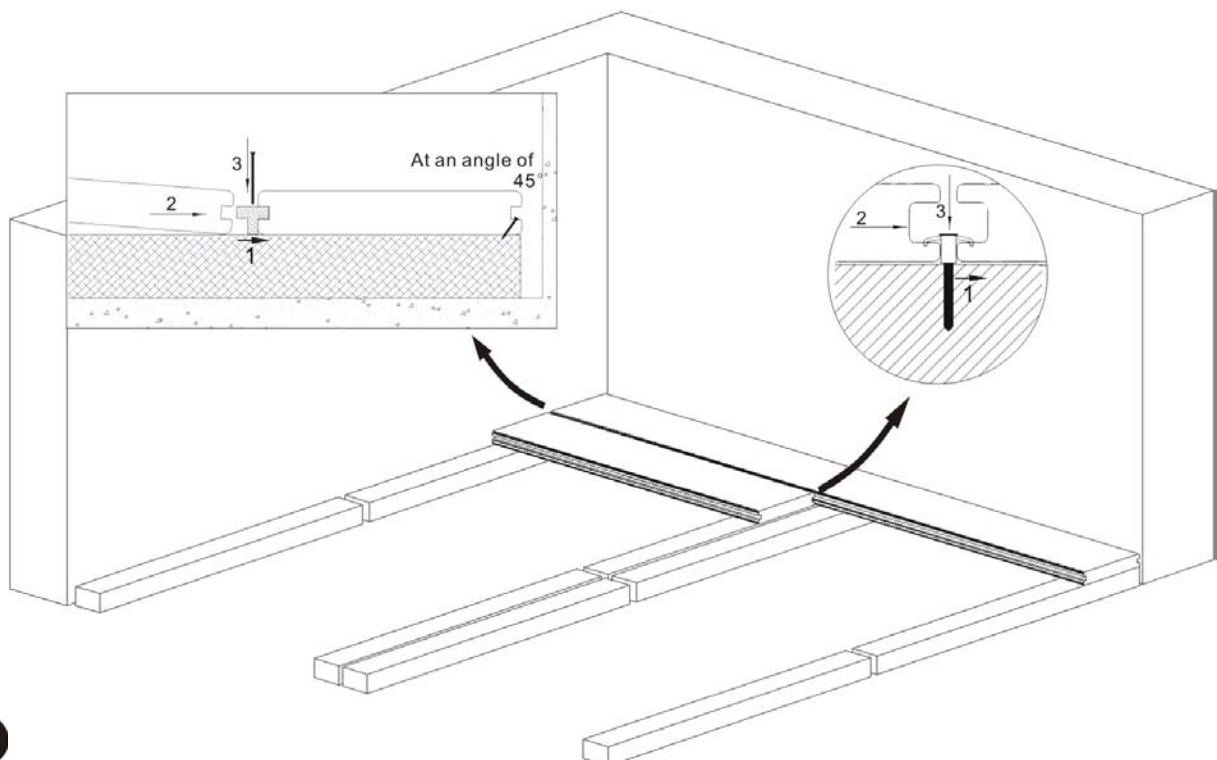
It is essential to make room for transverse expansion gap in advance.



3

Installing the Decking Boards

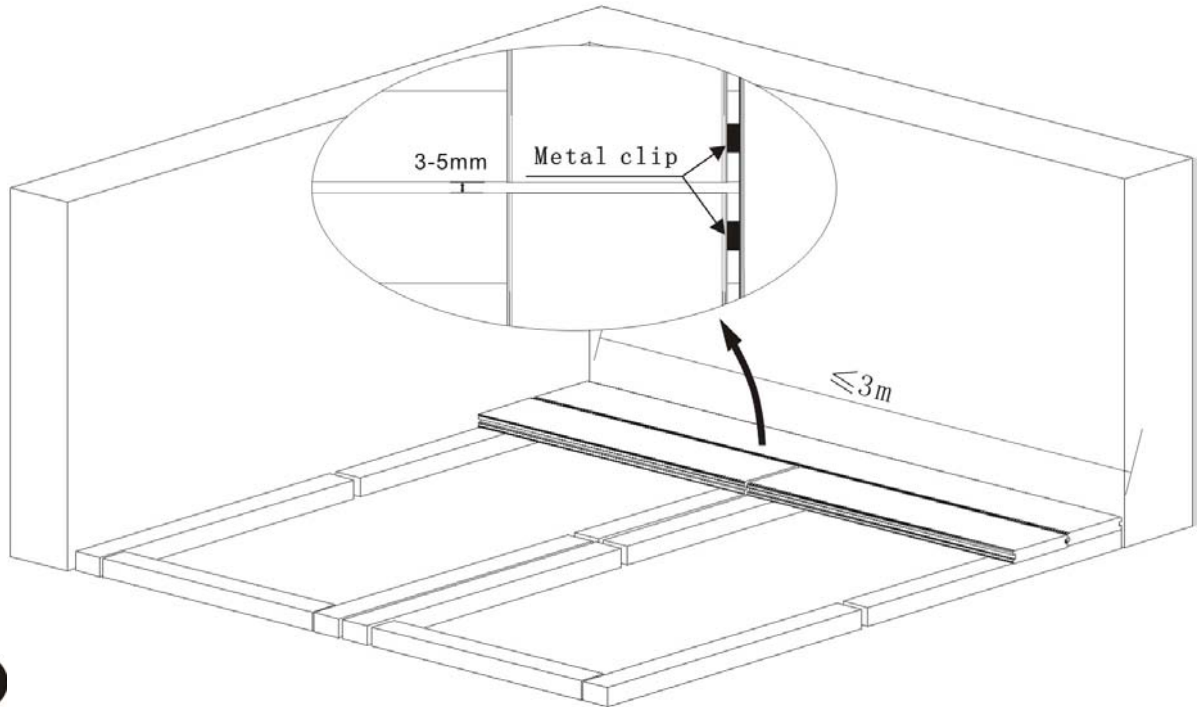
Start to fix the 1st row of decking boards alongside. (Notes: Decks can be installed at a diagonal if boards are placed 12" OC".)



4

The Diagrams and instructions outlined in this guide are for illustration purposes only and are not meant or implied to replace a licensed professional. Any construction or use of NewTechWood Composite Decking must be in accordance with all local zoning and/or building codes. The seller won't assume the direct or indirect risks and liability associated with the violation of the building requirement and installation guide.

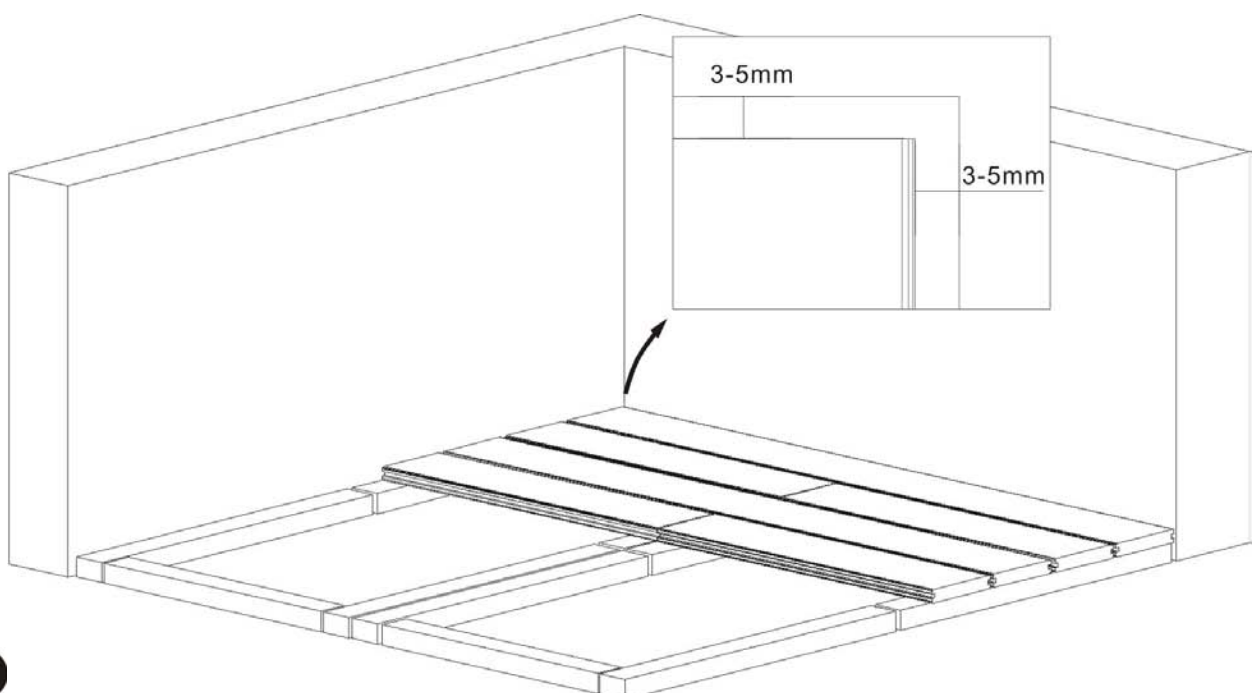
The length of each decking should be less than 3m, and also pay attention to make room for the expansion gap between the decking boards in advance.



5

Common layout

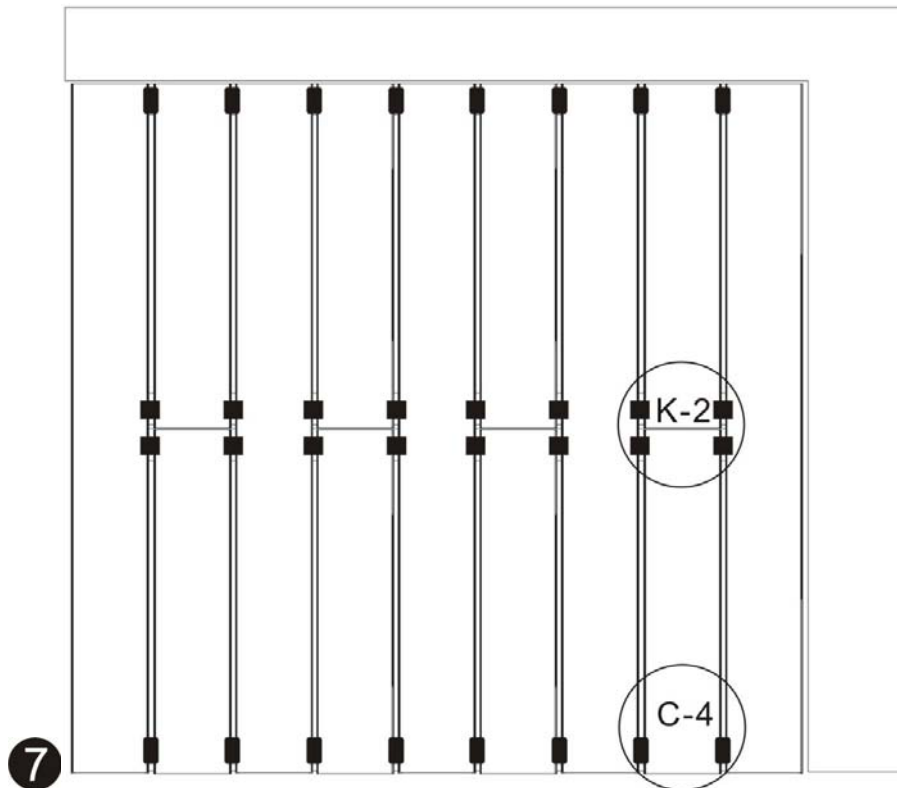
Pay attention: It is essential to make room for expansion gap (3-5mm) in advance. When the decking is installed alongside the wall, the gap distance between the decking and wall should also be 3-5mm.



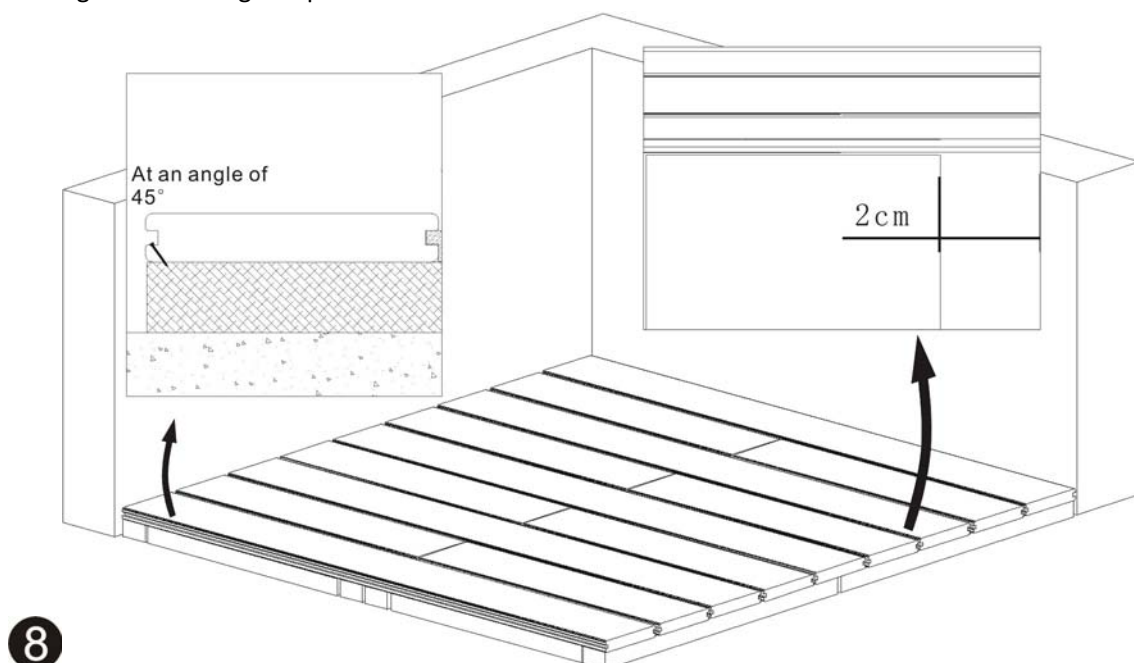
6

The Diagrams and instructions outlined in this guide are for illustration purposes only and are not meant or implied to replace a licensed professional. Any construction or use of NewTechWood Composite Decking must be in accordance with all local zoning and/or building codes. The seller won't assume the direct or indirect risks and liability associated with the violation of the building requirement and installation guide.

The clip K-2 and C-4 are used as both a spacer and a fastener. They're designed to fix the decking boards at an appropriate location, but also conducive to reduce the impact of expansion and contraction effectively and greatly reduced the probability of warping, deformation and other serious defects.

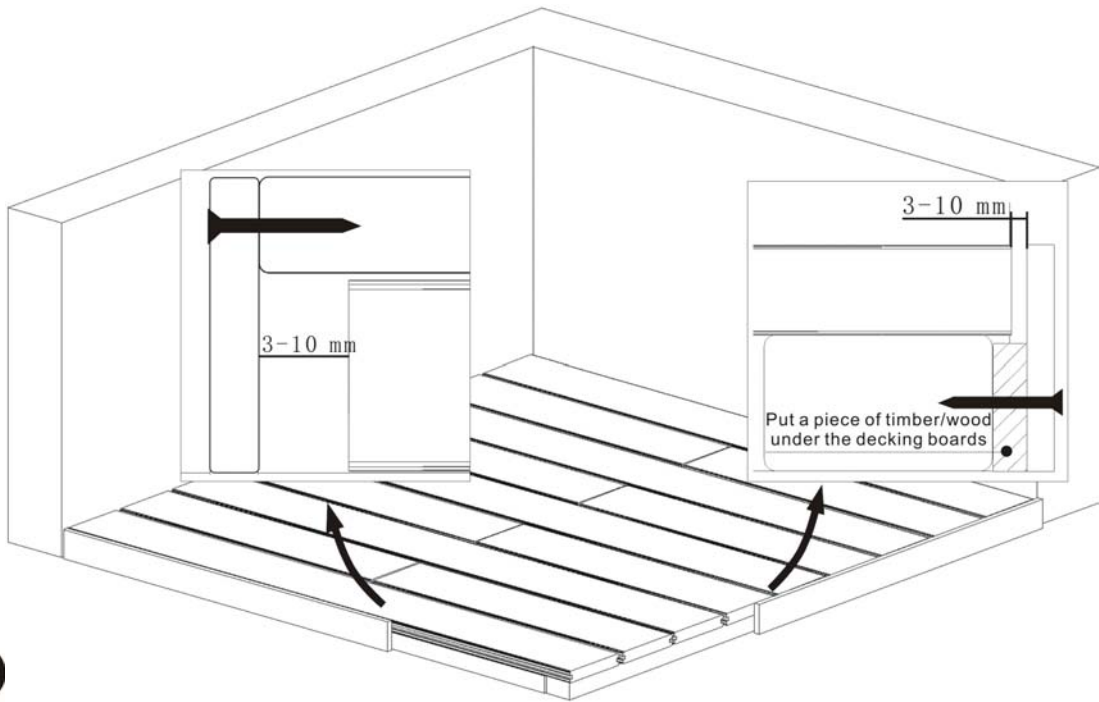


Install the other decking boards as the above procedures. If the decking board is longer than the joist (this may occur when the following situations: on the edge of the joist or just on the lap joint), in that case, the length of the protruding part should be less than 2cm, otherwise it will result in deformation, breakage or other serious defects on the decking when bearing compression.

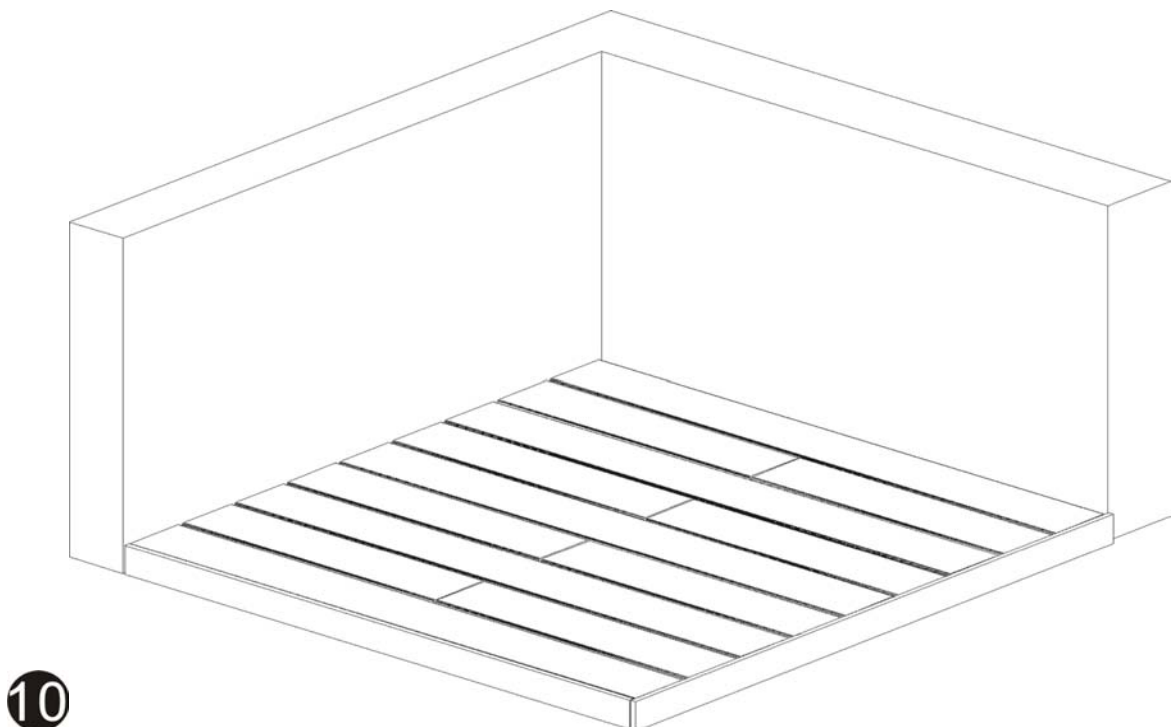


The Diagrams and instructions outlined in this guide are for illustration purposes only and are not meant or implied to replace a licensed professional. Any construction or use of NewTechWood Composite Decking must be in accordance with all local zoning and/or building codes. The seller won't assume the direct or indirect risks and liability associated with the violation of the building requirement and installation guide.

Fascia: NewTechWood Composite Decking offers one type of fascia to embellish the whole framework. If B-5 is used as joist, fascia B-3 is being selected to embellish the whole framework. Usually, the fascia is going to be fixed on the joist or on the decking (either-or), choose either of them, but do not attempt both.



Complete!



The Diagrams and instructions outlined in this guide are for illustration purposes only and are not meant or implied to replace a licensed professional. Any construction or use of NewTechWood Composite Decking must be in accordance with all local zoning and/or building codes. The seller won't assume the direct or indirect risks and liability associated with the violation of the building requirement and installation guide.

- ✦ You have purchased a high-quality lifetime WPC product that will provide you with years of security and comfort. We truly appreciate your business, and we wish you the best of luck with your installation. Please feel free to ask a friendly NewTechWood product specialist if you have any questions.

Meixin Manufacturing Co., Ltd.

Tel: 86-752-8138888

Fax: 86-752-8138889

Email: inquiry@meixin-wpc.com

Address: NGA Industrial Park, Daling, Huidong, Guangdong, PRC

Post Code: 516321

Website: www.newtechwood.com