



NewTech

NewTech Grooved Composite Decking Installation Guide

NewTech Composite Decking is the optimum choice for today's decking needs and installs as easily as traditional wood decking. NewTech's superior decking products are manufactured from plastic and natural fiber are a safe, environmentally responsible alternative to traditional decks, conserving energy and resources.

Engineered to endure harsh weather conditions, NewTech appeals to homeowners and builders not only because of its natural wood appearance, which is enhanced with time, but its unmatched endurance weathers abuse of all sorts including rainstorms, rot, salt, sand and heavy traffic.

NewTech is the perfect choice for all decking applications.

- Prior to installing of any form of decking, it is recommended that you check the local building codes for any special requirements or restrictions.
- NewTech Composite Decking should not be used for columns, beams, joists, support posts or other load bearing segments.
- Failure to follow instructions may void the warranty.

Tools:

- Standard woodworking tools may be used.
- It is recommended that all blades have a carbide tip.
- Standard stainless steel or acceptable coated deck screws and nails are recommended.
- Protective clothing, safety glasses and respiratory protection are recommended.

The Diagrams and instructions outlined in this guide are for illustration purposes only and are not meant or implied to replace a licensed professional. Any construction or use of New Tech Composite Decking must be in accordance with all local zoning and/or building codes. The consumer assumes all risks and liability associated with the construction and use of this product.



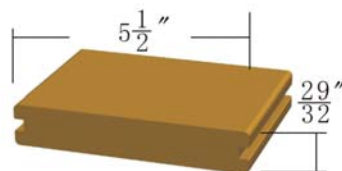
NewTech

Ventilation and Drainage:

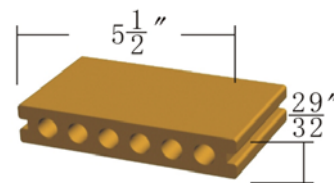
- NewTech Composite Decking requires a minimum of 12" high, continuous airspace below joists as well as along three sides of the deck to allow for cross ventilation.
- Slightly slope the deck (1/16" per foot) away from the house to allow for water run-off.
- When installing a deck over a living space, proper flashing is essential.
- When remodeling an existing deck, to ensure proper water run-off, 1/4" – 3/8" holes may be drilled in each aperture on the underside ends of the voided deck boards.
- Gapping allows for drainage and expansion/contraction of the deck boards. A minimum of 1/16" is suggested. It is recommended not to exceed 3/8".
- Allow at least a 1/4" distance between all decking material and permanent framework or posts to allow for water drainage and expansion/contraction.

Fastening:

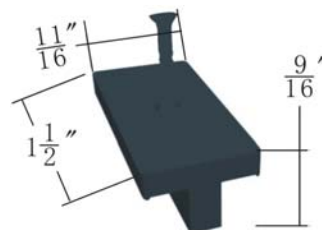
Solid Deck Board with groove. 5 1/2 "x 29/32 "x 12', 16' or 20'



Voided Deck Board with groove. 5 1/2 "x 29/32 "x 12', 16' or 20'



"T" Clip w/ Screw



The Diagrams and instructions outlined in this guide are for illustration purposes only and are not meant or implied to replace a licensed professional. Any construction or use of New Tech Composite Decking must be in accordance with all local zoning and/or building codes. The consumer assumes all risks and liability associated with the construction and use of this product.



Con't □

Our solid composite deck boards come with a two-sided finish, a “Wood Grain” finish or a “Brushed/Straight Line Finish”. Our voided composite deck boards have only one side finished, the “Wood Grain” finish.

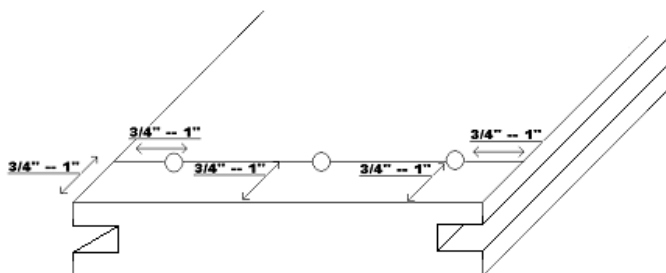
Standard deck screws/nails can be used. Hot-dipped, galvanized, ceramic coated or stainless steel is recommended because they resist rust and stains.

Installation:

The key to successful installation begins with the framing and foundation. For load-bearing employment (hot tubs, planters, grills, etc.), consult a local building engineer for span recommendations.

When fastening the end of the deck boards to the joists it is recommended that a minimum of three (3) nails be used at the end of each board. Screws/Nails should be sunk flush with boards. Do not over drive or leave the nail/screw heads above the top surface of the boards.

Screws/nails should be driven within $\frac{3}{4}$ "-1" from the end and edge of the boards.



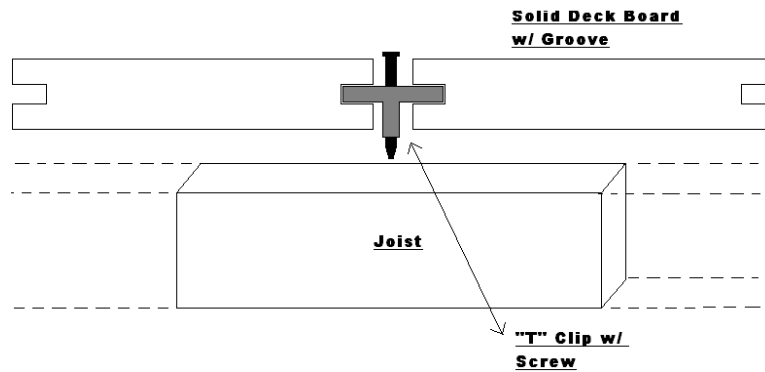
Our grooved boards also allow for our tongue and groove fastening system. The use of nails at the end of each board is still required to reduce possible injury and or non-performance of NewTech Composite Decking which may void the warranty.

The Diagrams and instructions outlined in this guide are for illustration purposes only and are not meant or implied to replace a licensed professional. Any construction or use of New Tech Composite Decking must be in accordance with all local zoning and/or building codes. The consumer assumes all risks and liability associated with the construction and use of this product.

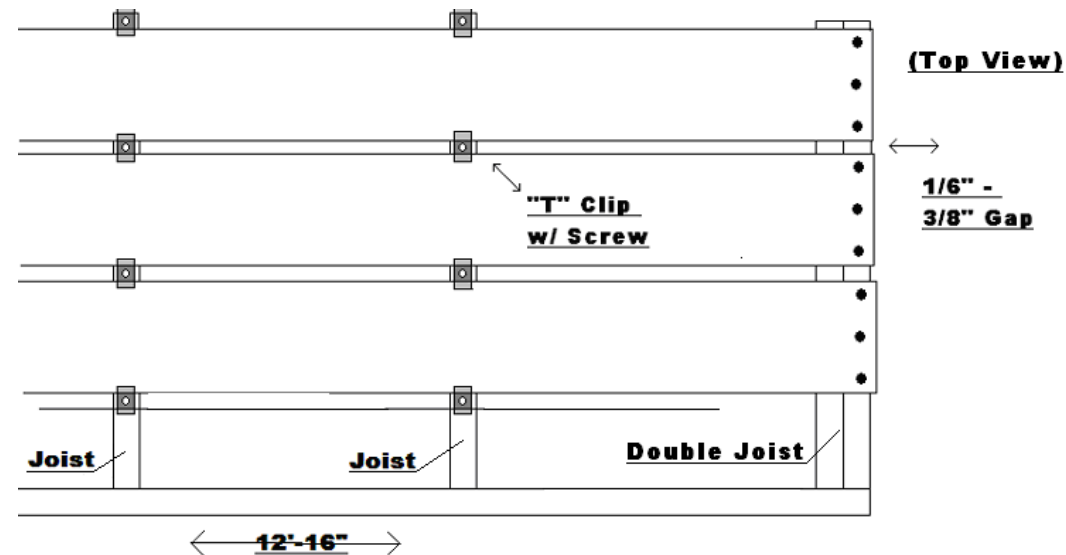


Con't.

Our tongue and groove fastening system is designed as both a spacer and a fastener. Each clip is "T"-shaped and has a screw to fasten the clip at every joist along your grooved deck boards. They are designed to allow for expansion and contraction while holding your board in place.



T-Shaped Handiclip Placement on Joists:



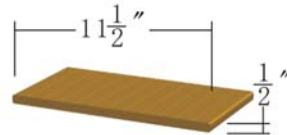
The Diagrams and instructions outlined in this guide are for illustration purposes only and are not meant or implied to replace a licensed professional. Any construction or use of New Tech Composite Decking must be in accordance with all local zoning and/or building codes. The consumer assumes all risks and liability associated with the construction and use of this product.



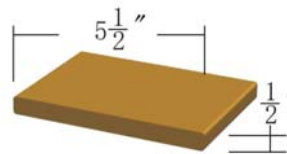
Con't.

NewTech Composite Decking also has two types of fascias, or a corner trim to provide a uniform finish, picture frame your deck or hide the voided ends of the boards.

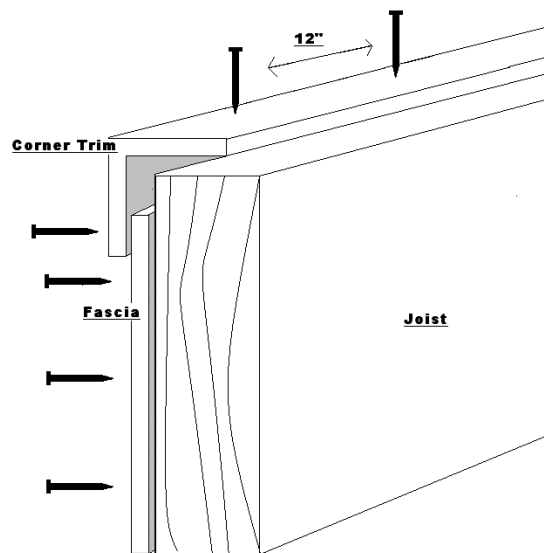
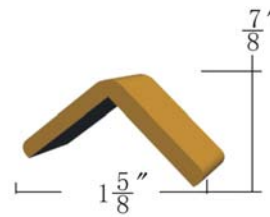
Fascia 11 1/2" x 1/2" x 12', 16' or 20'



Fascia Pickets 5 1/2" x 1/5" x 6', 8', 12' and 16'



Corner Trim 1 5/8" x 7/8" x 12'



The Diagrams and instructions outlined in this guide are for illustration purposes only and are not meant or implied to replace a licensed professional. Any construction or use of New Tech Composite Decking must be in accordance with all local zoning and/or building codes. The consumer assumes all risks and liability associated with the construction and use of this product.



NewTech

Con't.

It is recommended that a minimum of three (3) screws/nails is used for every 12" when fastening the fascia or two (2) screws every 12" when fastening the corner trim.

Cleaning:

NewTech Composite Decking can be cleaned using soap and water, with a stiff bristle brush. If tough stains, ground in dirt or rust stains become a problem, a cleaner that has Oxalic or a Phosphoric Acid Base may be used.

If mold stains appear, any deck-cleaning products that contain Sodium Percarbonate, Sodium Hypochlorite (Bleach) and/or detergent may be used.

If unsure about the product being used to clean/remove stains from your deck, it is recommended that you test a small area in an inconspicuous place to determine if the product will cause any unwanted discoloration.

Commercial pressure washers may be used to remove stains, ground in dirt, or mold. Use a spray nozzle; do not use a steam nozzle. Use cold water and keep the spray nozzle at least one foot away from the deck. It is also recommended that you not exceed 1,500 PSI.

Color Variations:

NewTech Composite Decking and Railing will have slight color variations. This is a natural occurrence in the fibers and polymers used in the manufacturing process.

Due to variations in the manufacture runs, it is recommended that all required composite decking materials be purchased at the same time and an allowance for overage is recommended. NewTech Composite Decking and Railing will lighten over time and color variations are not covered under the warranty.

We do not recommend sanding your deck to remove stains or scratches. Sanding may produce an unwanted color variation and will change the appearance of the finish of your composite deck.

The Diagrams and instructions outlined in this guide are for illustration purposes only and are not meant or implied to replace a licensed professional. Any construction or use of New Tech Composite Decking must be in accordance with all local zoning and/or building codes. The consumer assumes all risks and liability associated with the construction and use of this product.



NewTech

Warranty

NewTech Composite Decking and Railing comes with a 20-year limited warranty that provides comprehensive coverage against splintering, splitting, rot or decay, and termite damage.

For more information on our warranty please call (888) 359 - 2288

The Diagrams and instructions outlined in this guide are for illustration purposes only and are not meant or implied to replace a licensed professional. Any construction or use of New Tech Composite Decking must be in accordance with all local zoning and/or building codes. The consumer assumes all risks and liability associated with the construction and use of this product.